

Stub axles | working ground

The appropriate solution

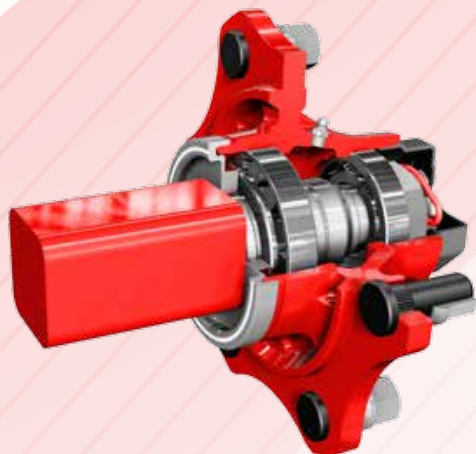
Colaert Essieux produce also the stub axles and gives all the range of classic axles as well as his knowledge for the benefit of the requirements of each manufacturers.

“... the most specific requests of realization”

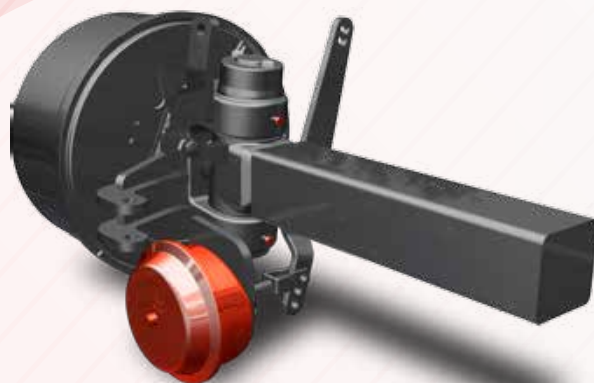


We can produce stub axles with round beam, square (of 35 to 150 mm), with specific machining, braked or unbraked, standard or steering axle, with possibilities of lubrication and tightness adapted.

Our technical department is available to reply by the best technical solution, in the most specific requests of realization.



Half axle with grease nipple and reinforced seal.



Steering half axle, using special components requested by the customer.



Colaert Essieux