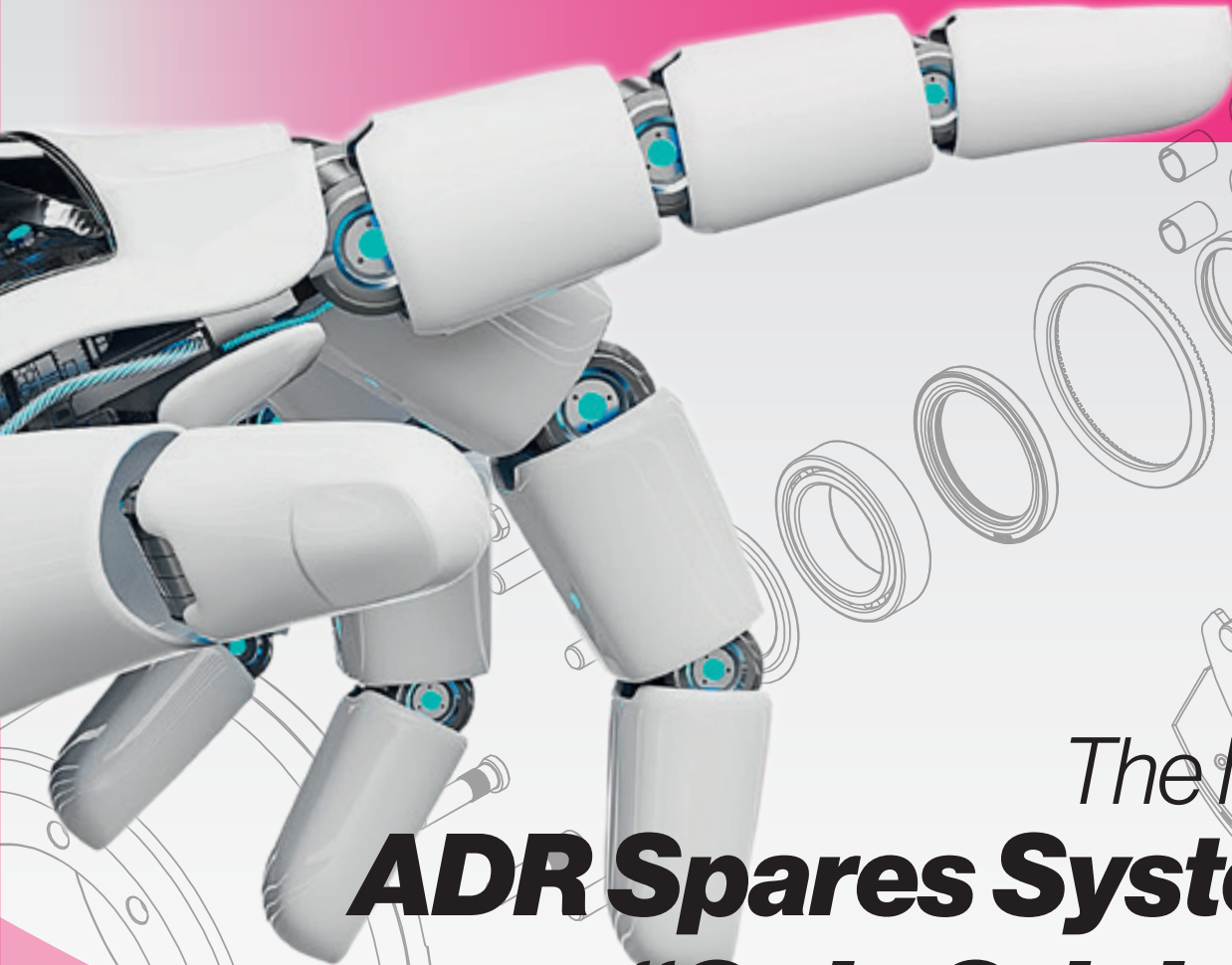




Machines will feel
the difference



The New
ADR Spares System
“Only Original”

October 2021 Edition



moving innovation



The New Spares System "Only Original"



The **OK Spare Parts Service** by ADR Group is now available also on line for your orders.

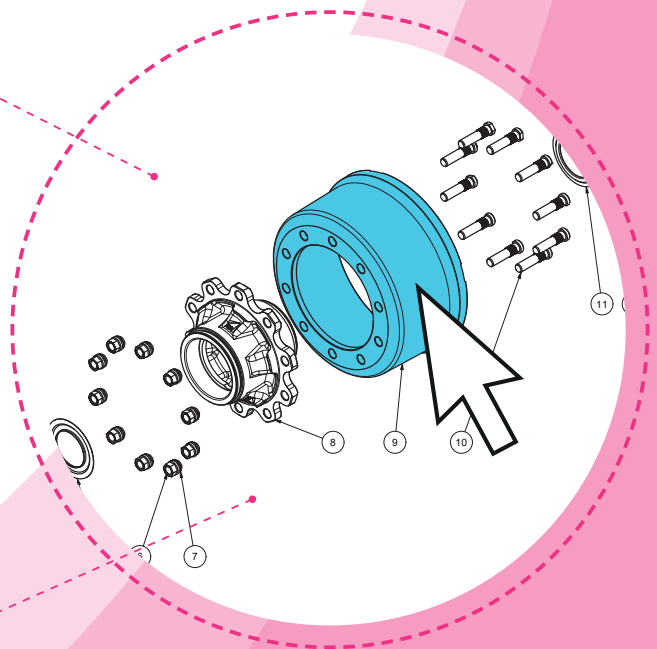
Register at **www.adraxles.com** and apply to the on-line spare parts catalogue.

The **serial number** of your ADR axle is enough.

You will find it on the identification plate of the axle.

The serial number is the **key** which opens you the access to the components of your ADR axle.

Point the item you need and it will be selected to be added to your **shopping cart**.



You're **ready** to state the **order** now **easy**!

Isn't it? But it will even **easier** in the future.

New facilities are in progress to support your job, don't miss the news on the website.

The ADR RFID TEKNOAX 2.0

is the ADR App that allows you to have the axles history and the exploded components on the fly.

Download Now!



Indice

Index
Inhaltsverzeichnis
Sommaire



ADR - RCI09/2021

Axle type	BA.....	pg.05	Axle type	4T.....	pg.49
	DA.....	pg.06		4V.....	pg.50
	GA.....	pg.07		4Y.....	pg.51
	IA.....	pg.08	Wheel studs		pg.52
	JA.....	pg.09	Wheel nuts		pg.54
	JR.....	pg.10	Brake	200X40 - 20M - BA.....	pg.56
	KA.....	pg.11		250X40 - 250 - CA.....	pg.57
	LA.....	pg.12		250X60 - 256E - DA.....	pg.58
	LR.....	pg.13		250X60 - 256E - DF, DH, DL.....	pg.59
	MA.....	pg.14		300X60 - 306E - FC, FD, FG.....	pg.60
	MR.....	pg.15		300X60 - 306E - FF, FJ, FK.....	pg.61
	NA.....	pg.16		300X90 - 30S - IA.....	pg.62
	NI.....	pg.17		300X90 - 309E - IC, IN.....	pg.63
	NR.....	pg.18		300X90 - 9IM - IX, IY.....	pg.64
	QI.....	pg.19		350X60 - 35G - NA.....	pg.65
	RM.....	pg.20		350X60 - 356E - NF.....	pg.66
	RR.....	pg.21		350X80 - 35S - QA.....	pg.67
	RF.....	pg.22		350X90 - 359E - QC, QF.....	pg.68
	TN.....	pg.23		400X80 - 40G - TA.....	pg.69
	TR.....	pg.24		400X80 - 408E - TG.....	pg.70
	TF.....	pg.25		400X80 - 408E - TC.....	pg.71
	TE.....	pg.26		406X120 - 406A - VD.....	pg.72
	TG.....	pg.27		406X120 - 406E - VE.....	pg.73
	UA.....	pg.28		300X100 - 310S - JA.....	pg.74
	UF.....	pg.29		300X135 - 314S - KA.....	pg.75
	UI.....	pg.30		300X100 - 310E - JB.....	pg.76
	VF.....	pg.31		300X100 - 310E - JF.....	pg.78
	PB.....	pg.32		300X135 - 314E - KB.....	pg.80
	PL.....	pg.33		300X135 - 314E - KF.....	pg.82
	ZA.....	pg.34		300X160 - 316 - PA.....	pg.84
	ZL.....	pg.35		300X160 - 316 - PG.....	pg.86
	WA.....	pg.36		300X200 - 3020S - MC.....	pg.88
	PA.....	pg.37		300X200 - 3020S2 - MM.....	pg.90
	RW and RJ.....	pg.38		406X120 - 412S - VA.....	pg.92
	XL and XJ.....	pg.39		406X120 - 412E - VC.....	pg.94
	1H.....	pg.40		406X140 - 414S - WA.....	pg.96
	1P.....	pg.41		406X140 - 414E - WC.....	pg.98
	1R.....	pg.42		420X180 - 4218S - XA (axle RW, VF, XL).....	pg.100
	1T.....	pg.43		420X180 - 4218S - XA (axle RJ, VJ, XJ).....	pg.102
	1V.....	pg.44		420X180 - 4218E - XC.....	pg.104
	1Y.....	pg.45		420X180 - 4218E - XU.....	pg.106
	4H.....	pg.46		420X200 - 4220S - YA (axle RW, VF, XL).....	pg.108
	4P.....	pg.47		420X200 - 4220S - YA (axle RJ, VJ, XJ).....	pg.110
	4R.....	pg.48		420X200 - 4220E - YC.....	pg.112



Indice

Index
Inhaltsverzeichnis
 Sommaire

Brake 16,5"x7" - 4515 - YW.....	pg.114
16,5"x8" - 4516Q - YL.....	pg.116
520X180 - 5218E - ZE.....	pg.118
300X60 - 306R - FS.....	pg.120
300X90 - 309R - IT (till 2016).....	pg.121
300X90 - 309R - IT (from 2016).....	pg.122
300X90 - 309R - IR.....	pg.123
300X90 - 309T - IM.....	pg.124
350X90 - 359R - QR.....	pg.125
400X80 - 40GA - TR.....	pg.126

A.B.S.	pg.127
Brake cylinders	pg.132
Steering axles SM.....	pg.134
ST.....	pg.135
SW.....	pg.136
Cylinders.....	pg.138
Coupling bars.....	pg.141
Shock absorbers.....	pg.141
Conversion of steering axle.....	pg.144

ONLY ORIGINAL

Ogni singolo componente è parte di un sistema armonico di organi meccanici. Solo la competenza e l'esperienza del costruttore possono guidare l'utente nella scelta dei ricambi appropriati.

Nel nuovo sistema only original di ADR, le parti di ricambio sono organizzate in famiglie e sono disponibili in pratiche confezioni. Si tratta di kit nei quali sono inclusi tutti i componenti che concorrono al ripristino della funzionalità di ogni singolo organo meccanico con la garanzia A.D.R., di avere a portata di mano tutto ciò che vi occorre per l'intervento di manutenzione.

Ogni confezione è corredata, in aggiunta al codice del kit, di un esploso in vista assonometrica dell'organo meccanico al quale si riferisce, perché l'operatore possa individuare più facilmente il prodotto ADR al quale il kit di ricambio si riferisce.

Usufruire dei vantaggi del sistema ricambi only original è semplice e rapido:

- Leggete il codice del vostro asse o della vostra sospensione sulla targhetta che tutti i prodotti ADR hanno.
- Se avete una copia del catalogo only original di ADR, individuate la famiglia di ricambi e chiamate un centro assistenza del gruppo ADR.
- Se non disponete del catalogo, limitatevi a comunicare il codice del vostro asse o della vostra sospensione al centro assistenza ADR, che sarà in grado di individuare i componenti di cui avete bisogno e vi consiglierà il kit only original che vi occorre.
- Se non riuscite a leggere la targhetta, chiamate comunque il centro assistenza ADR, che vi aiuterà ad individuare il tipo di prodotto ADR montato sul vostro veicolo e vi consiglierà il kit only original.

"Only original" di ADR è un vantaggio durevole nel tempo e rende la vostra macchina sicura per tutta la sua vita.

La vostra macchina è sempre originale, e la sua affidabilità vi ripagherà dell'attenzione che avete avuto perché essa conservi le sue caratteristiche nel tempo.

Se poi le vostre esigenze di lavoro vi faranno optare per una nuovo veicolo, la valutazione di un usato dotato di assi e sospensioni ADR non solo farà la differenza, ma renderà la vostra macchina competitiva sul mercato anche fuori dai confini nazionali, perché la rete di distribuzione ADR è al vostro servizio in tutta Europa.

ONLY ORIGINAL

All the spares needed for a specific axle in one package. It is only the manufacturer who can help you choose the right spare parts for his machine.

The new system "only original" by ADR offers groups of spare parts, organized and supplied in complete packaging. Each kit includes all the spares needed to implement the original function to the each mechanical part and assurance by ADR that all you need for maintenance which is ready and handy.

Every kit has an identification code and shows on its packaging a detailed diagram, to help the operator to easily recognize which ADR product the kit belongs to.

To enjoy the advantages of the "only original" spare part system by ADR is easy and quick:

- Look for the code on the identification plate of your ADR axle or suspension.
- Identify the group of spare parts using the ADR "only original" catalogue, then call an ADR Service centre to place the order.
- If you don't have the catalogue, tell the code number to the ADR Service operator who will identify the components you need and will suggest to you an "only original" kit fit for your purpose.
- If you cannot read the identification plate on the ADR product, call anyway the ADR Service centre and the operator will help you to identify your ADR product and will suggest the "only original" kit you need.

"Only original" by ADR gives you the long lasting advantage and assurance of safety of your machine throughout its working life.

Your machine is always original, its reliability will reward you for the attention you gave to its maintenance.

If in the future you need to buy a new machine, the second hand value of the old one will be increased because of the A.D.R. equipment, not only in the domestic market, but also abroad, because the ADR service net is operating all over Europe.

ONLY ORIGINAL

Alle Komponenten einer mechanischen Einheit bilden ein harmonisches System. Nur die Erfahrung und das Wissen des Herstellers kann dem Endverbraucher dabei helfen die richtigen Ersatzteile fuer seine Maschine zu waehlen.

Das neue System "only original" von ADR bietet Ihnen eine grosse Vielfalt von Ersatzteilen, geordnet und geliefert in einer perfekten Verpackung. Jedes Set enthaelt alle Komponenten um die urspruengliche Funktion aller mechanischen Teile und die Haftung von ADR auf alles was Sie brauchen fuer einen schnellen und einfachen Service.

Jedes Set hat einen Identifizierungscode und zeigt auf seiner Verpackung eine detaillierte Zeichnung, um die Handhabung zu erleichtern und die ADR Produkte zu erkennen die zu diesem Set gehoeren.

Die Vorteile des "only original" Erstatzteilsystems von ADR zu geniessen ist einfach und schnell fuer Sie:

-Sehen Sie auf das Typenschild auf Ihrer ADR Achse oder Federung.

-Identifizieren Sie die Familie der Ersatzteile unter Zuhilfenahme des ADR "only original" Kataloges, danach rufen Sie ein ADR Service Center an um eine Bestellung aufzugeben.

-Wenn Sie den Katalog noch nicht haben, geben Sie bitte die Code Nummer Ihres Produkts dem ADR Service Mitarbeiter und er wird die Komponenten identifizieren die Sie benoetigen und den "only original" Kit fuer Ihren Bedarf empfehlen.

-Wenn Sie das Typenschild auf Ihrem ADR Produkt nicht meher lesen koennen, rufen Sie in jedem Fall das ADR Service Center an: unser Mitarbeiter wird Ihnen dabei helfen Ihr ADR Produkt zu identifizieren und das "only original" Kit empfehlen welches Sie benoetigen.

Nur "only original" von ADR bietet Ihnen einen langhaltenden Vorteil und erhaelt die Sicherheit Ihrer Maschine waerend der gesamten Einsatzdauer.

Ihre Maschine bleibt immer original und die Zuverlaessigkeit wird Sie fuer die Aufmerksamkeitsentschaedigen die Sie bei der Wartung geleistet haben.

Wenn Ihre Arbeitsauslastung Sie dazu fuehrt eine neue Maschine zu kaufen, wird der Gebrauchtwert Ihrer alten Maschine Ihnen den Vorteil des ADR Kubehoers aufzeigen. Dies nicht nur im heimischen Markt, sondern auch ueberregional, denn das ADR Service Netz arbeitet in ganz Europa.

ONLY ORIGINAL

Chaque composant est une partie d'un système harmonieux d'organes mécaniques. La compétence et l'expérience du constructeur peuvent conduire l'utilisateur à choisir les pièces détachées appropriées.

Dans le nouveau système "only original" de ADR, les pièces sont classées par famille et disponibles en emballages pratiques. Il s'agit de kits comprenant tous les composants nécessaires au reconditionnement d'un organ particulier où ADR vous assure que vous avez sous la main tout le nécessaire pour la maintenance.

Pour faciliter la choix du kit ADR approprié, chaque emballage comprend:

·le code du kit

·un plan éclaté portant le repérage des composants du kit.

Bénéficier des avantages du système "only original" est simple et rapide:

·Lire le code de votre essieu ou suspension sur la plaquette fixée sur les produits ADR.

·Si vous possédez un catalogue "only original" déterminer la famille de pièces détachées et appeler un centre du service après vente ADR.

·Si vous ne possédez pas de catalogue, donner au centre de service ADR, le code de votre essieu ou de votre suspension, le technicien pourra déterminer le produit ADR et vous conseiller le kit "only original" approprié.

· Si la plaquette est illisible, appeler le centre de service ADR, que vous aidera à identifier produit et vous conseiller le kit "only original".

"Only original" de ADR est un avantage qui vous permet d'utiliser une machine toujours sure.

Votre machine sera toujours d'origine, sa fiabilité sera la conséquence de votre attention.

Dans le cas de renouvellement de votre matériel, votre matériel d'occasion équipé d'essieux et suspensions ADR gardera, en plus des avantages techniques, une valeur sûre compte tenu que ADR possède une organisation de centre de service après vente partout en Europe.



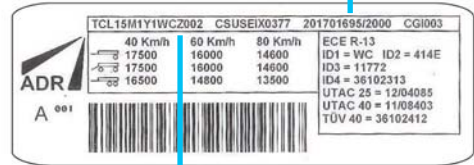
Indicazioni per la lettura della targhetta identificativa del prodotto

How to read the identification plate
 Erklärung lieber die Achsenplakette
 Pour lire la plaquette d'identification

Fabbricante
 Manufacturer
 Hersteller
 Fabricant

Lotto di produzione
 Production lot
 Produktionsanteil
 Lot de production

ADR	AA1UA1VCN001	202721005
ATIVA	25 40 60 105KM	
-b	JKG10000 9000 8500 7500	
○L	JKG12000 10500 9500 9000	
-L	JKG 9000 8500 7500 7000	
412S	13880 10000 9000	
	AL199.1 TDB0609 TDB0609	



Axle	A	A1	UA	1	VC	N001
Teknoax	TA	13H	1T	1	VC	N001
Steering axle	C7	A1	UA	1	VC	N001
Steering axle Teknoax	TC7	13H	1T	1	VC	N001

Codice ADR
 ADR code
 ADR Art.-Nr.
 ADR code

A
 Asse - Axle - Achse - Essieu

S
 Semiassa - Stubaxle
 Achsstummel - Demi essieu

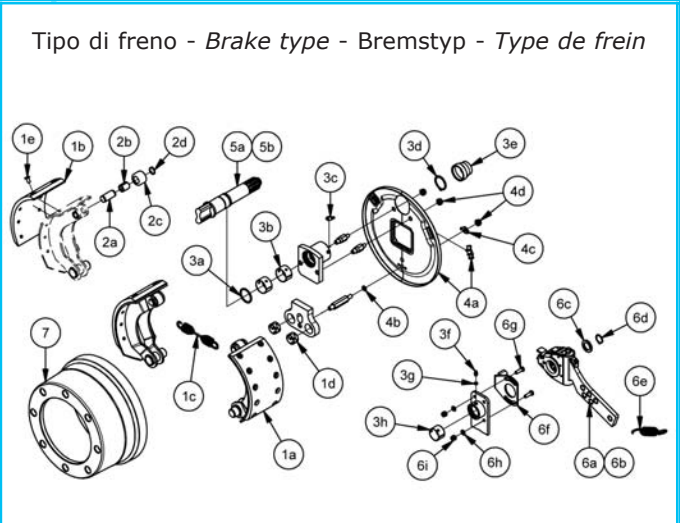
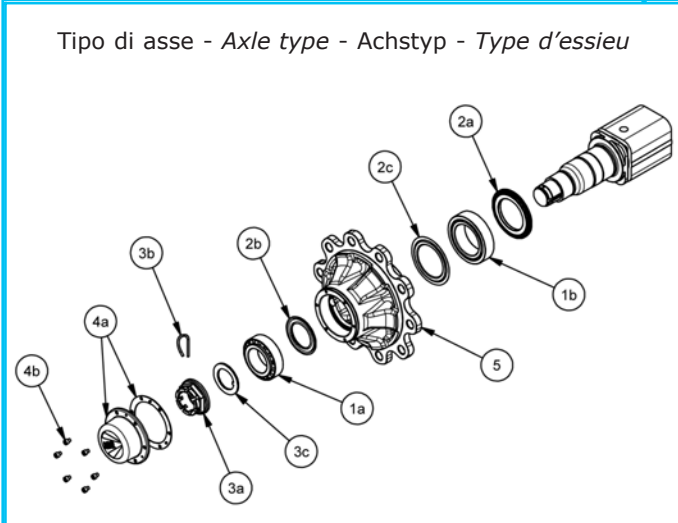
B..., C...
 Asse sterzante - Steering axle
 Lenkachse - Essieu suiveur

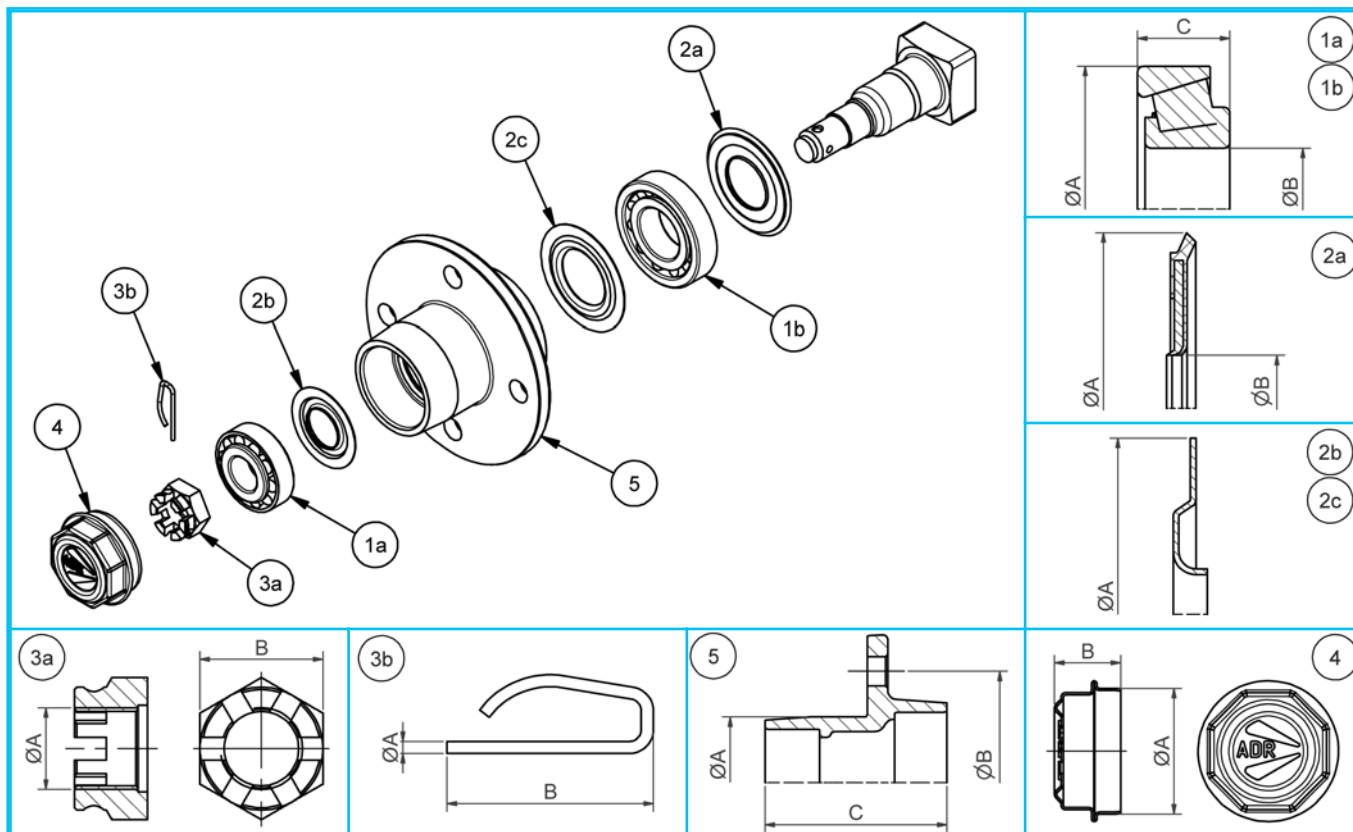
T
 Teknoax

Attacco ruota - P.C.D.
 Radanschluss - Fixation de roue

B4 or **B** = 4 holes 62/95
F4 or **4** = 4 holes 58/98
G4 or **A** = 4 holes 60/100
T4 or **C** = 4 holes 84/130
05 or **5** = 5 holes 94/140
G5 or **G** = 5 holes 66/112
06 or **6** = 6 holes 160/205
08 or **8** = 8 holes 220/275
10 or **1** = 10 holes 280/335
1R or **R** = 10 holes 175.8/225

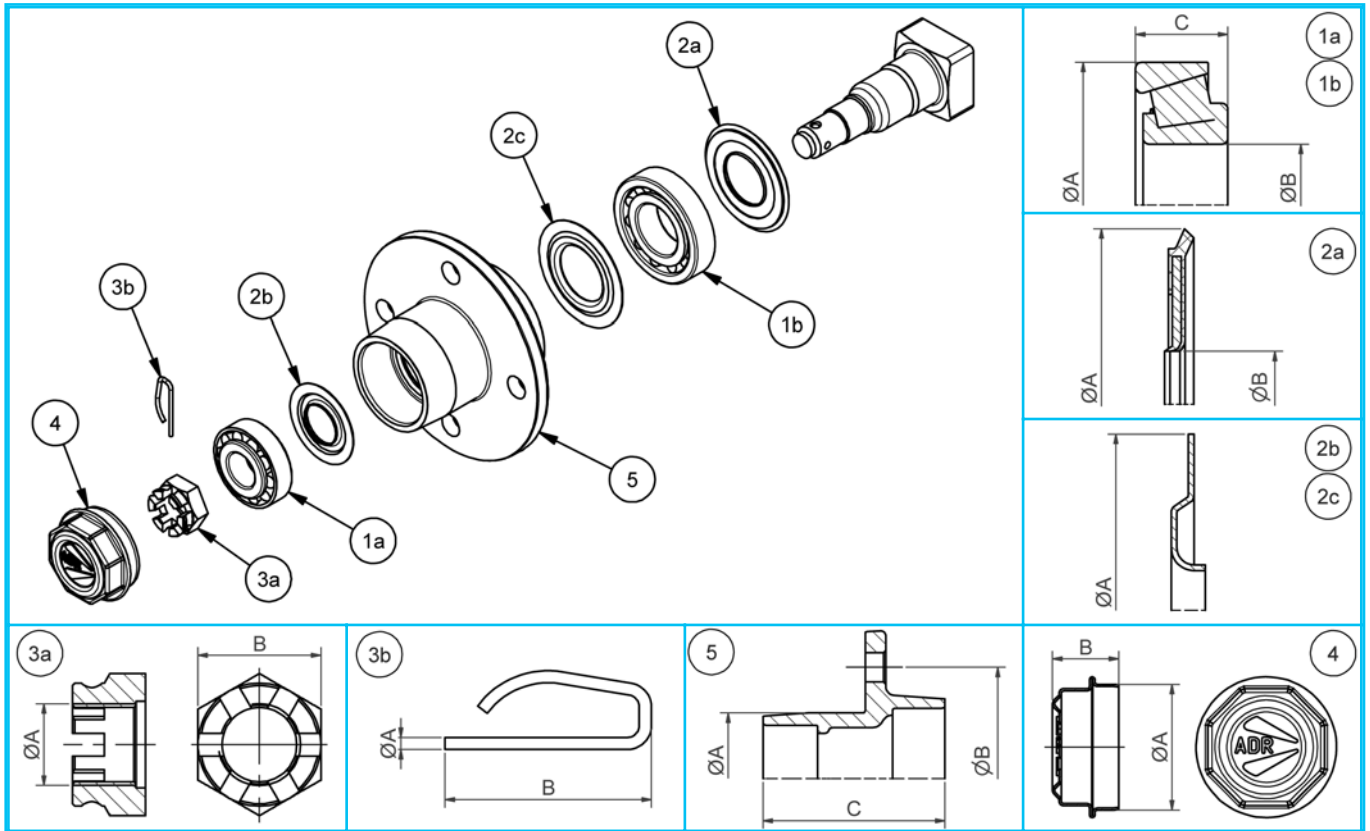
Codice corpo asse - Beam type code
 Achskoerperbezeichnung - Code du corps d'essieu



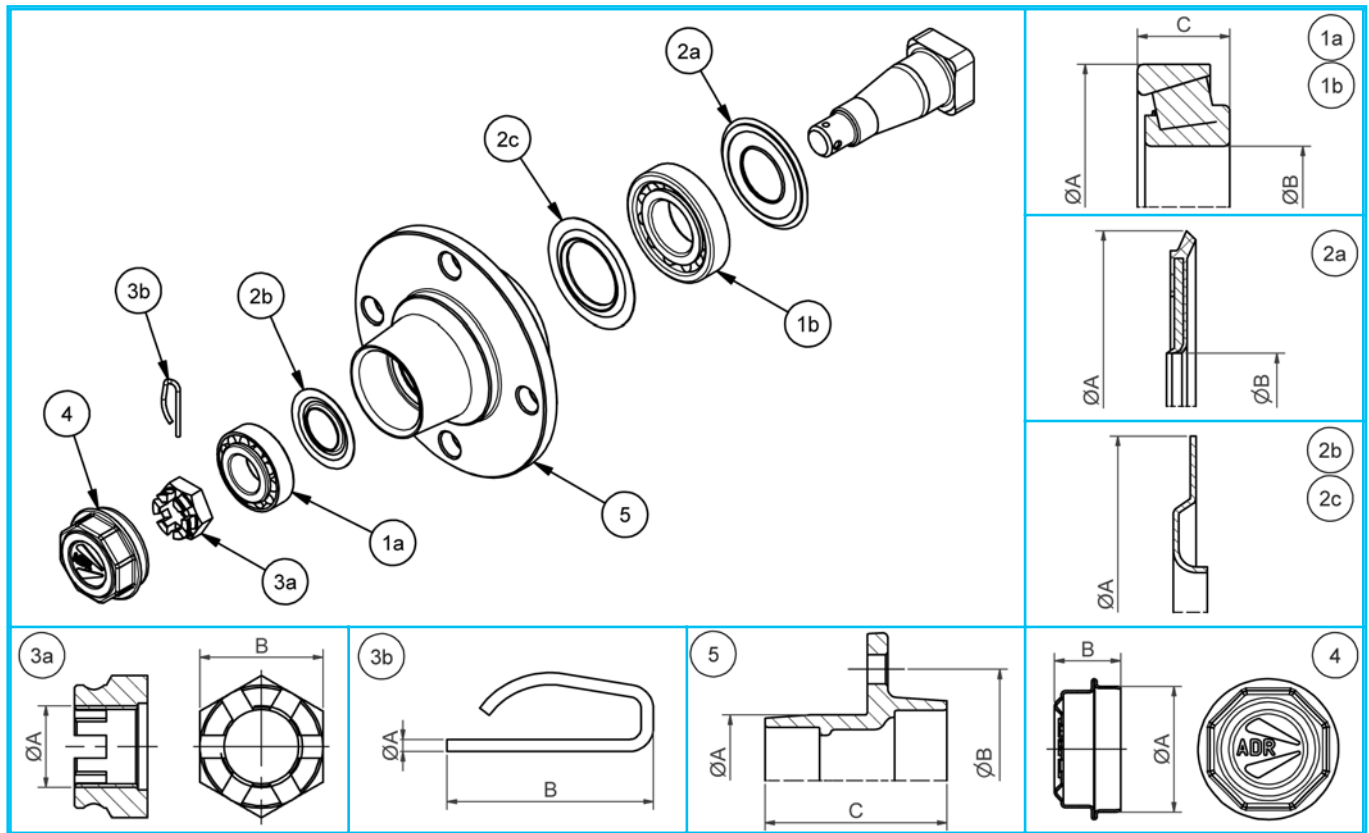


Item	Description	Code	A	B	C	Qty.	Kit code
1a	Bearing 30204	59130204	47	20	15,25	2	9RCBA
1b	Bearing 30205	59130205	52	25	16,25	2	
2a	Oil seal	5410521	52	25	-	4	9RNBA
2b	Nilos 30204	5510471	47	-	-	4	
2c	Nilos 30205	5510521	52	-	-	4	
3a	Crown nut	57518B1	M18X1,5	27	-	4	9RDF18E
3b	Spring pin	58201	2	34	-	4	
4	Cap	56104703	47	25	-	4	9RT47
5	Hub 4 holes for M12X1,5	61L4BA002	58	98	66	1	61L4BA002
	Hub 4 holes for M12X1,5	61LBBA002	62	95	66	1	61LBBA002
	Hub 4 holes for M12X1,5	61LABA002	60	100	66	1	61LABA002
	Hub 4 holes for M16X1,5	61LCBA001	84	130	65	1	61LCBA001

Axle type - DA -

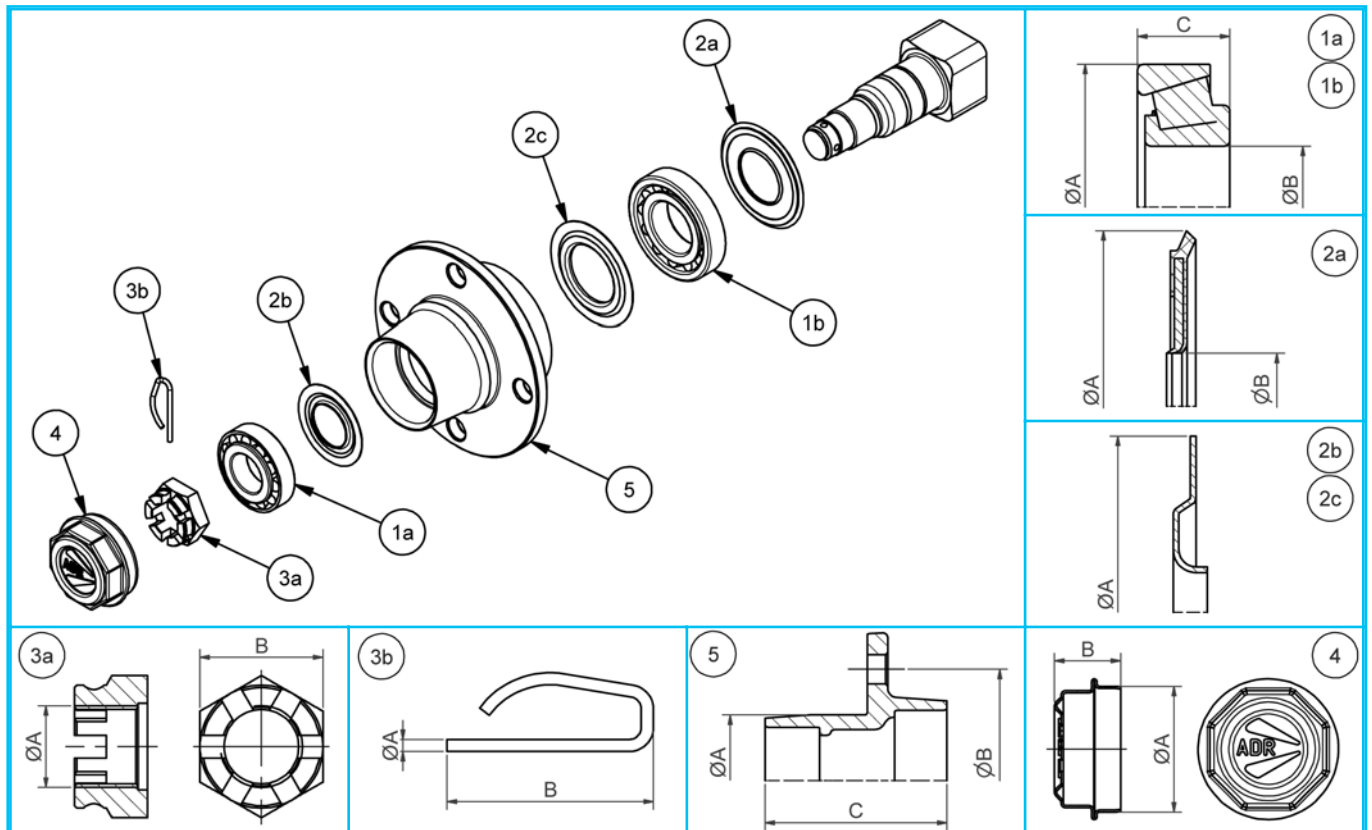


Item	Description	Code	A	B	C	Qty.	Kit code
1a	Bearing 30204	59130204	47	20	15,25	2	9RCDA
1b	Bearing 30206	59130206	62	30	17,25	2	
2a	Oil seal	5410621	62	30	-	4	9RNDA
2b	Nilos 30204	5510471	47	-	-	4	
2c	Nilos 30206	5510621	62	-	-	4	
3a	Crown nut	57518B1	M18X1,5	27	-	4	9RDF18E
3b	Spring pin	58201	2	34	-	4	
4	Cap	56104703	47	25	-	4	9RT47
5	Hub 4 holes for M12X1,5	61L4DA001	58	98	80	1	61L4DA001
	Hub 4 holes for M12X1,5	61LBDA001	62	95	80	1	61LBDA001
	Hub 4 holes for M12X1,5	61LADA001	60	100	80	1	61LADA001

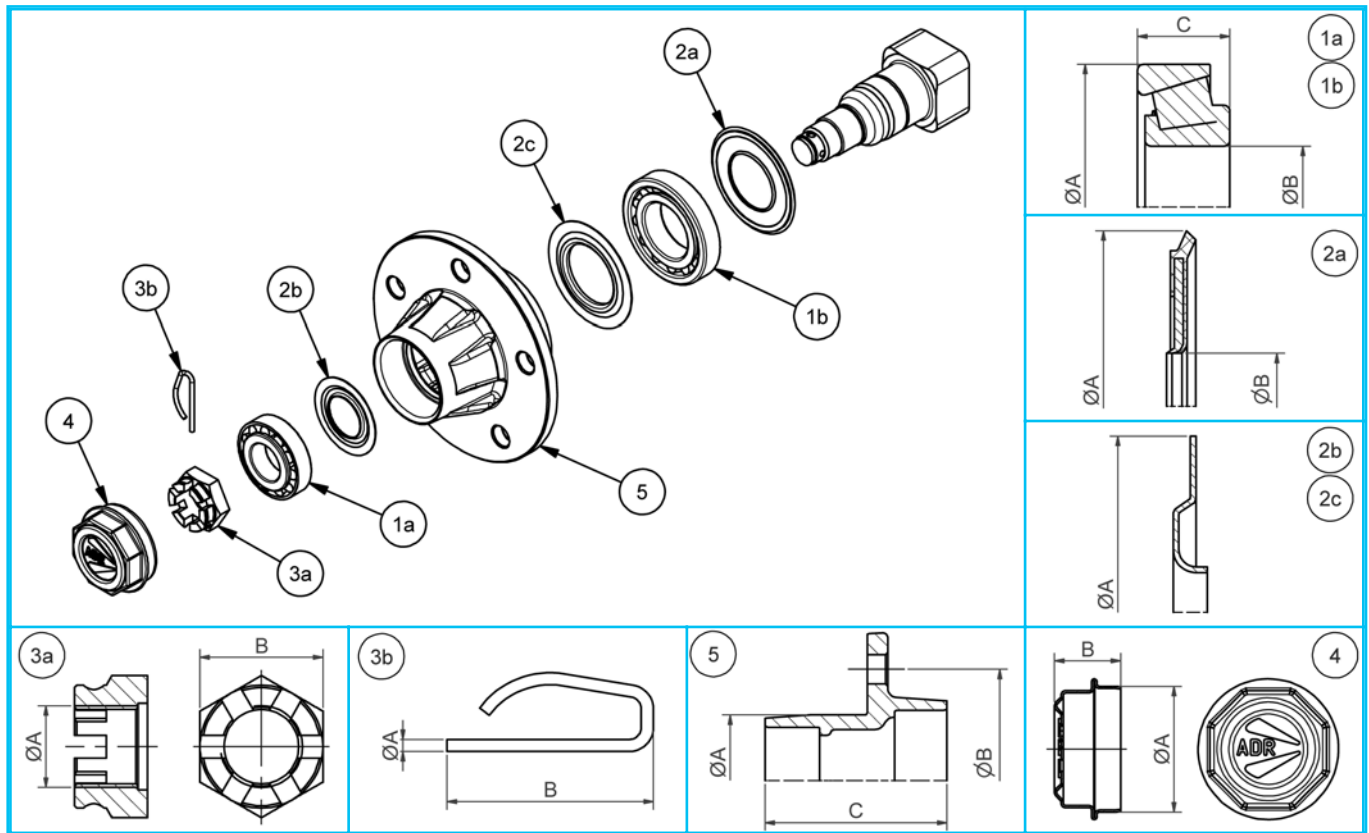


Item	Description	Code	A	B	C	Qty.	Kit code
1a	Bearing 30205	59130205	52	25	16,25	2	9RCGA
1b	Bearing 30207	59130207	72	35	17,25	2	
2a	Oil seal	5410721	72	35	-	4	9RNGA
2b	Nilos 30205	5510521	52	-	-	4	
2c	Nilos 30207	5510721	72	-	-	4	
3a	Crown nut	57520B1	M20X1,5	32	-	4	9RDF20E
3b	Spring pin	58202	2,5	38	-	4	
4	Cap	56105203	52	27	-	4	9RT52
5	Hub 4 holes for M16X1,5	61LCGA007	84	130	95	1	61LCGA007
	Hub 5 holes for M14X1,5	61LGGA002	66	112	95	1	61LGGA002
	Hub 5 holes for M16X1,5	61L5GA002	94	140	95	1	61L5GA002

Axle type - IA -

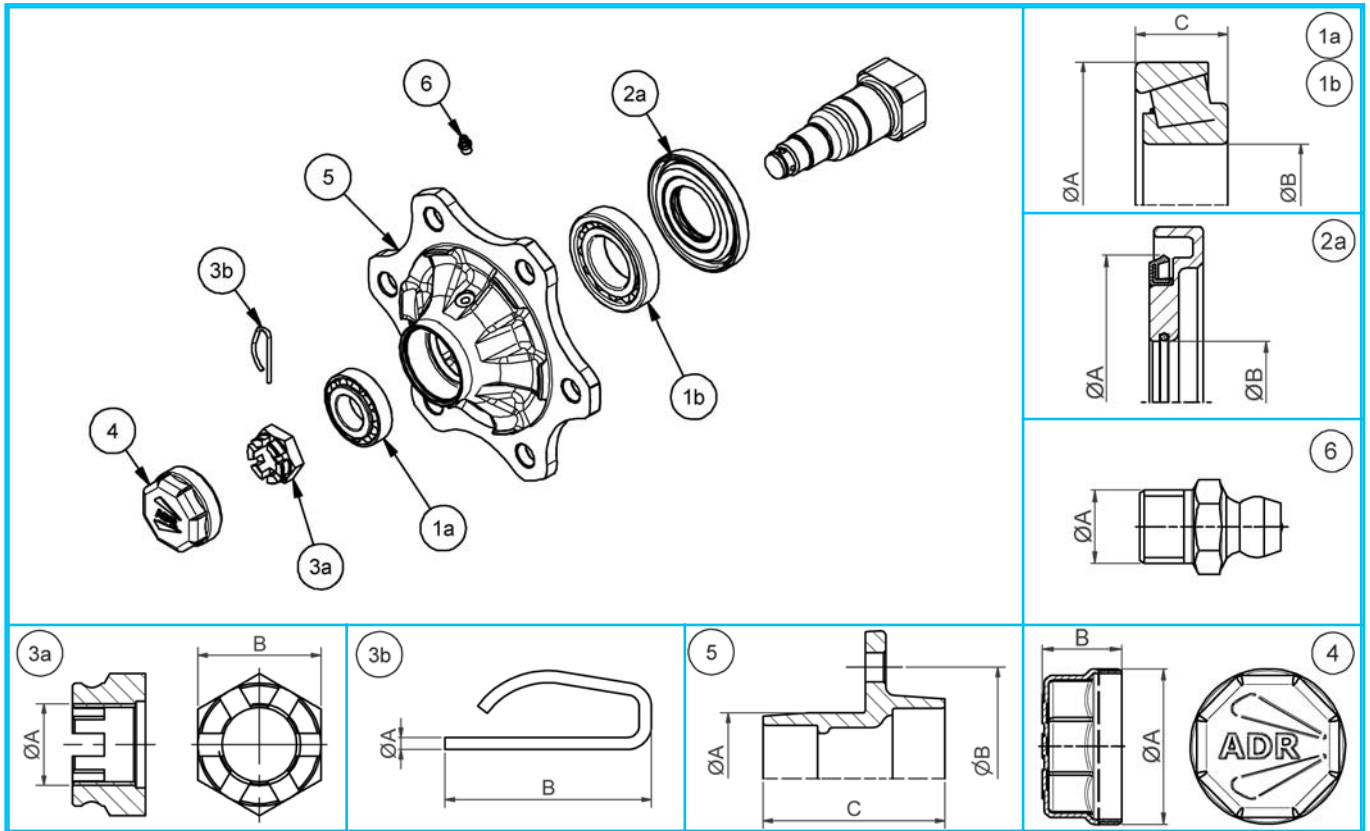


Item	Description	Code	A	B	C	Qty.	Kit code
1a	Bearing 30206	59130206	62	30	17,25	2	9RCIA
1b	Bearing 30208	59130208	80	40	19,75	2	
2a	Oil seal	5410801	80	40	-	4	9RNIA
2b	Nilos 30206	5510621	62	-	-	4	
2c	Nilos 30208	5510801	80	-	-	4	
3a	Crown nut	57527B1	M27X1,5	41	-	4	9RDF27E
3b	Spring pin	58204	3	50	-	4	
4	Cap	56106203	62	31	-	4	9RT62
5	Hub 4 holes for M16X1,5	61LCIA001	84	130	100	1	61LCIA001
	Hub 5 holes for M16X1,5	61L5IA001	94	140	100	1	61L5IA001

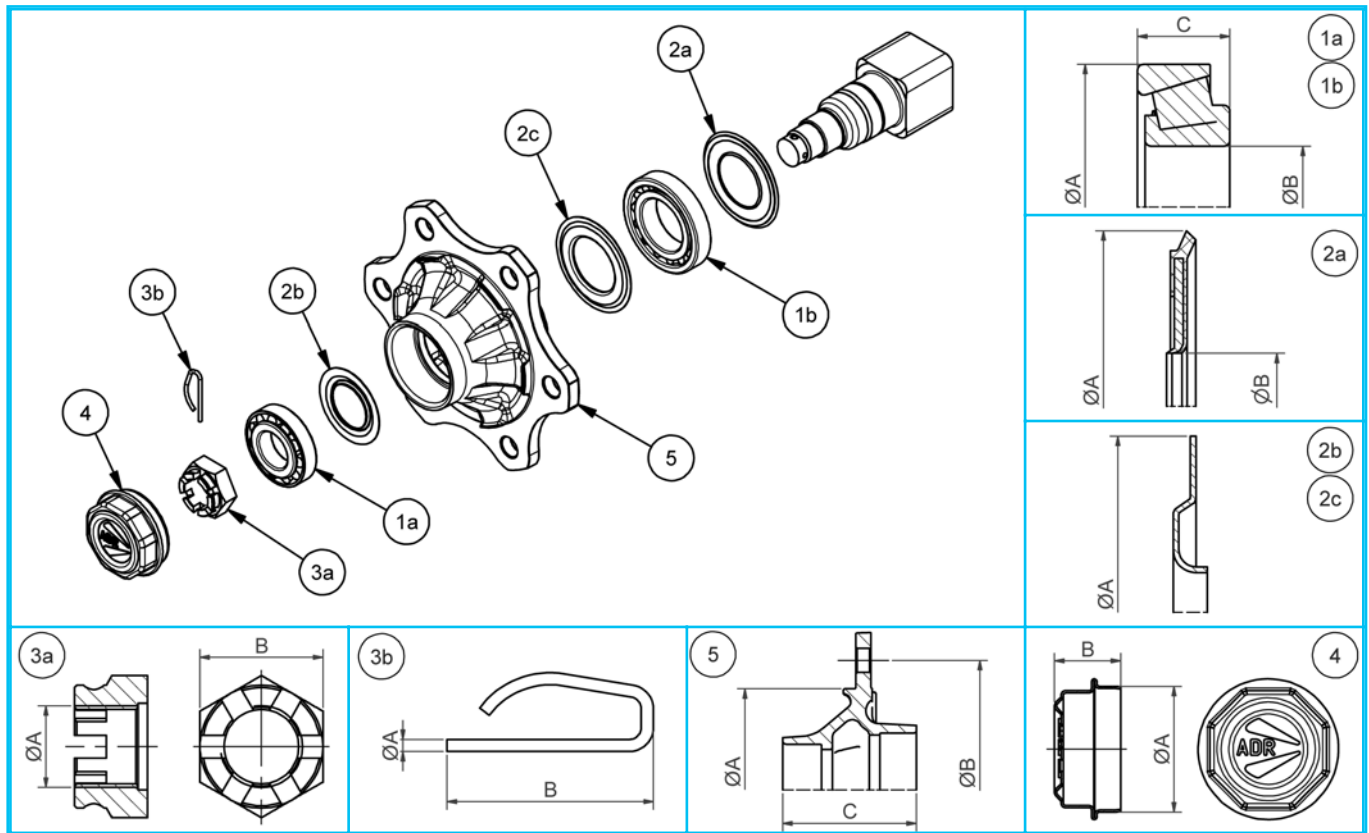


Item	Description	Code	A	B	C	Qty.	Kit code
1a	Bearing 30206	59130206	62	30	17,25	1	9RCJA
1b	Bearing 30209	59130209	85	45	20,75	1	
2a	Oil seal	5410851	85	45	-	2	9RNJA
2b	Nilos 30206	5510621	62	-	-	2	
2c	Nilos 30209	5510851	85	-	-	2	
3a	Crown nut	57527B1	M27X1,5	41	-	4	9RDF27E
3b	Spring pin	58204	3	50	-	4	
4	Cap	56106203	62	31	-	4	9RT62
5	Hub 5 holes for M16X1,5	61L5JA001	94	140	100	1	61L5JA001
	Hub 6 holes for M18X1,5	61L6JA001	160	205	100	1	61L6JA001

Axle type - JR -

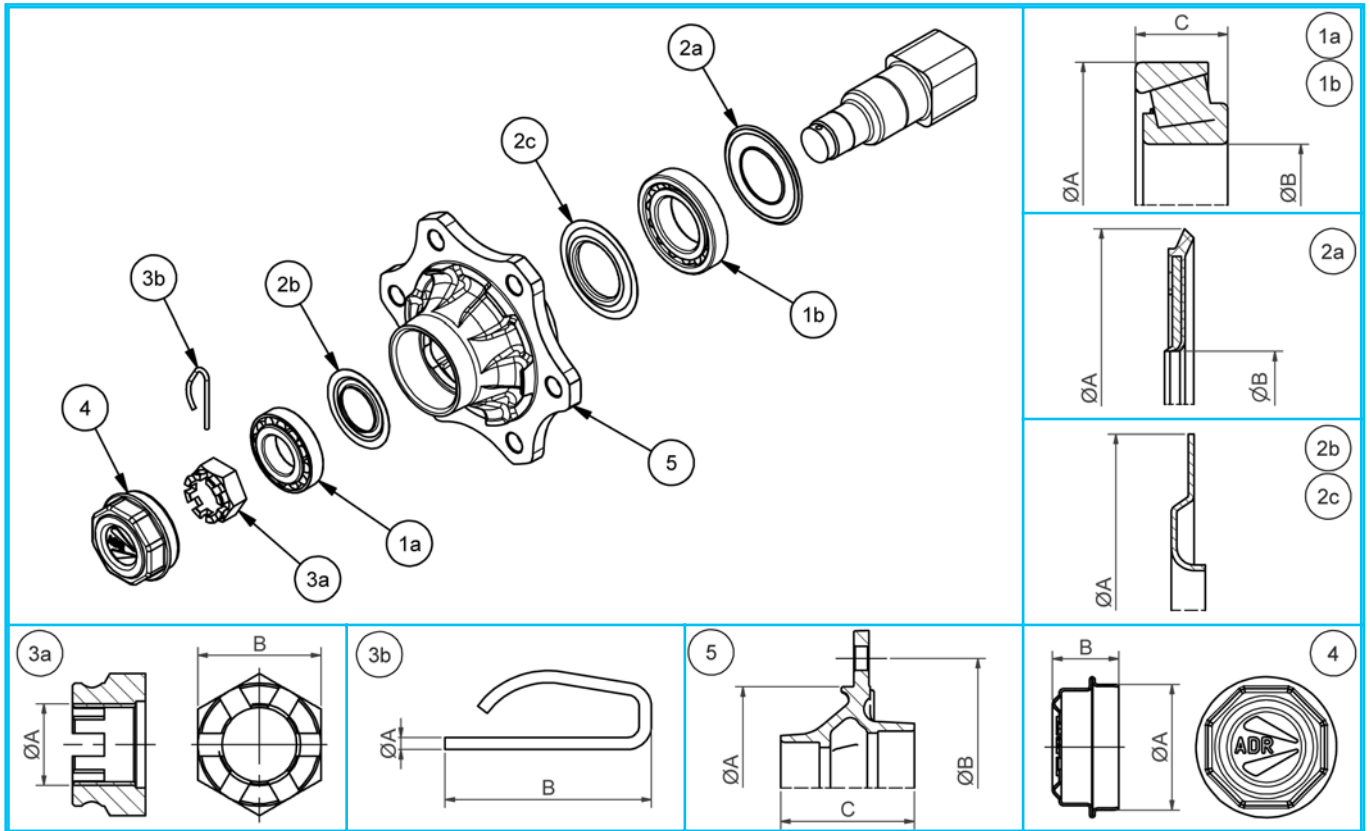


Item	Description	Code	A	B	C	Qty.	Kit code
1a	Bearing 30206	59130206	62	30	17,25	1	9RCJA
1b	Bearing 30209	59130209	85	45	20,75	1	
2a	Oil seal	5470852	85	47	-	2	9RNJR
3a	Crown nut	57527B1	M27X1,5	41	-	4	9RDF27E
3b	Spring pin	58204	3	50	-	4	
4	Threaded cap	56206201	M64X2	30	-	4	9RT62T
5	Hub 5 holes for M16X1,5	61LZJA028	93	140	100	1	61LZJA028
	Hub 6 holes for M18X1,5	61L6JA007	160	205	100	1	61L6JA007
6	Grease nipple	98608A1	M8X1,25	-	-	50	9R98608A1

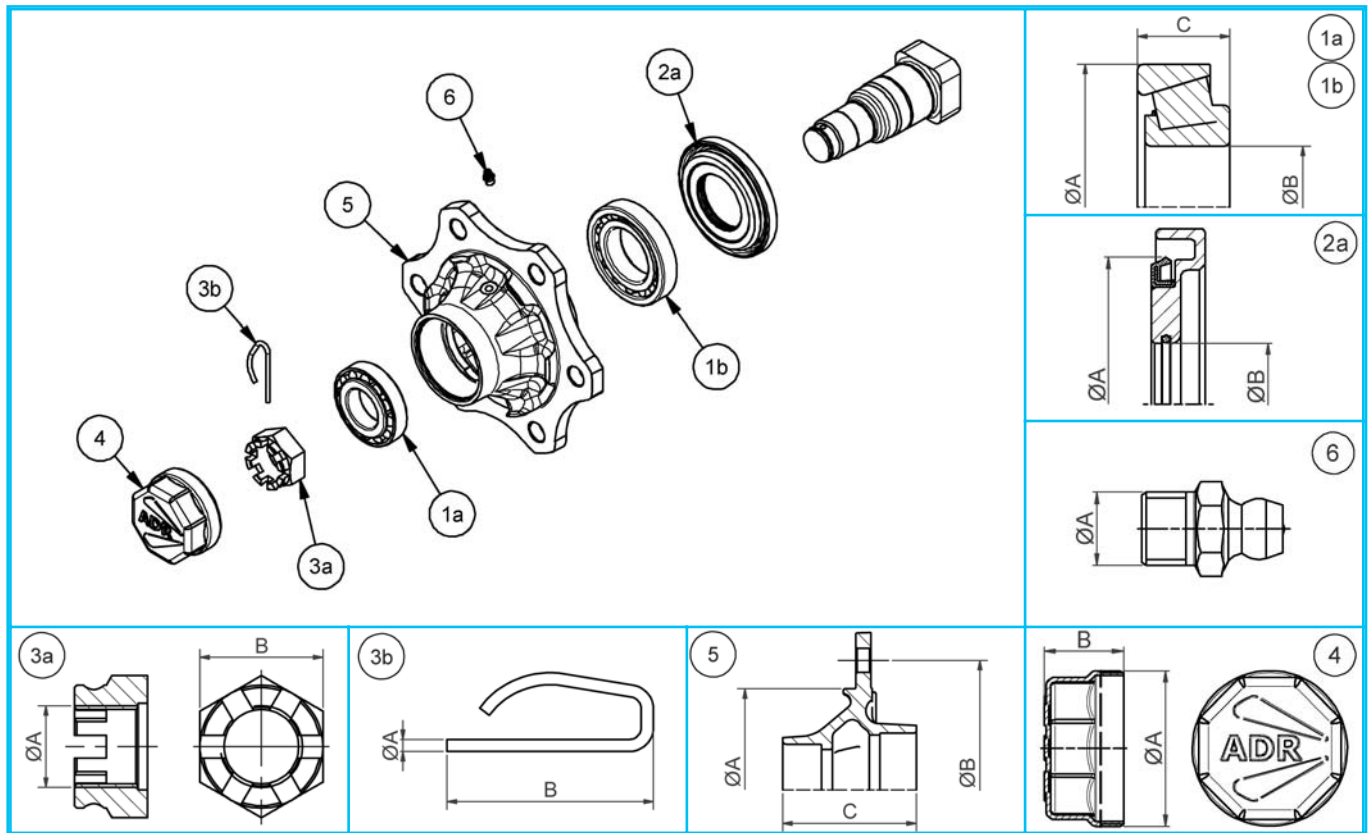


Item	Description	Code	A	B	C	Qty.	Kit code
1a	Bearing 30207	59130207	72	35	18,25	1	9RCKA
1b	Bearing 30210	59130210	90	50	21,75	1	
2a	Oil seal	5410901	90	50	-	2	9RNKA
2b	Nilos 30207	5510721	72	-	-	2	
2c	Nilos 30210	5510901	90	-	-	2	
3a	Crown nut	57530B2	M30X1,5	46	-	4	9RDF30
3b	Spring pin	58204	3	50		4	
4	Cap	56107203	72	34	-	4	9RT72
5	Hub 6 holes for M18X1,5	61L6KA001	160	205	106	1	61L6KA001

Axle type - LA -

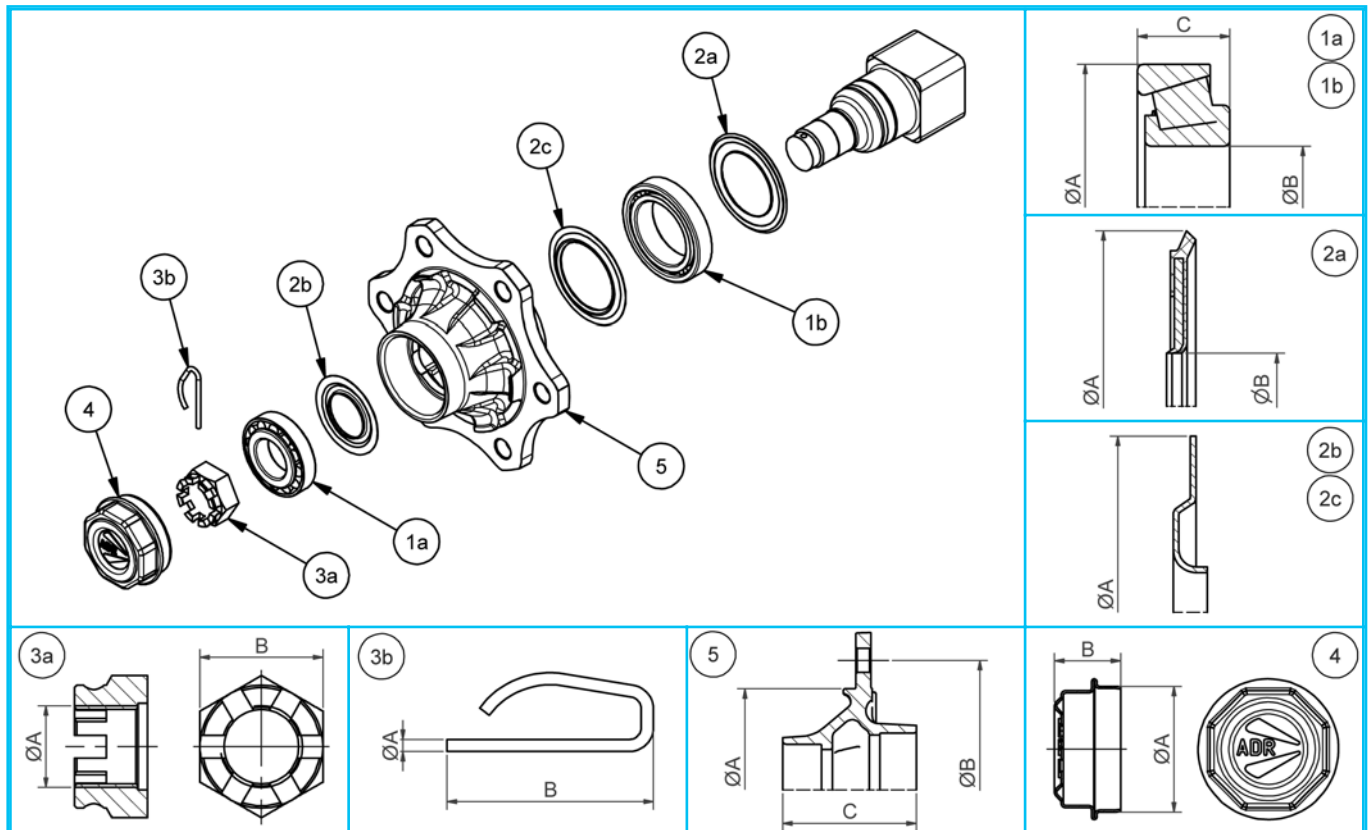


Item	Description	Code	A	B	C	Qty.	Kit code
1a	Bearing 30208	59130208	80	40	19,75	1	9RCLA
1b	Bearing 30211	59130211	100	55	22,75	1	
2a	Oil seal	5411001	100	55	-	2	9RNLA
2b	Nilos 30208	5510801	80	-	-	2	
2c	Nilos 30211	5511001	100	-	-	2	
3a	Crown nut	57539B1	M39X1,5	50	-	4	9RDF3950
3b	Spring pin	58205	4	64	-	4	
4	Cap	56108003	80	40	-	4	9RT80
5	Hub 6 holes for M18X1,5	61L6LA001	160	205	118	1	61L6LA001

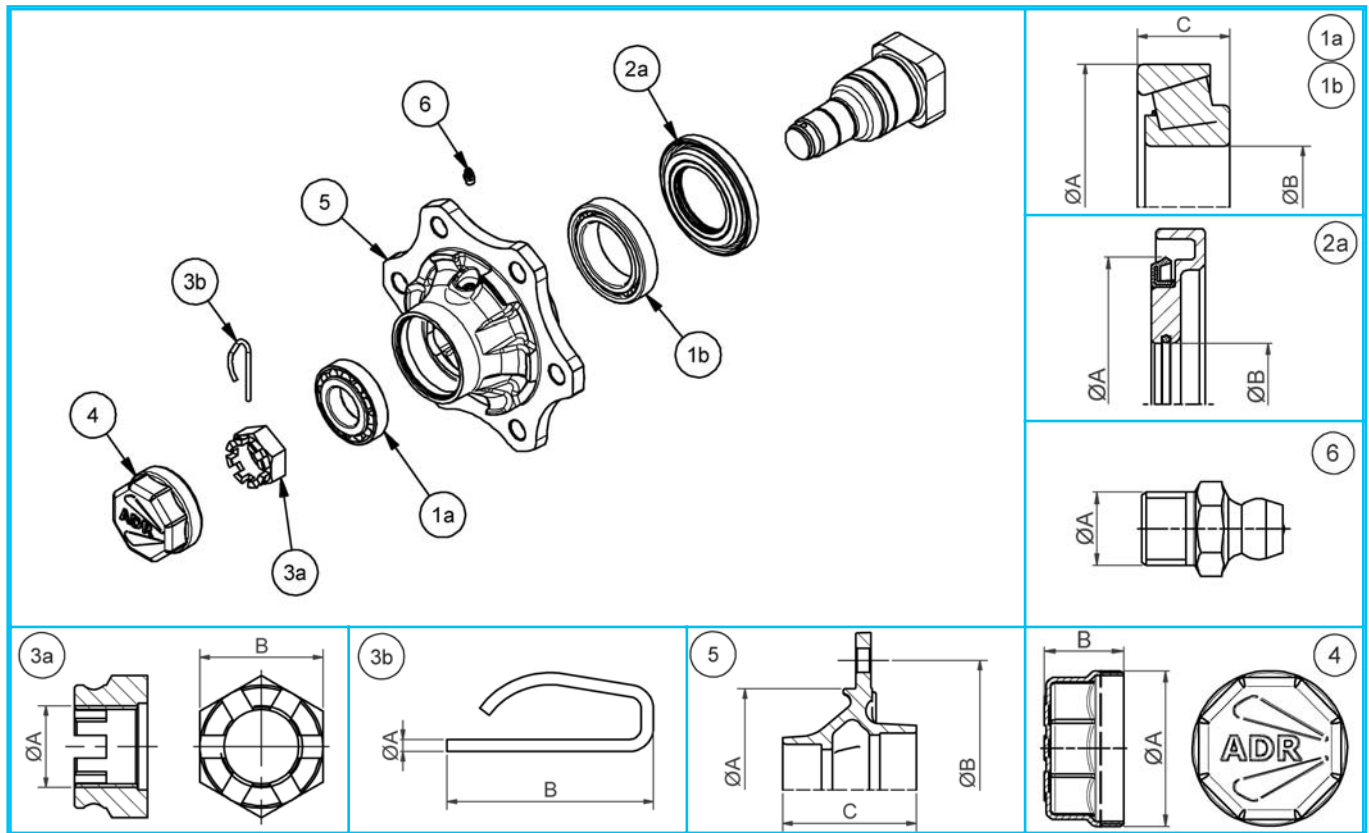


Item	Description	Code	A	B	C	Qty.	Kit code
1a	Bearing 30208	59130208	80	40	19,75	1	9RCLA
1b	Bearing 30211	59130211	100	55	22,75	1	
2a	Oil seal	5471004	100	56	-	2	9RNLR
3a	Crown nut	57539B1	M39X1,5	50	-	4	9RDF3950
3b	Spring pin	58205	4	64	-	4	
4	Threaded cap	56208001	M8X2	41	-	4	9RT80T
5	Hub 6 holes for M18X1,5	61L6LA031	160	205	118	1	61L6LA003
6	Grease nipple	98608A1	M8X1,25	-	-	50	9R98608A1

Axle type - MA -

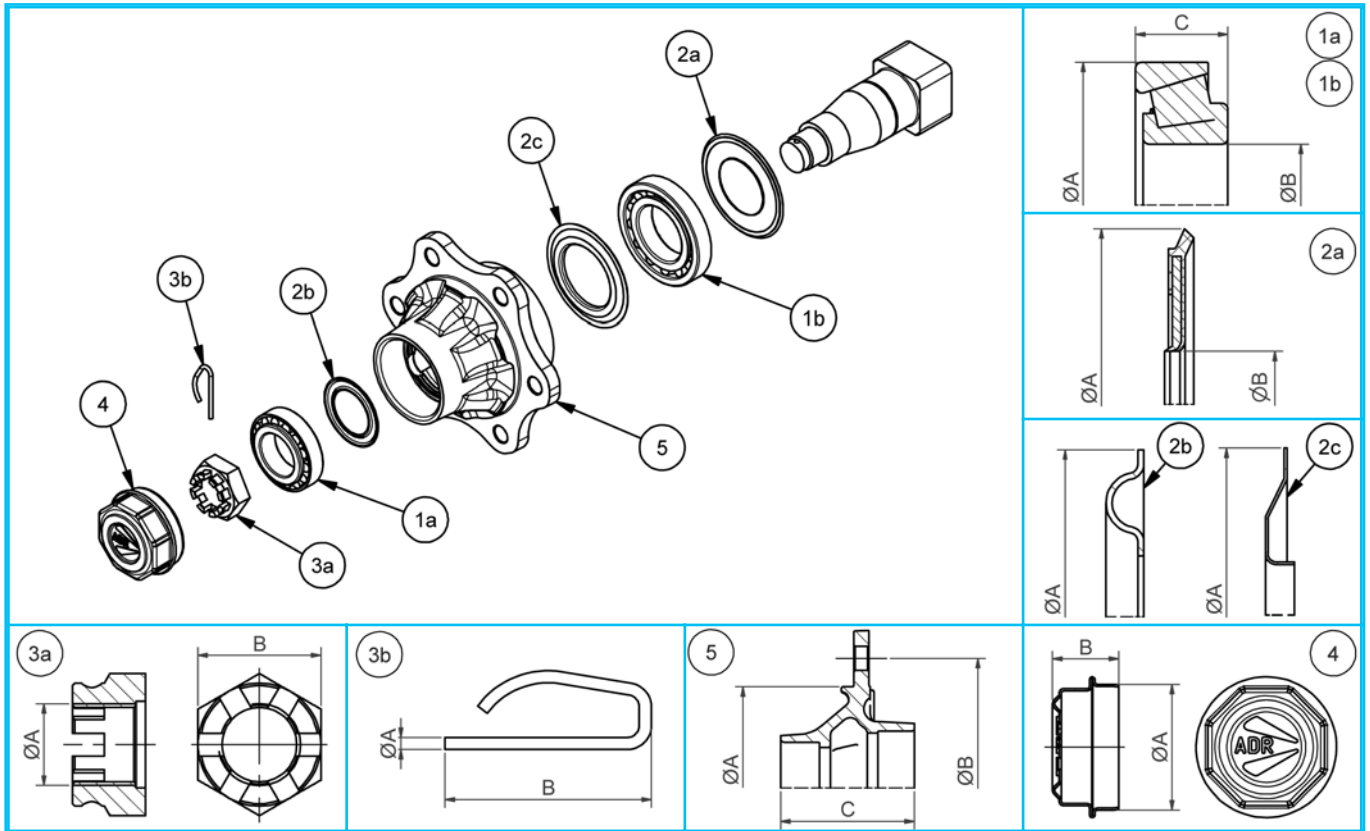


Item	Description	Code	A	B	C	Qty.	Kit code
1a	Bearing 30208	59130208	80	40	19,75	1	9RCMA
1b	Bearing 32013X	59132013X	100	65	23	1	
2a	Oil seal	5411002	100	65	-	2	9RNMA
2b	Nilos 30208	5510801	80	-	-	2	
2c	Nilos 32013X	5510991	100	-	-	2	
3a	Crown nut	57539B1	M39X1,5	50	-	4	9RDF3950
3b	Spring pin	58205	4	64	-	4	
4	Cap	56108003	80	40	-	4	9RT80
5	Hub 6 holes for M18X1,5	61L6LA001	160	205	118	1	61L6LA001

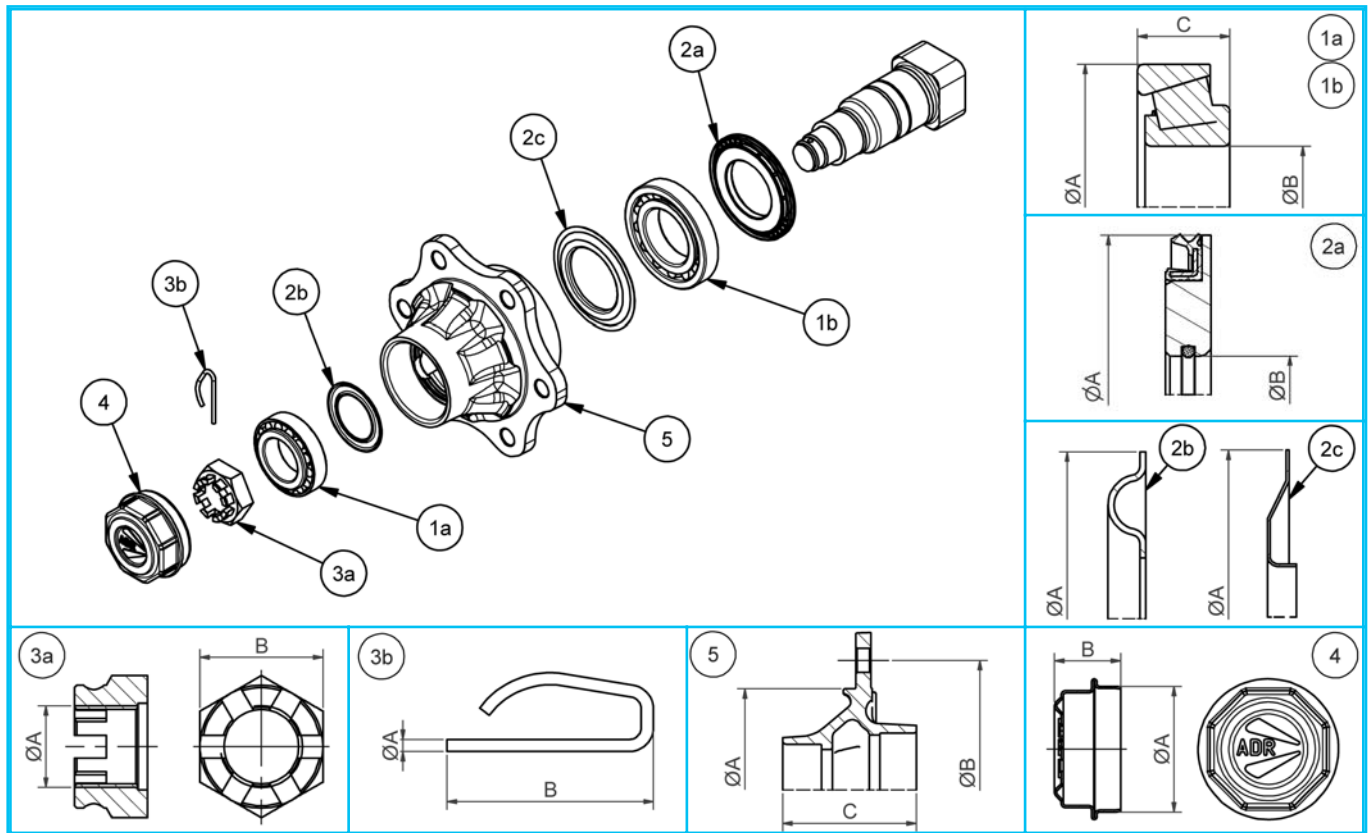


Item	Description	Code	A	B	C	Qty.	Kit code
1a	Bearing 30208	59130208	80	40	19,75	1	9RCMA
1b	Bearing 32013X	59132013X	100	65	23	1	
2a	Oil seal	5471005	100	66	-	2	9RNMR
3a	Crown nut	57539B1	M39X1,5	50	-	4	9RDF3950
3b	Spring pin	58205	4	64	-	4	
4	Threaded cap	56208001	M82X2	41	-	4	9RT80T
5	Hub 6 holes for M18X1,5	61L6LA003	160	205	118	1	61L6LA003
	Hub 6 holes for M18X1,5	61L6LA031	160	205	118	1	61L6LA031
6	Grease nipple	98608A1	M8X1,25	-	-	50	9R98608A1

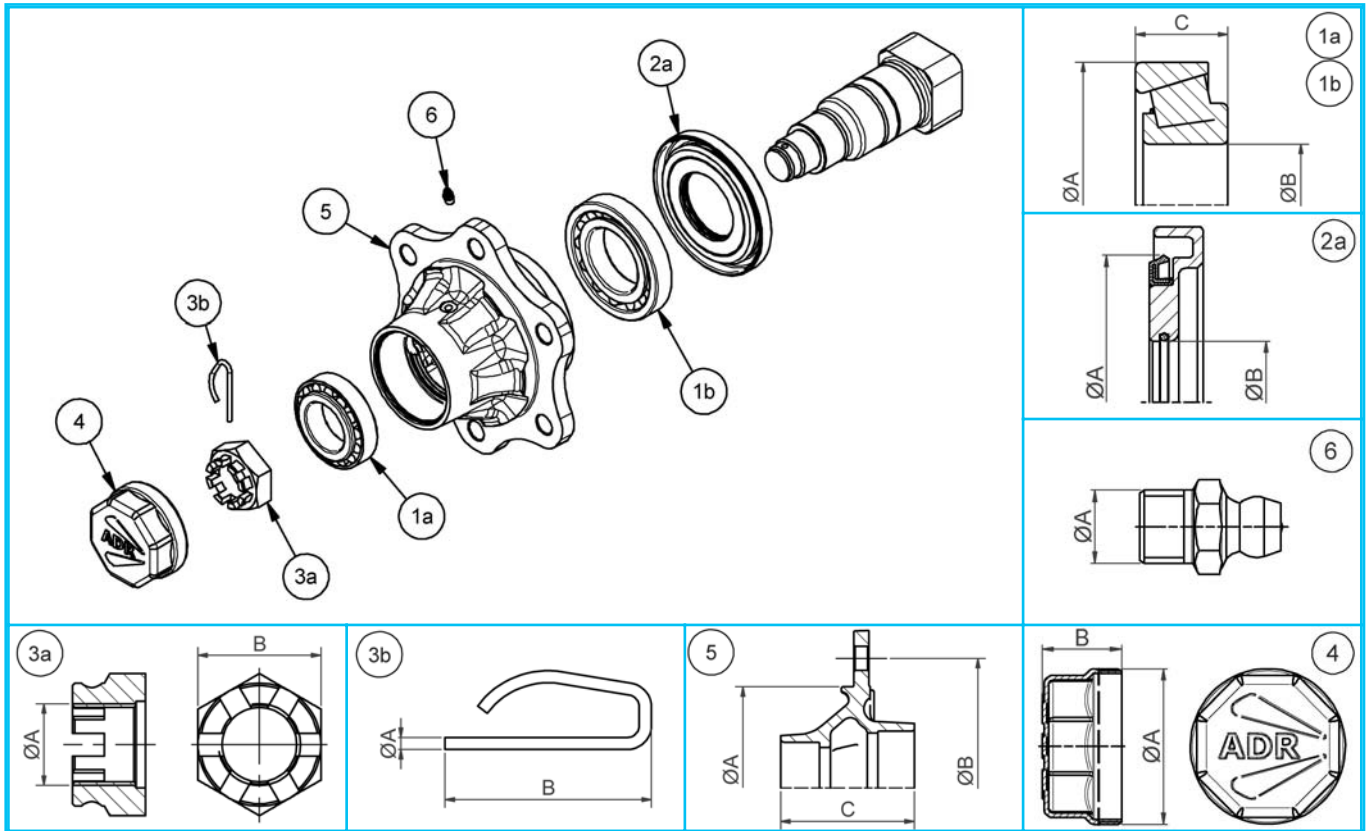
Axle type - NA -



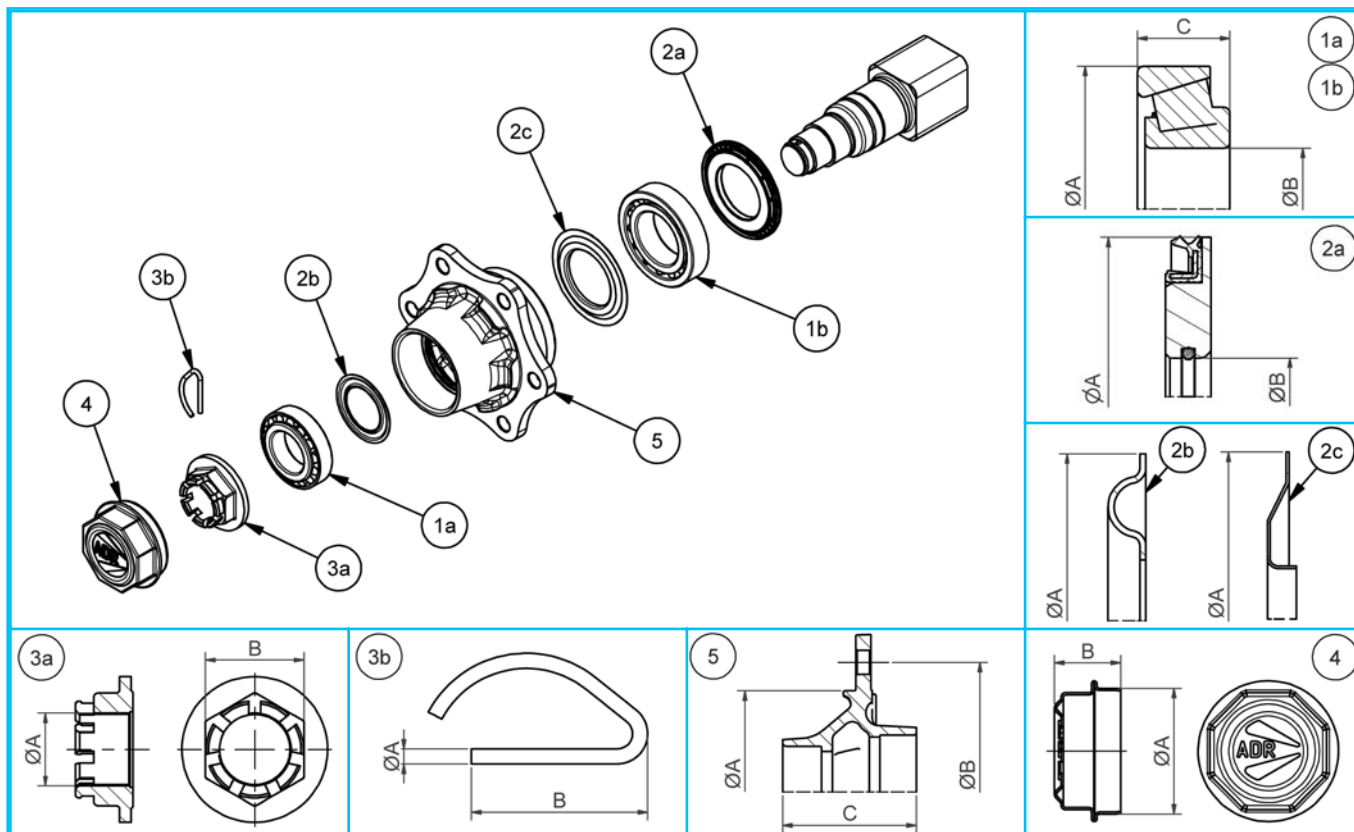
Item	Description	Code	A	B	C	Qty.	Kit code
1a	Bearing 32210	59132210	90	50	24,75	1	9RCNA
1b	Bearing 30213	59130213	120	65	24,75	1	
2a	Oil seal	5411201	120	65	-	2	9RNNNA
2b	Nilos 32210	5530801	80	-	-	2	
2c	Nilos 30213	5511201	120	-	-	2	
3a	Crown nut	57539B2	M39X1,5	60	-	4	9RDF3960
3b	Spring pin	58205	4	64	-	4	
4	Cap	56109003	90	47	-	2	9RT90
5	Hub 6 holes for M18X1,5	61L6NA002	160	205	148	1	61L6NA002
	Hub 8 holes for M20X1,5	61L8NA003	220	275	148	1	61L8NA003



Item	Description	Code	A	B	C	Qty.	Kit code
1a	Bearing 32210	59132210	90	50	24,75	1	9RCNA
1b	Bearing 30213	59130213	120	65	24,75	1	
2a	Oil seal	5441201	120	67	-	1	9RNNI
2b	Nilos 32210	5530801	80	-	-	1	
2c	Nilos 30213	5511201	120	-	-	1	
3a	Crown nut	57539B2	M39X1,5	60	-	4	9RDF3960
3b	Spring pin	58205	4	64	-	4	
4	Cap	56109003	90	47	-	2	9RT90
5	Hub 6 holes for M18X1,5	61L6NA002	160	205	148	1	61L6NA002
	Hub 8 holes for M20X1,5	61L8NA003	220	275	148	1	61L8NA003

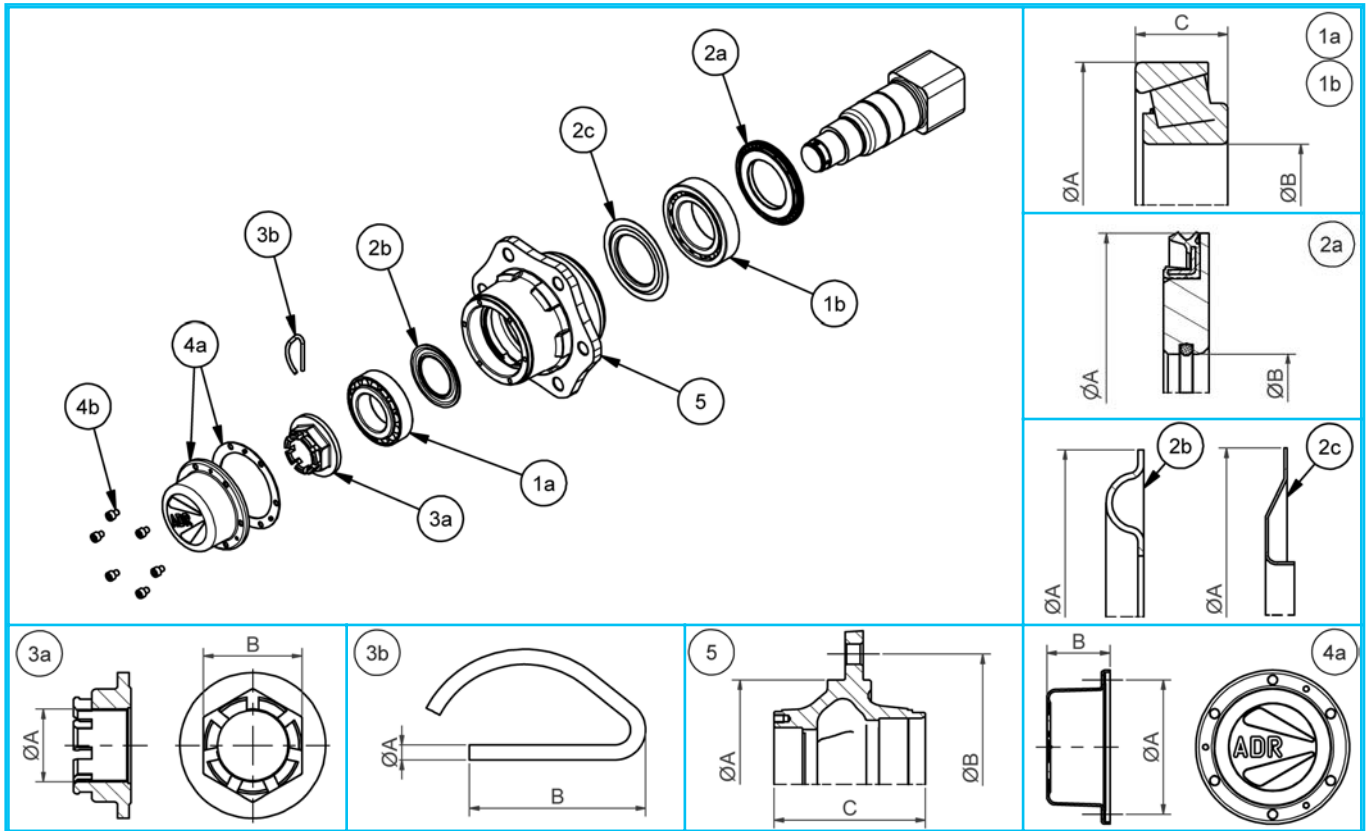


Item	Description	Code	A	B	C	Qty.	Kit code
1a	Bearing 32210	59132210	90	50	24,75	1	9RCNA
1b	Bearing 30213	59130213	120	65	24,75	1	
2a	Oil seal	5471202	120	67	-	2	9RNNR
3a	Crown nut	57539B2	M39X1,5	60	-	4	9RDF3960
3b	Spring pin	58205	4	64	-	4	
4	Threaded cap	56209001	M92X2	42	-	2	9RT90T
5	Hub 6 holes for M18X1,5	61L6NA009	160	205	148	1	61L6NA009
	Hub 8 holes for M20X1,5	61L8NA012	220	275	148	1	61L8NA012
6	Grease nipple	98608A1	M8X1,25	-	-	50	9R98608A1

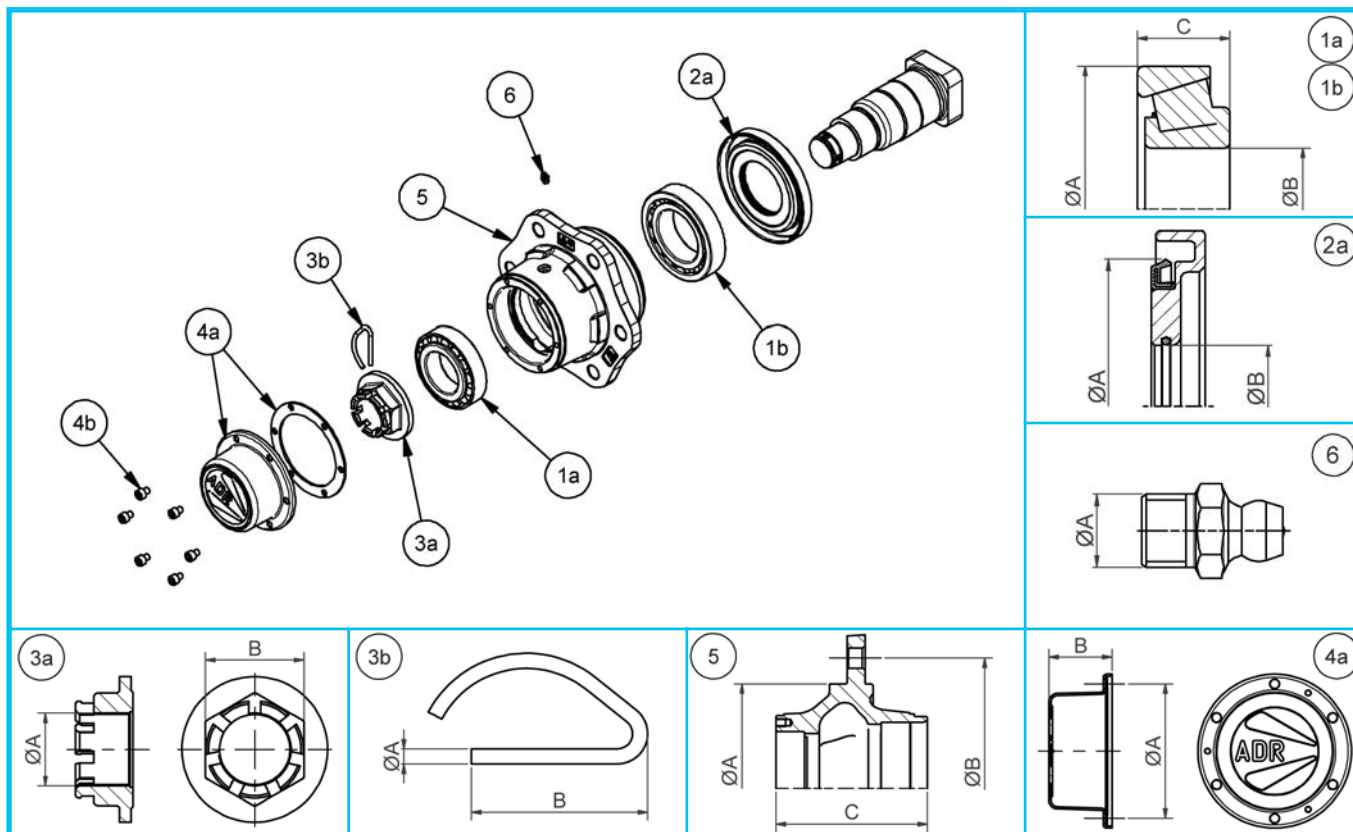


Item	Description	Code	A	B	C	Qty.	Kit code
1a	Bearing 32211	59132211	100	55	26,75	1	9RCQC
1b	Bearing 32214	59132214	125	70	33,25	1	
2a	Oil seal	5441251	125	72	-	2	9RNQI
2b	Nilos 32211	5530891	89	-	-	2	
2c	Nilos 32214	5511251	125	-	-	2	
3a	Crown nut	57548B5	M48X1,5	65	-	2	9RDF4865B
3b	Spring pin	58209	5	58	-	2	
4	Cap	56110002	100	50	-	2	9RT100
5	Hub 6 holes for M18X1,5	61L6QC001	160	205	147	1	61L6QC001
	Hub 8 holes for M20X1,5	61L8QC002	220	275	147	1	61L8QC002

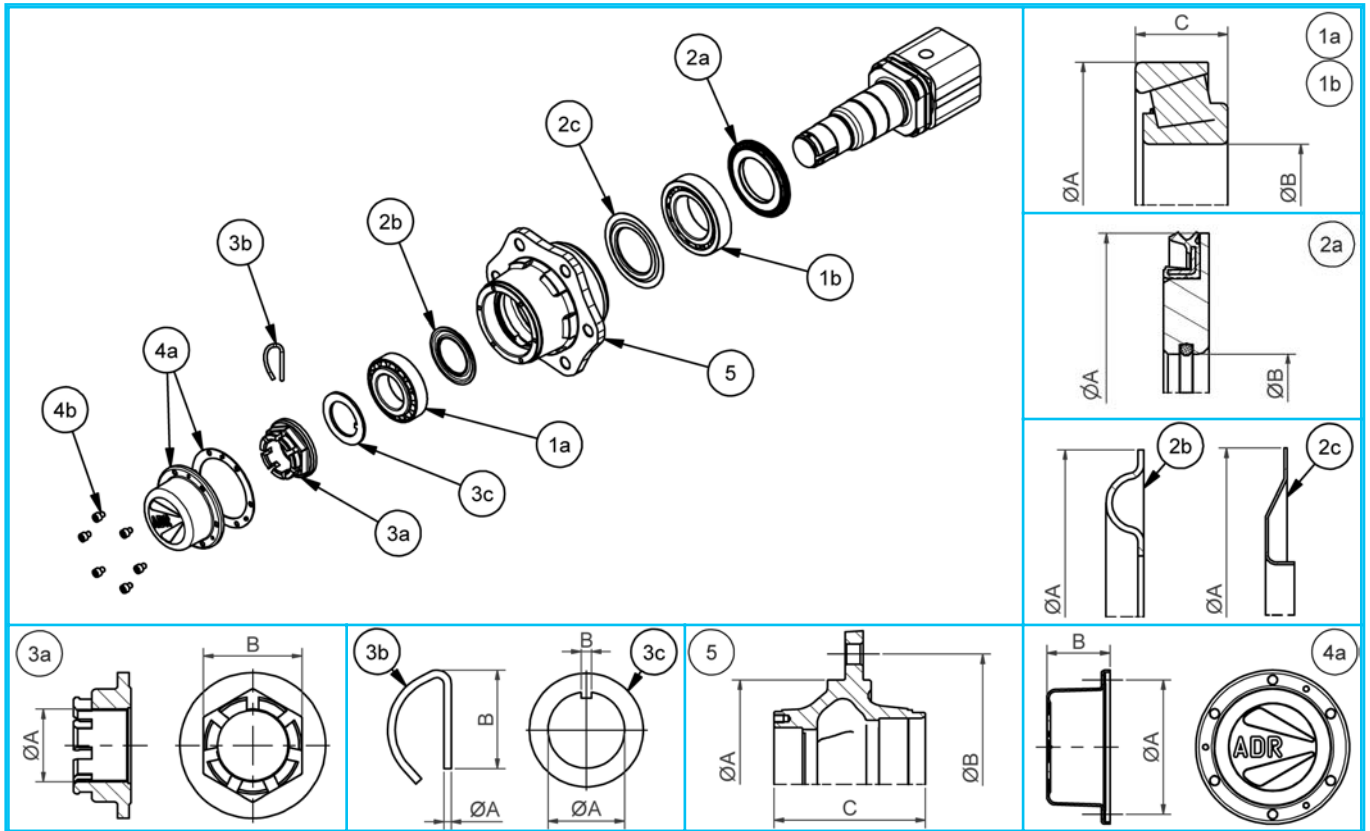
Axle type - RM -



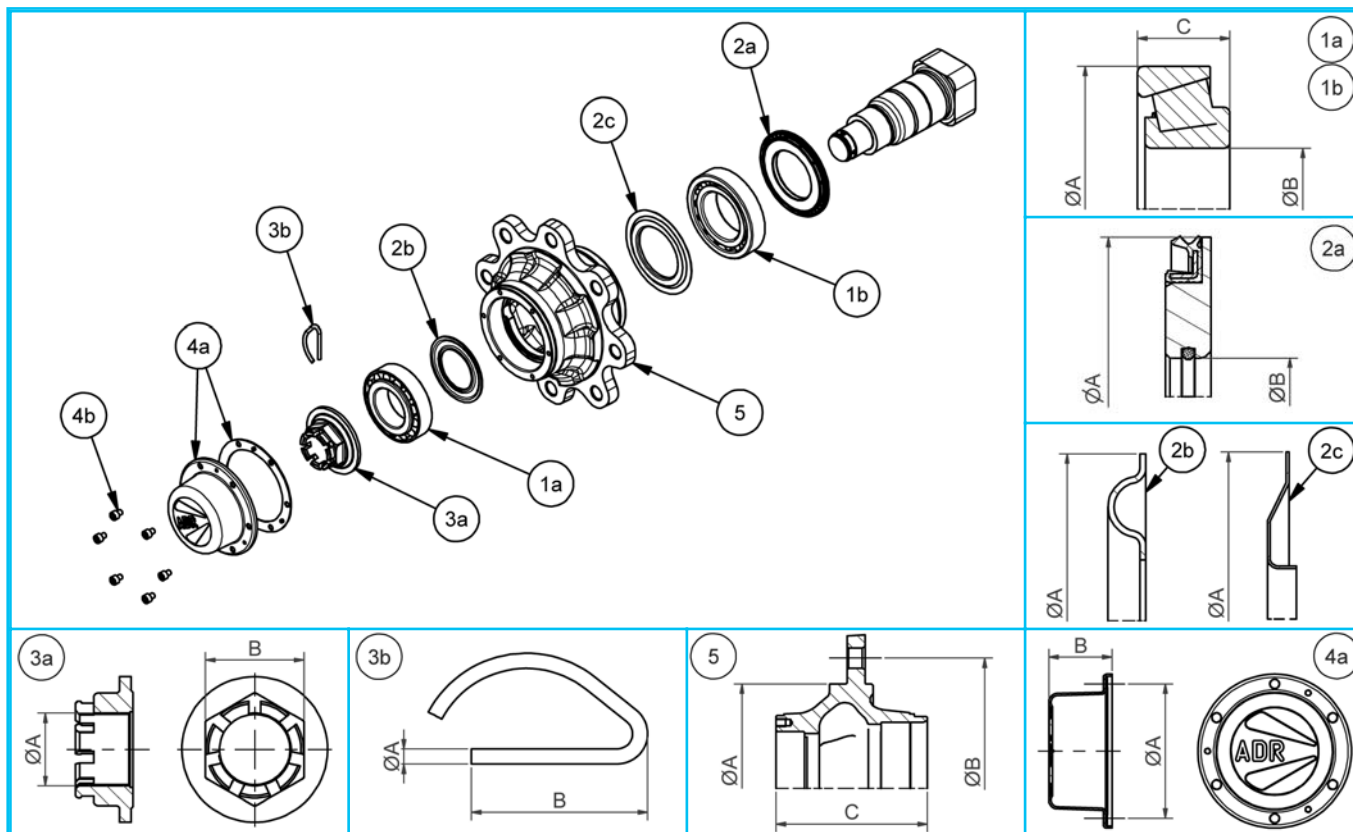
Item	Description	Code	A	B	C	Qty.	Kit code
1a	Bearing 32212	59132212	110	60	29,75	1	9RCRC
1b	Bearing 32215	59132215	130	75	33,25	1	
2a	Oil seal	5441301	130	77	-	1	9RNRG
2b	Nilos 32212	5530991	99	-	-	1	
2c	Nilos 32215	5511301	130	-	-	1	
3a	Crown nut	57548B5	M48X1,5	65	-	2	9RDF4865B
3b	Spring pin	58209	5	58	-	2	
4a	Cap with gasket	56111028	124	59	-	2	9RT110AC
4b	Screw M8X1,25	96308A0101	-	-	-	12	
5	Hub 6 holes for M18X1,5	61L6RD002	160	205	155	1	61L6RD002
	Hub 8 holes for M20X1,5	61L8RD002	220	275	155	1	61L8RD002
	Hub 10 holes for M22X1,5	61LRRD001	175	225	155	1	61LRRD001



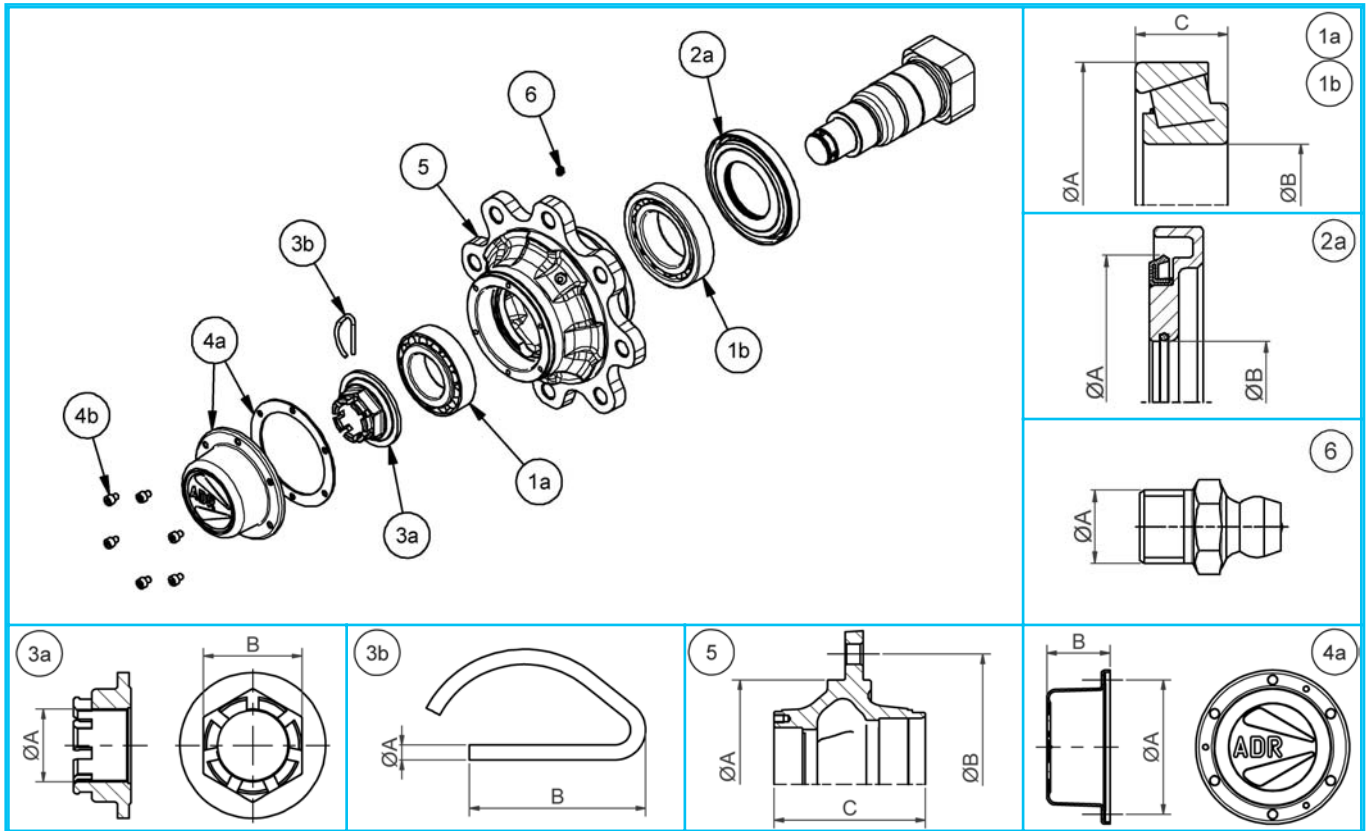
Item	Description	Code	A	B	C	Qty.	Kit code
1a	Bearing 32212	59132212	110	60	29,75	1	9RCRC
1b	Bearing 32215	59132215	130	75	33,25	1	
2a	Oil seal	5471302	130	77	-	1	9RNRR
3a	Crown nut	57548B5	M48X1,5	65	-	2	9RDF4865B
3b	Spring pin	58209	5	58	-	2	
4a	Cap with gasket	56111028	124	58	-	2	9RT110AC
4b	Screw M8X1,25	96308A0101	-	-	-	12	
5	Hub 6 holes for M18X1,5	61L6RD004	160	205	155	1	61L6RD004
	Hub 8 holes for M20X1,5	61L8RD005	220	275	155	1	61L8RD005
6	Grease nipple	98608A1	M8X1,25	-	-	50	9R90608A1



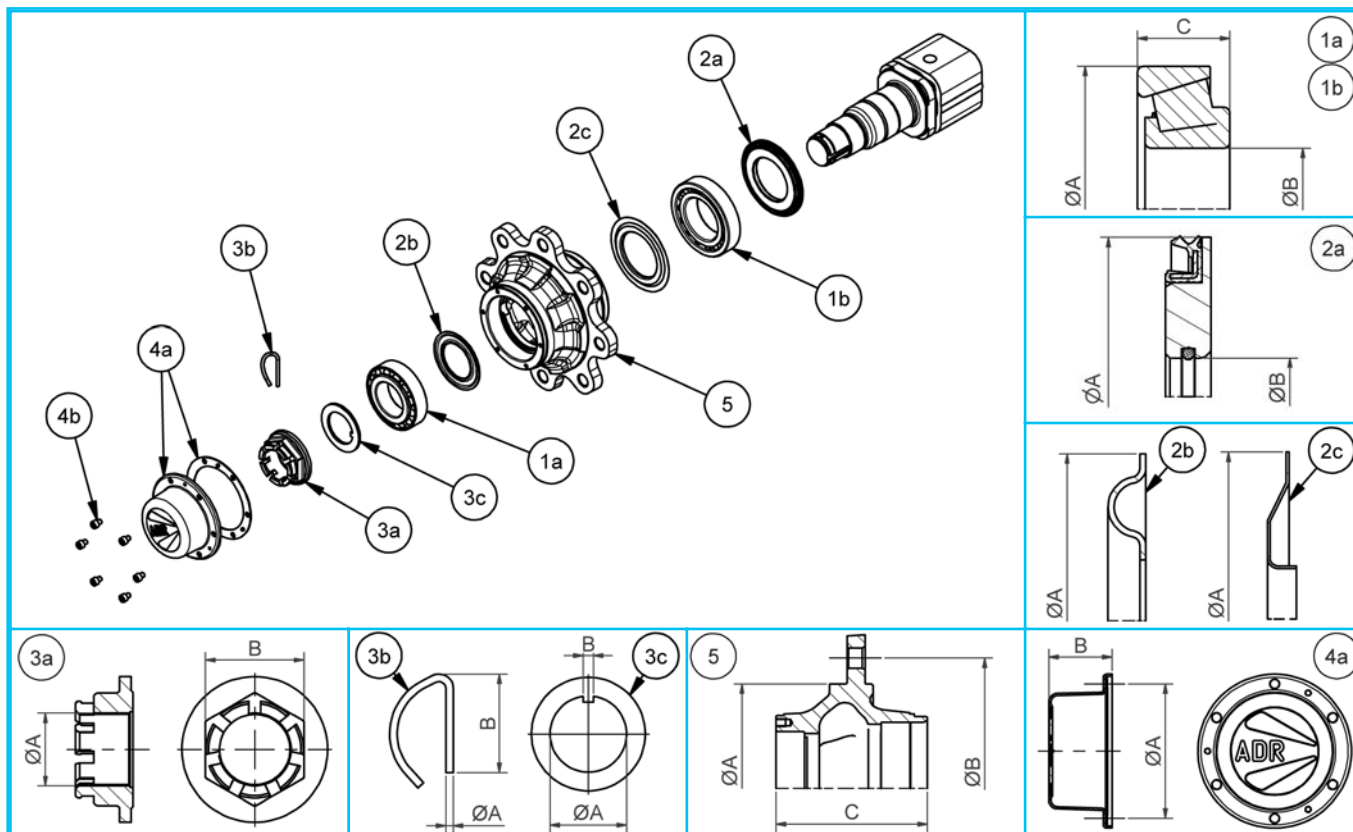
Item	Description	Code	A	B	C	Qty.	Kit code
1a	Bearing 32212	59132212	110	60	29,75	1	9RCRC
1b	Bearing 32215	59132215	130	75	33,25	1	
2a	Oil seal	5441301	130	77	-	1	9RNRG
2b	Nilos 32212	5530991	99	-	-	1	
2c	Nilos 32215	5511301	130	-	-	1	
3a	Crown nut	57558B1	M58X1,5	80	-	2	9RDF5865
3b	Spring pin	58212	5	65	-	2	
3c	Lock washer	57B5801	60,5	8	-	2	
4a	Cap with gasket	56111028	124	59	-	2	9RT110AC
4b	Screw M8X1,25	96308A0101	-	-	-	12	
5	Hub 6 holes for M18X1,5	61L6RD002	160	205	155	1	61L6RD002
	Hub 8 holes for M20X1,5	61L8RD002	220	275	155	1	61L8RD002
	Hub 10 holes for M22X1,5	61LRRD001	175	225	155	1	61LRRD001



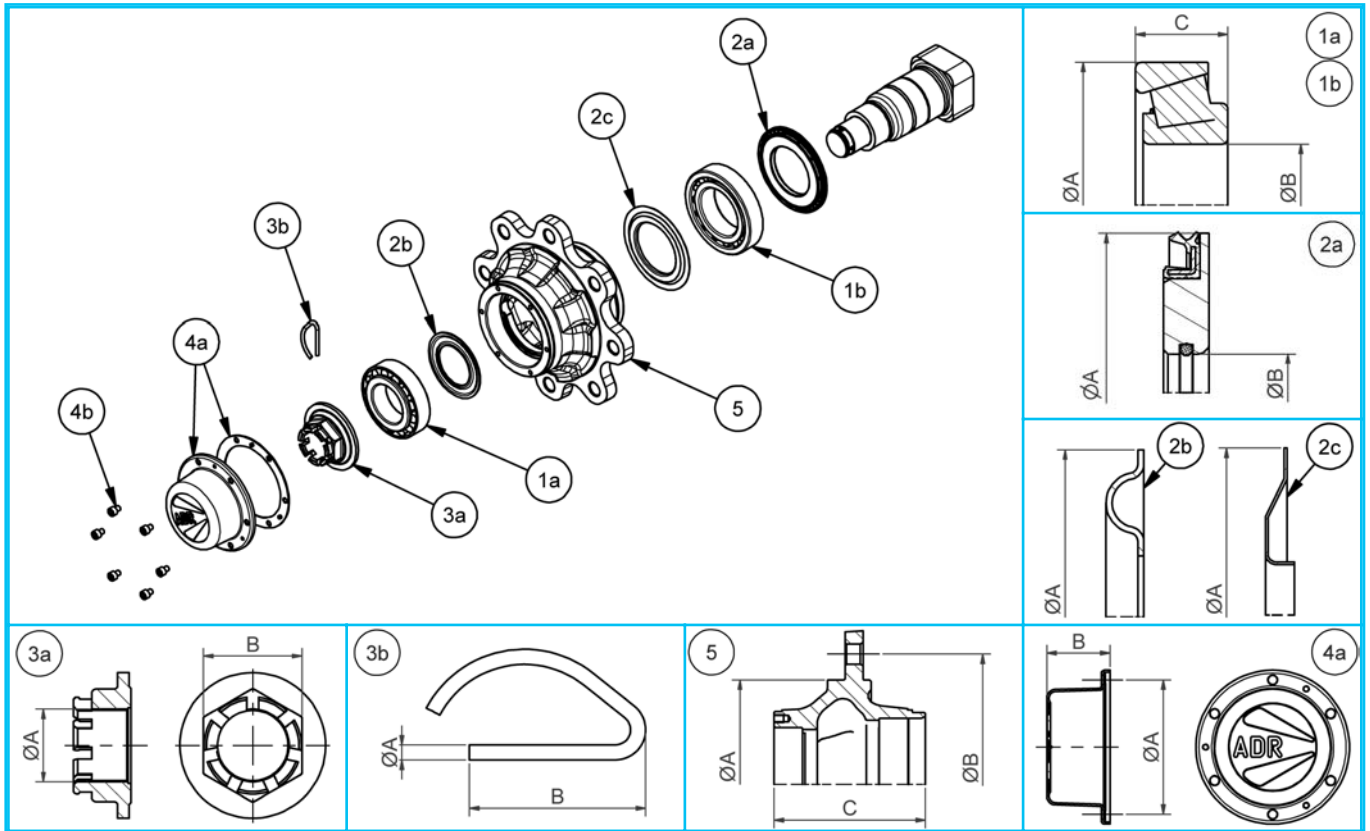
Item	Description	Code	A	B	C	Qty.	Kit code
1a	Bearing 32213	59132213	120	65	32,75	1	9RCTC
1b	Bearing 32216	59132216	140	80	35,25	1	
2a	Oil seal	5441401	140	82	-	1	9RNTI
2b	Nilos 32213	5531091	109	-	-	1	
2c	Nilos 32216	5511401	140	-	-	1	
3a	Crown nut	57548B6	M48X1,5	65	-	2	9RDF4865
3b	Spring pin	58209	5	58	-	2	
4a	Cap with gasket	56112518	139	62	-	2	9RT125AC
4b	Screw M8X1,25	96308A0101	-	-	-	12	
5	Hub 8 holes for M20X1,5	61L8TD002	220	275	160	1	61L8TD002
	Hub 10 holes for M22X1,5	61L1TD002	280	335	160	1	61L1TD002
	Hub 10 holes for M22X1,5	61LRD001	175	225	160	1	61LRD001



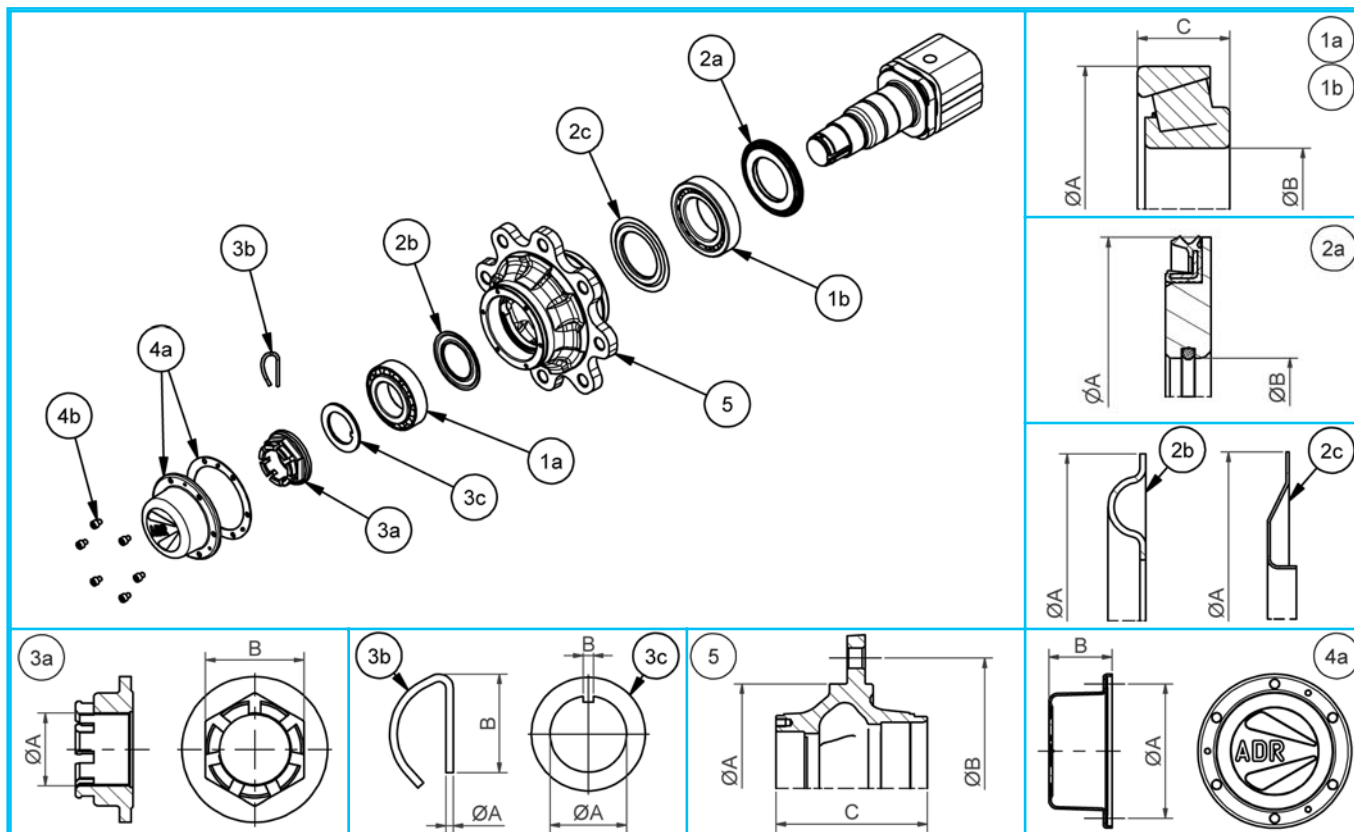
Item	Description	Code	A	B	C	Qty.	Kit code
1a	Bearing 32213	59132213	120	65	32,75	1	9RRTC
1b	Bearing 32216	59132216	140	80	35,25	1	
2a	Oil seal	5471403	140	82	-	1	9RNTR
3a	Crown nut	57548B6	M48X1,5	65	-	2	9RDF4865
3b	Spring pin	58209	5	58	-	2	
4a	Cap with gasket	56112518	139	62	-	2	9RT125AC
4b	Screw M8X1,25	96308A0101	-	-	-	12	
5	Hub 8 holes for M20X1,5	61L8TD004	220	275	160	1	61L8TD004
	Hub 10 holes for M22X1,5	61L1TD003	280	335	160	1	61L1TD003
6	Grease nipple	98608A1	M8X1,25	-	-	50	9R98608A1



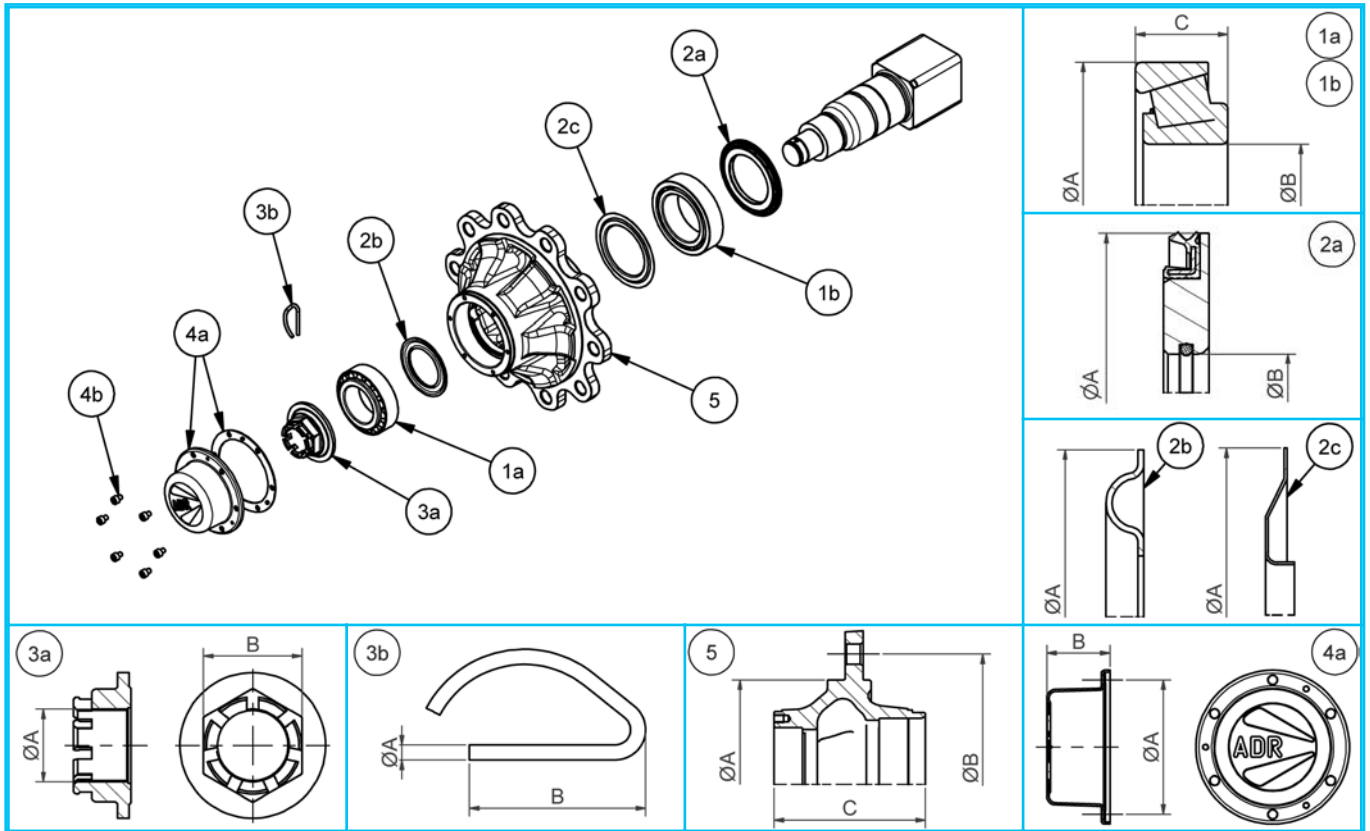
Item	Description	Code	A	B	C	Qty.	Kit code
1a	Bearing 32213	59132213	120	65	32,75	1	9RCTC
1b	Bearing 32216	59132216	140	80	35,25	1	
2a	Oil seal	5441401	140	82	-	1	9RNTI
2b	Nilos 32213	5531091	109	-	-	1	
2c	Nilos 32216	5511401	140	-	-	1	
3a	Crown nut	57558B1	M58X1,5	80	-	2	9RDF5865
3b	Spring pin	58212	5	65	-	2	
3c	Lock washer	57B5801	60,5	8	-	2	
4a	Cap with gasket	56112518	139	62	-	2	9RT125AC
4b	Screw M8X1,25	96308A0101	-	-	-	12	
5	Hub 8 holes for M20X1,5	61L8TD002	220	275	160	1	61L8TD002
	Hub 10 holes for M22X1,5	61L1TD002	280	335	160	1	61L1TD002
	Hub 10 holes for M22X1,5	61LRD001	175	225	160	1	61LRD001



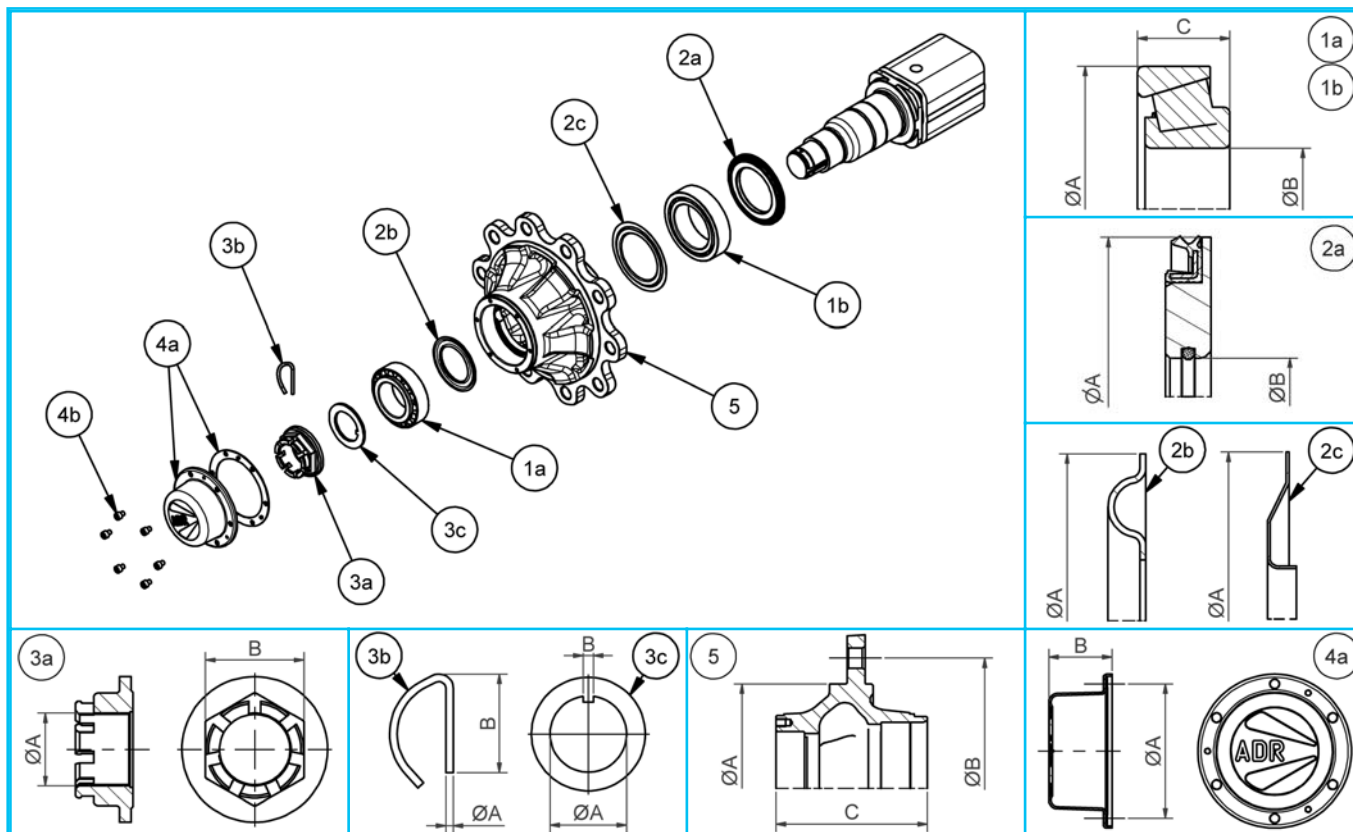
Item	Description	Code	A	B	C	Qty.	Kit code
1a	Bearing 32213	59132213	120	65	32,75	1	9RCTE
1b	Bearing 32018X	59132018X	140	90	32	1	
2a	Oil seal	5441402	140	92	-	1	9RNTE
2b	Nilos 32213	5531091	109	-	-	1	
2c	Nilos 32018X	5511402	140	-	-	1	
3a	Crown nut	57548B6	M48X1,5	65	-	2	9RDF4865
3b	Spring pin	58209	5	58	-	2	
4a	Cap with gasket	56112518	139	62	-	2	9RT125AC
4b	Screw M8X1,25	96308A0101	-	-	-	12	
5	Hub 8 holes for M20X1,5	61L8TD002	220	275	160	1	61L8TD002
	Hub 10 holes for M22X1,5	61L1TD002	280	335	160	1	61L1TD002
	Hub 10 holes for M22X1,5	61LRD001	175	225	160	1	61LRD001



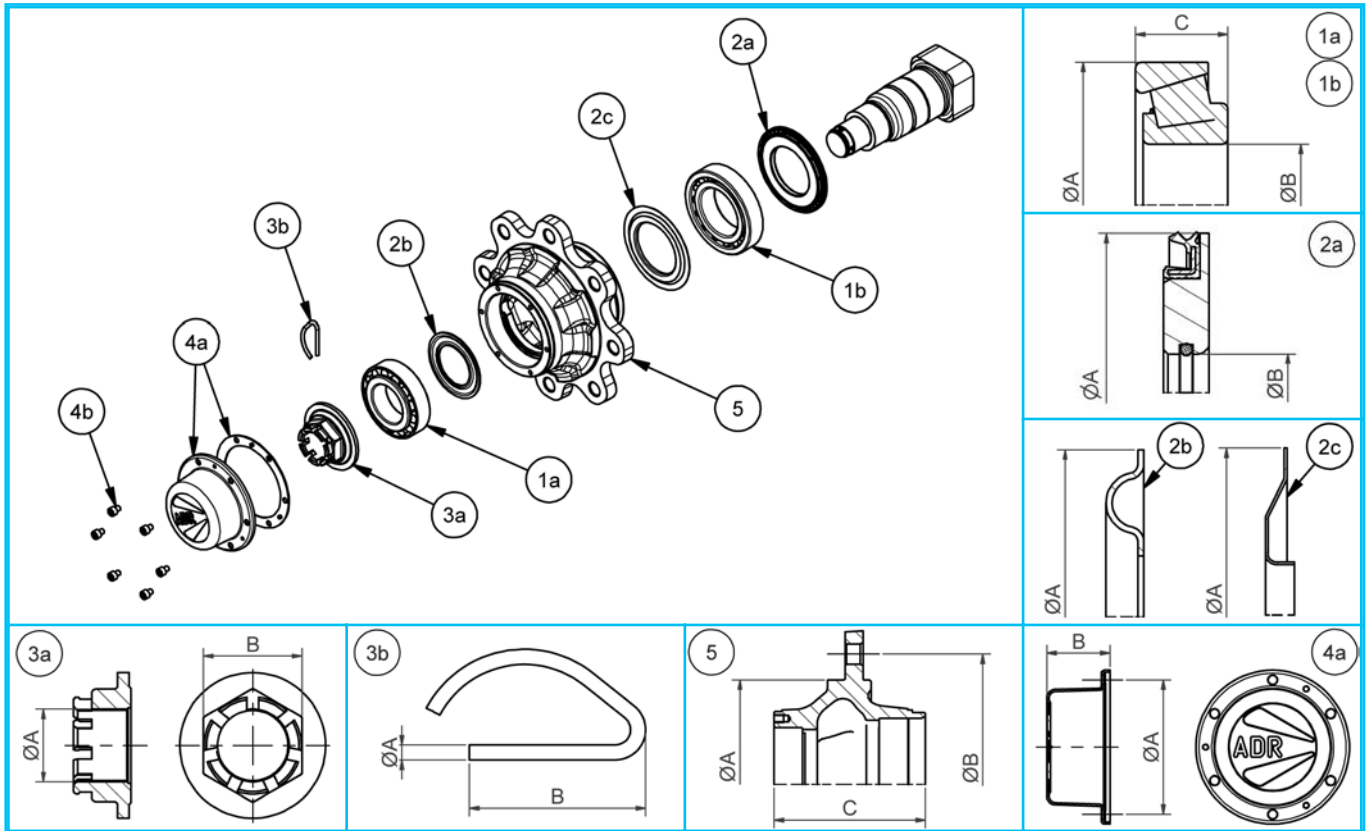
Item	Description	Code	A	B	C	Qty.	Kit code
1a	Bearing 32213	59132213	120	65	32,75	1	9RCTE
1b	Bearing 32018X	59132018X	140	90	32	1	
2a	Oil seal	5441402	140	92	-	1	9RNTE
2b	Nilos 32213	5531091	109	-	-	1	
2c	Nilos 32018X	5511402	140	-	-	1	
3a	Crown nut	57558B1	M58X1,5	80	-	2	9RDF5865
3b	Spring pin	58212	5	65	-	2	
3c	Lock washer	57B5801	60,5	8	-	2	
4a	Cap with gasket	56112518	139	62	-	2	9RT125AC
4b	Screw M8X1,25	96308A0101	-	-	-	12	
5	Hub 8 holes for M20X1,5	61L8TD002	220	275	160	1	61L8TD002
	Hub 10 holes for M22X1,5	61L1TD002	280	335	160	1	61L1TD002
	Hub 10 holes for M22X1,5	61LRD001	175	225	160	1	61LRD001



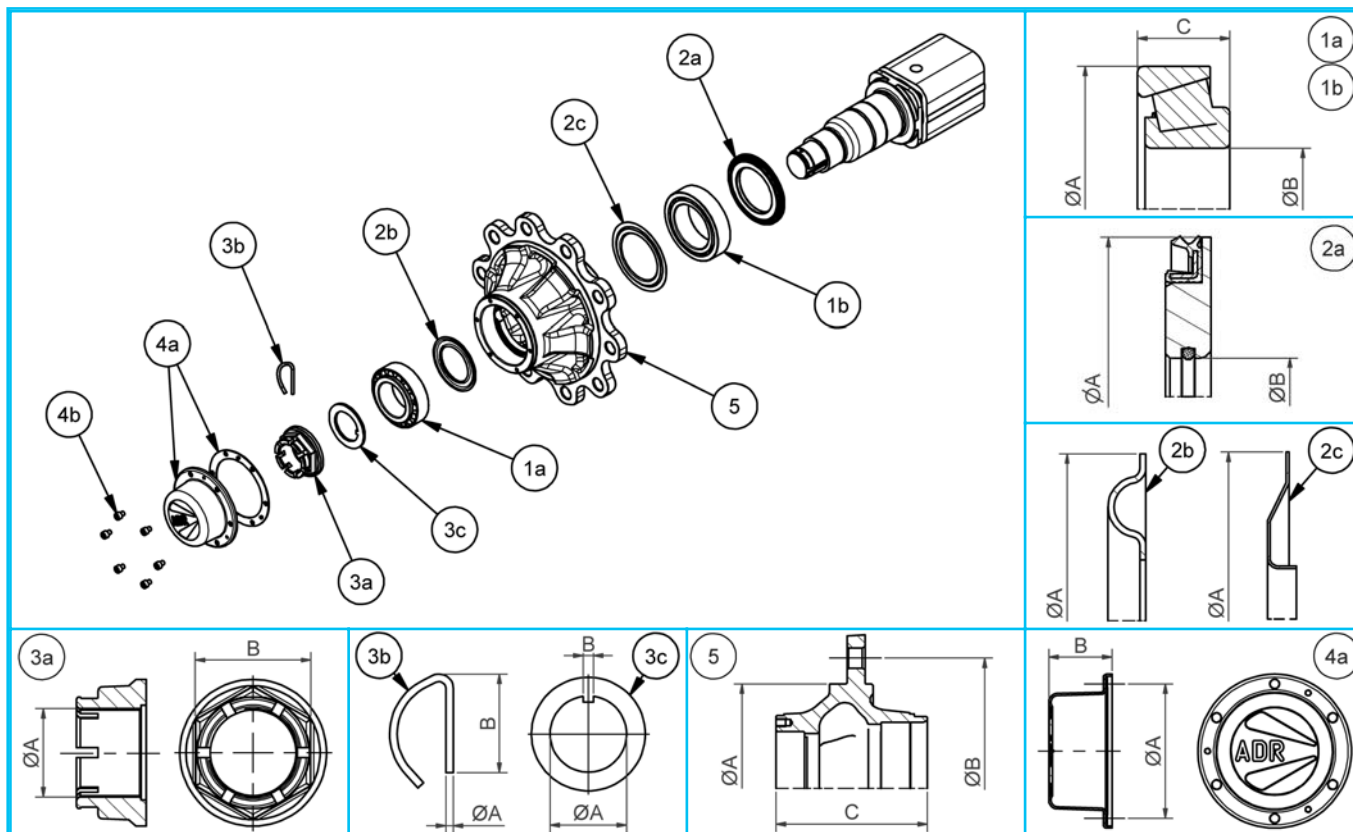
Item	Description	Code	A	B	C	Qty.	Kit code
1a	Bearing 33114	59133114	120	70	37	1	9RCUA
1b	Bearing 33018	59133018	140	90	39	1	
2a	Oil seal	5441402	140	92	-	1	9RNUA
2b	Nilos 33114	5531092	109	-	-	1	
2c	Nilos 33018	5511402	140	-	-	1	
3a	Crown nut	57548B6	M48X1,5	65	-	2	9RDF4865
3b	Spring pin	58209	5	58	-	2	
4a	Cap with gasket	56112518	139	62	-	2	9RT125AC
4b	Screw M8X1,25	96308A0101	-	-	-	12	
5	Hub 8 holes for M20X1,5	61L8UA002	220	275	198	1	61L8UA002
	Hub 10 holes for M22X1,5	61L1UA003	280	335	198	1	61L1UA003
	Hub 10 holes for M22X1,5	61LRUA001	175	225	198	1	61LRUA001



Item	Description	Code	A	B	C	Qty.	Kit code
1a	Bearing 33114	59133114	120	70	37	1	9RCUA
1b	Bearing 33018	59133018	140	90	39	1	
2a	Oil seal	5441402	140	92	-	1	9RNUA
2b	Nilos 33114	5531092	109	-	-	1	
2c	Nilos 33018	5511402	140	-	-	1	
3a	Crown nut	57558B1	M58X1,5	80	-	2	9RDF5865
3b	Spring pin	58212	5	65	-	2	
3c	Lock washer	57B5801	60,5	8	-	2	
4a	Cap with gasket	56112518	139	62	-	2	9RT125AC
4b	Screw M8X1,25	96308A0101	-	-	-	12	
5	Hub 8 holes for M20X1,5	61L8UA002	220	275	198	1	61L8UA002
	Hub 10 holes for M22X1,5	61L1UA003	280	335	198	1	61L1UA003
	Hub 10 holes for M22X1,5	61LRUA001	175	225	198	1	61LRUA001

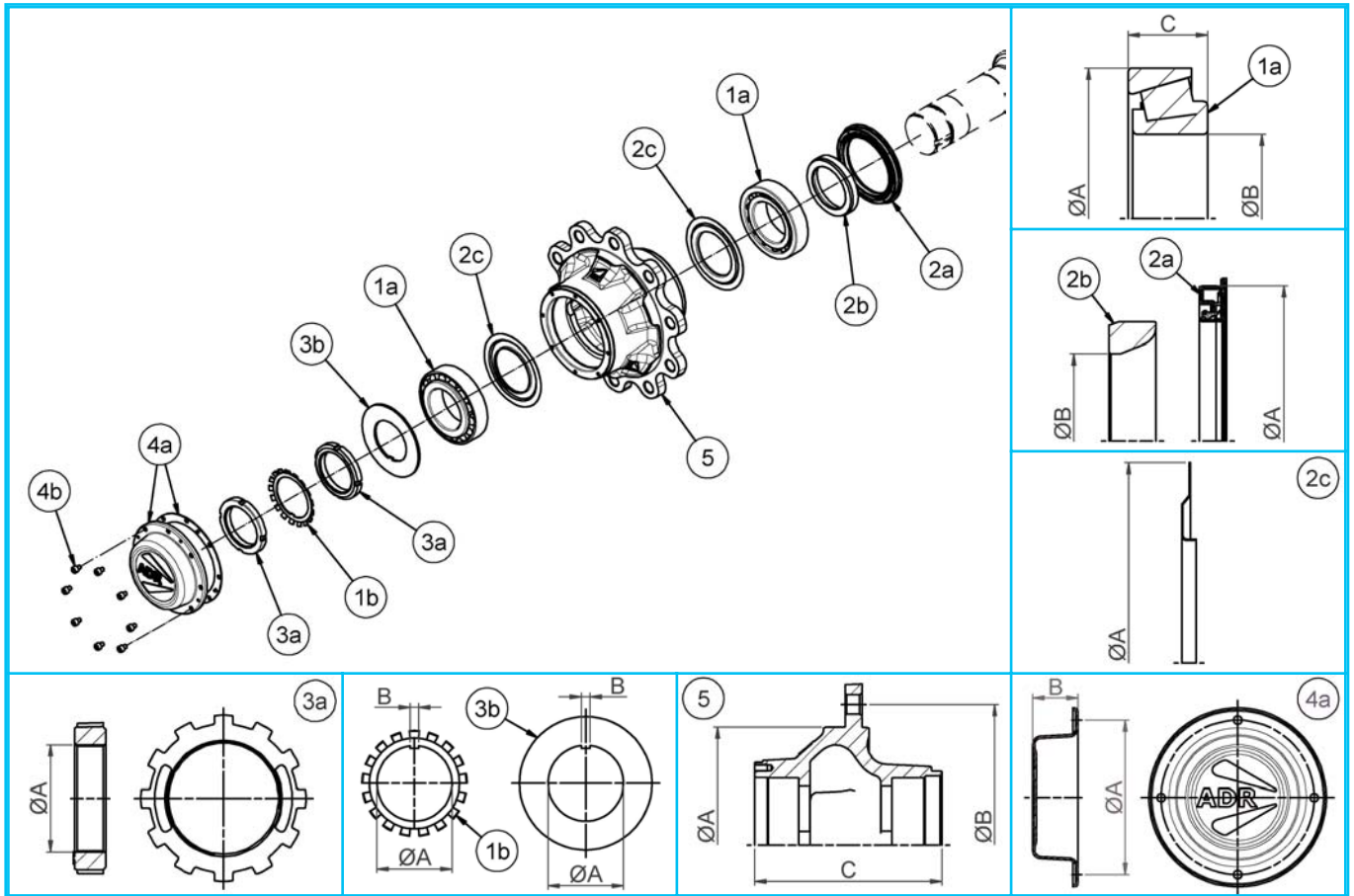


Item	Description	Code	A	B	C	Qty.	Kit code
1a	Bearing 32214	59132214	125	70	33,25	1	9RCUI
1b	Bearing 32217	59132217	150	85	38,5	1	
2a	Oil seal	5441501	150	87	-	1	9RNUI
2b	Nilos 32214	5531141	114	-	-	1	
2c	Nilos 32217	5511502	150	-	-	1	
3a	Crown nut	57548B6	M48X1,5	65	-	2	9RDF4865
3b	Spring pin	58209	5	58	-	2	
4a	Cap with gasket	56112518	139	62	-	2	9RT125AC
4b	Screw M8X1,25	96308A0101	-	-	-	12	
5	Hub 8 holes for M20X1,5	61L8UI002	220	275	167	1	61L8UI002
	Hub 10 holes for M22X1,5	61L1UI002	280	335	167	1	61L1UI002
	Hub 10 holes for M22X1,5	61LRUI001	175	225	167	1	61LRUI001

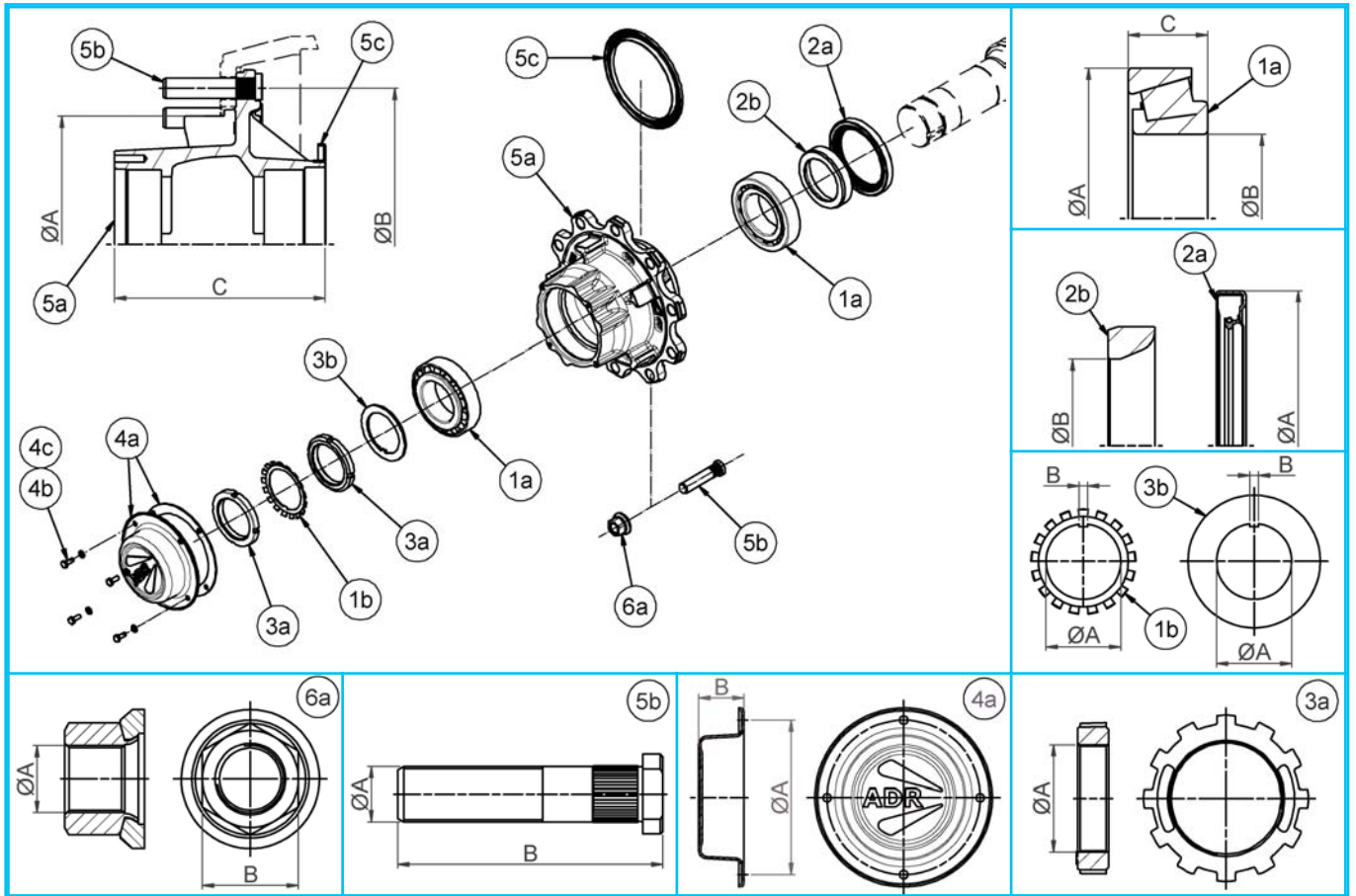


Item	Description	Code	A	B	C	Qty.	Kit code
1a	Bearing 33215	59133215	130	75	41	1	9RCVF
1b	Bearing 33020	59133020	150	100	39	1	
2a	Oil seal	5441505	150	102	-	1	9RNVF
2b	Nilos 33215	5531191	119	-	-	1	
2c	Nilos 33020	5511501	150	-	-	1	
3a	Crown nut	57570D1	M70X2,0	90	-	2	(1) 9RDF7090
3b	Spring pin	58207	7	106	-	2	
3a	Crown nut	57570D2	M70X2,0	90	-	2	9RP002
3b	Spring pin	58214	7	76	-	2	
3c	Lock washer	57B7002	70,5	8	-	2	
4a	Cap with gasket	56113018	144	80	-	2	9RT130L
4b	Screw M8X1,25	96308A0101	-	-	-	12	
5	Hub 10 holes for M22X1,5	61L1VI001	280	335	204	1	61L1VI001

(1) - For axles produced till 2013, without lock washer.



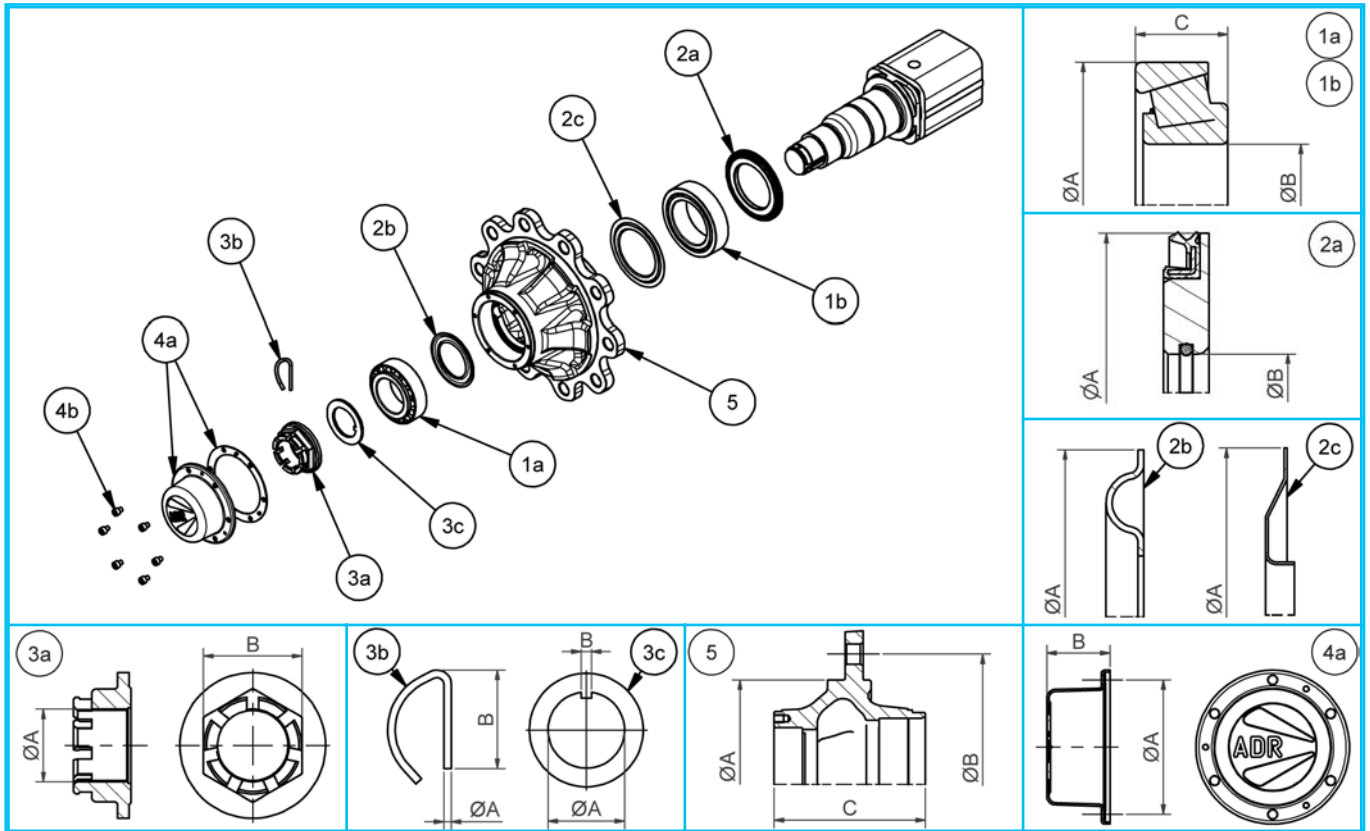
Item	Description	Code	A (mm)	B (mm)	C (mm)	Qty.	Kit code
1a	Bearing 32218	59132218A	160	90	42,5	2	9RCPB
1b	Lock washer	98809001	90	10	-	1	
2a	Oil seal	5481601	165	-	-	1	9RNPB
2c	Nilos	5511601	160	-	-	2	
2b	Cone for oil seal	54S1601	-	93	-	1	9RNPB1
3a	Round nut	98490D1	M90x2	-	-	2	9RDFPB
3b	Lock washer	57B9002	90	10	-	1	
1b	Lock washer	98809001	90	10	-	1	
4a	Cap with gasket	56116001	184	48	-	1	9RT160AC
4b	Screw M8x1,25	96308A0101	-	-	-	8	
5	Hub 10 holes for M22x1,5	61L1PB001	280	335	225	1	61L1PB001



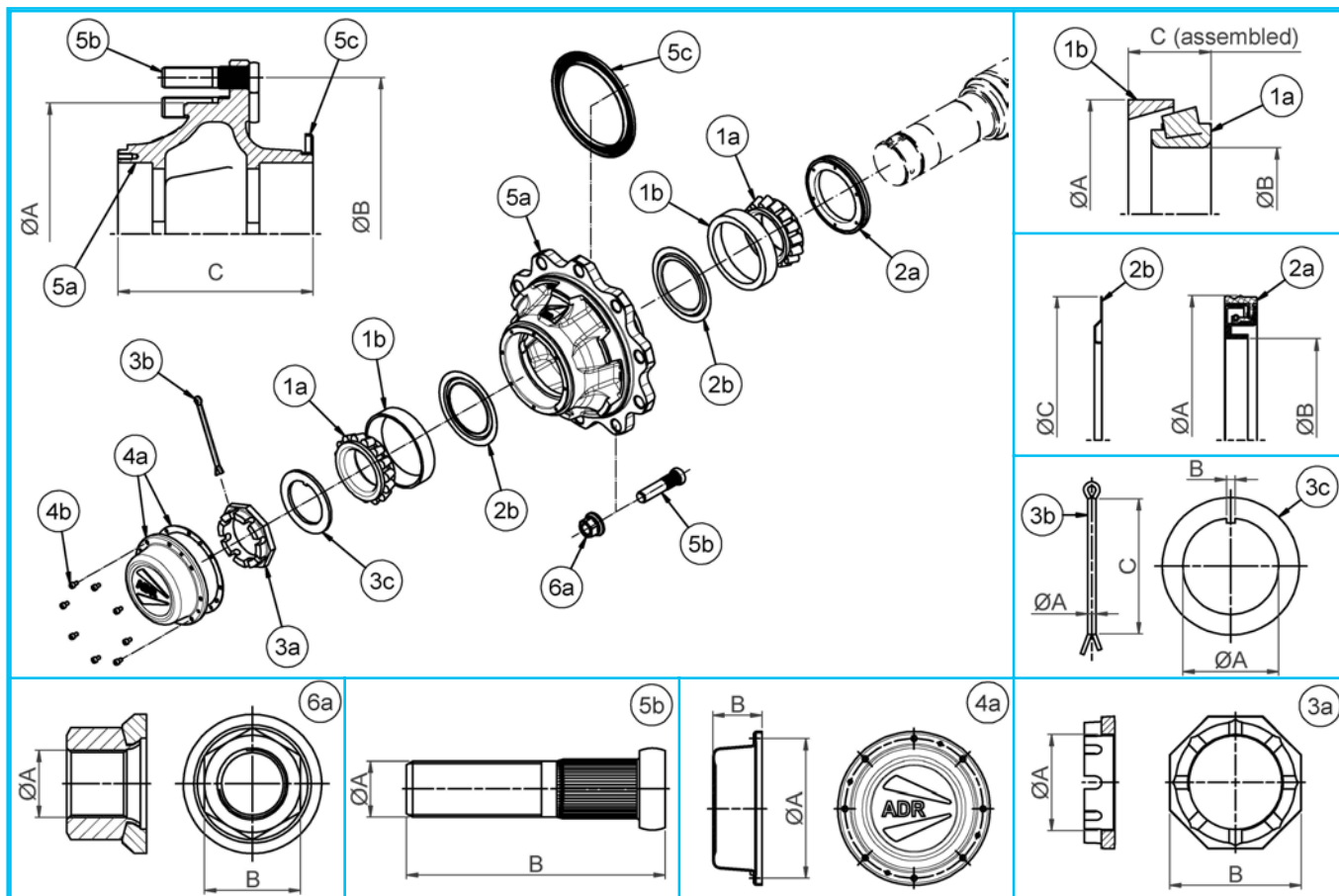
Item	Description	Code	A (mm)	B (mm)	C (mm)	Qty.	Kit code
1a	Bearing 32218	59132218A	160	90	42,5	2	9RCPL
1b	Lock washer	98809004	90	10	-	1	
2a	Oil seal	5491651	165	-	-	1	9RNPL2
2b	Cone for oil seal	54S1603	-	93	-	1	
3a	Nut	98490D2	M90x2	-	-	2	9RDFPL
3b	Lock washer	57B9002	90	10	-	1	
1b	Lock washer	98809004	90	10	-	1	
4a	Cap with gasket	56116010	184	55	-	1	(1) 9RTPL01
4b	Screw M8x1,25	96108A0201	-	-	-	4	
4c	Elastic washer Ø8	9830081	-	-	-	4	
5a	Hub 10 holes for M22x1,5	61L1PL003	280	335	225	1	(1) 9RHUPL02
5b	Wheel stud	57122B11	M22x1,5	106	-	10	
5c	Phonic wheel	739124	-	-	-	1	
5b	Wheel stud	57122B11	M22x1,5	106	-	10	9RC22B11-10
6a	Wheel nut	57322B3	M22x1,5	32	-	10	9RD22I-10

(1) - For axles produced from 2015.

Axle type - ZA -

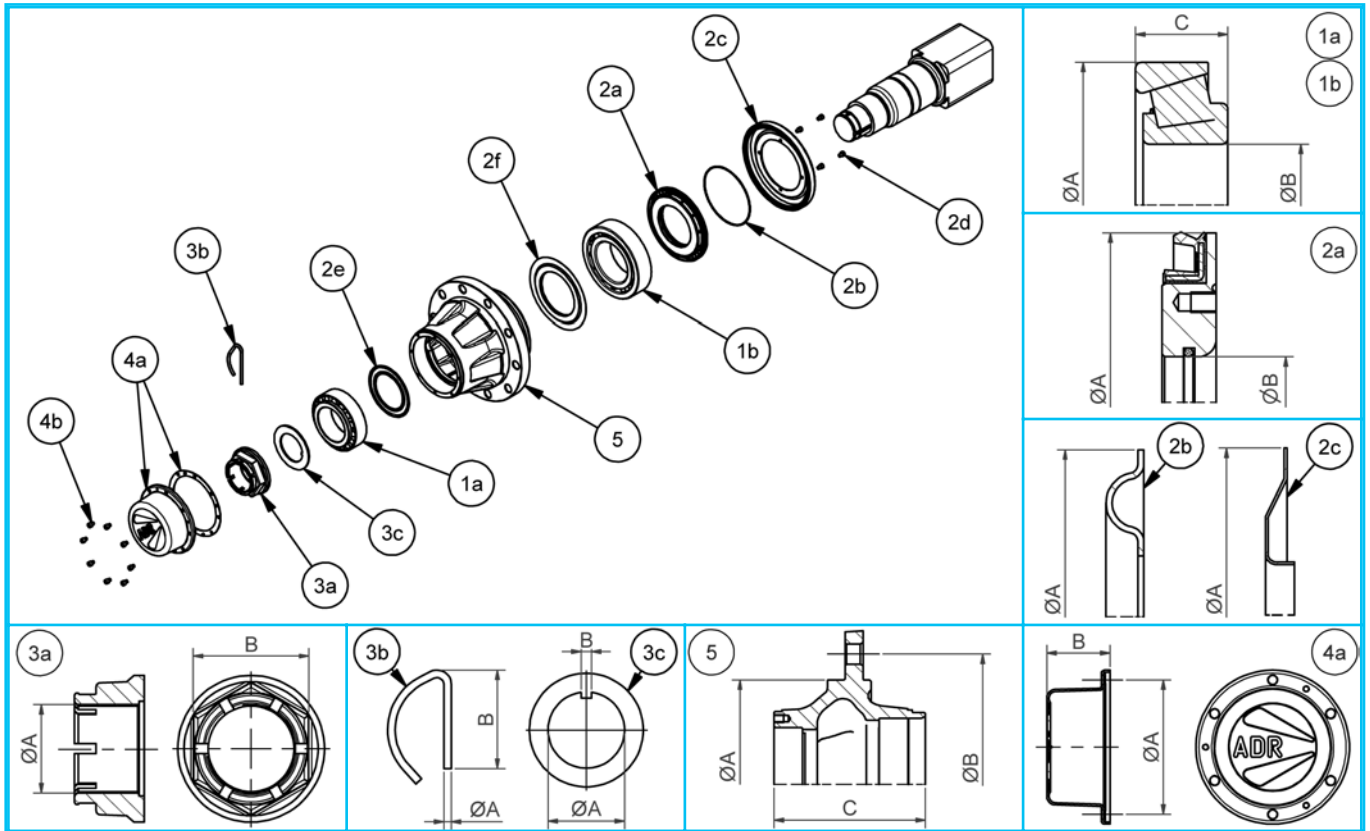


Item	Description	Code	A	B	C	Qty.	Kit code
1a	Bearing 33118	59133118	150	90	45	1	9RCZA
1b	Bearing 33122	59133122	180	110	56	1	
2a	Oil seal	5441801	180	112	-	1	9RNZA
2b	Nilos 33118	5531391	139	-	-	1	
2c	Nilos 33122	5511801	180	-	-	1	
3a	Crown nut	57570D2	M70X2,0	90	-	2	9RDFVR
3b	Spring pin	58214	7	76	-	2	
3c	Lock washer	57B7002	70,5	8	-	2	
4a	Cap with gasket	56115009	164	87	-	2	9RTZA01
4b	Screw M8X1,25	96308A0101	-	-	-	12	
5	Hub 10 holes for M22X1,5	61L1ZA001	280	335	247	1	61L1ZA001

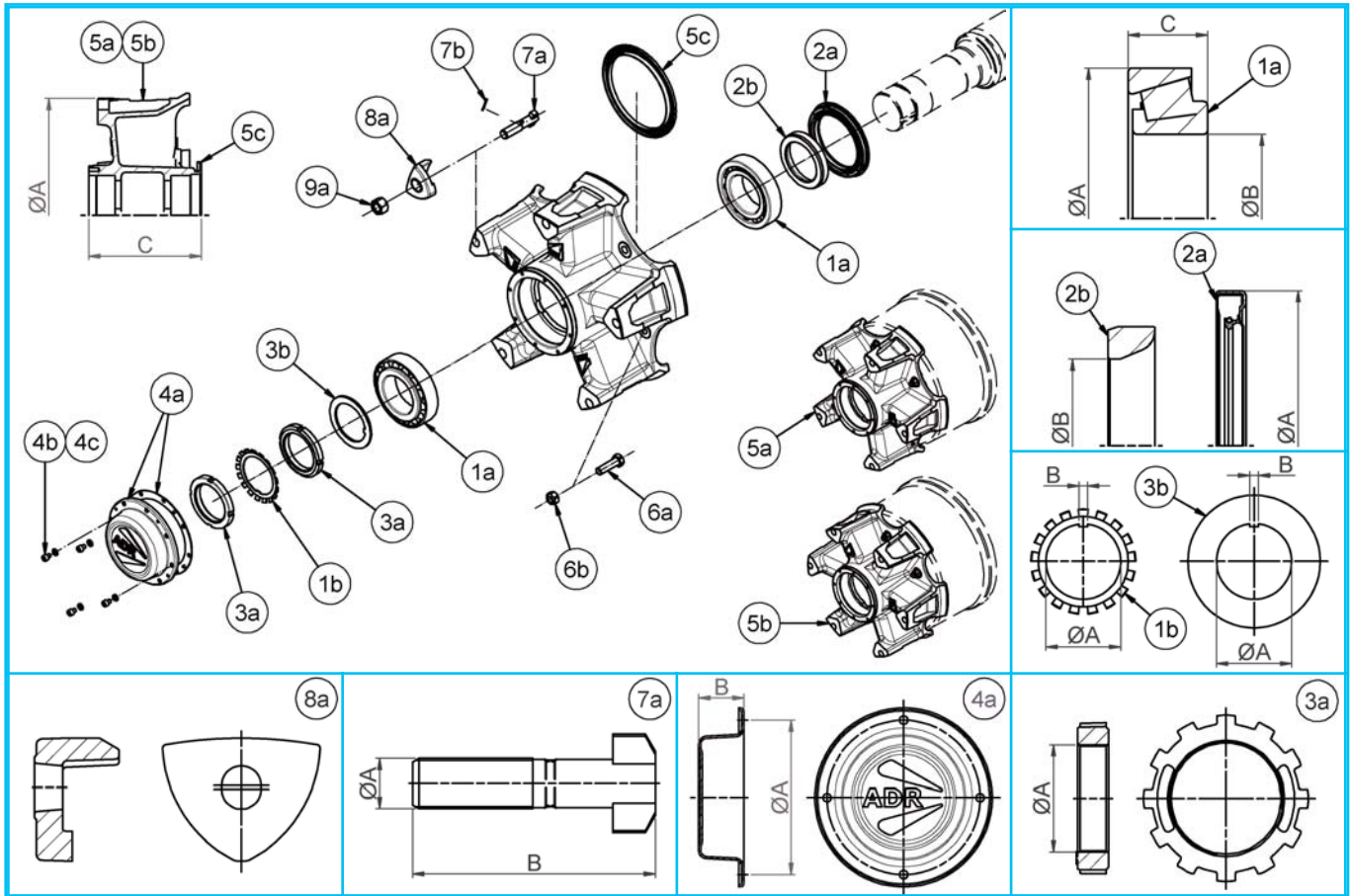


Item	Description	Code	A (mm)	B (mm)	C (mm)	Qty.	Kit code
1a	Cone HM518445	598518445A	-	152,4	39,7	2	9RCZL
1b	Cup HM518410	599518410A	88,9	-	39,7	2	
2a	Oil seal	5481521	153,5	108	-	1	9RNZL
2b	Nilos	5511521	-	-	152	2	
3a	Crown nut	575Z3B1	3"1/2 - 12UN	122	-	1	9RDFZL
3b	Split pin	58113	8	-	140	1	
3c	Lock washer	57B8901	89,5	8	-	1	
4a	Cap with gasket	56115201	166	59	-	1	9RT152AC
4b	Screw M6x1	9630610101	-	-	-	8	
5a	Hub 10 holes for M22x1,5	61L1ZL001	280	335	208	1	9RHUZL01
5b	Wheel stud	57122B12	M22x1,5	103	-	10	
5c	Phonic wheel	739119	-	-	-	1	
5b	Wheel stud	57122B12	M22x1,5	103	-	10	9RC22B12-10
6a	Wheel nut	57322B3	M22x1,5	32	-	10	9RD22I-10

Axle type - WA -



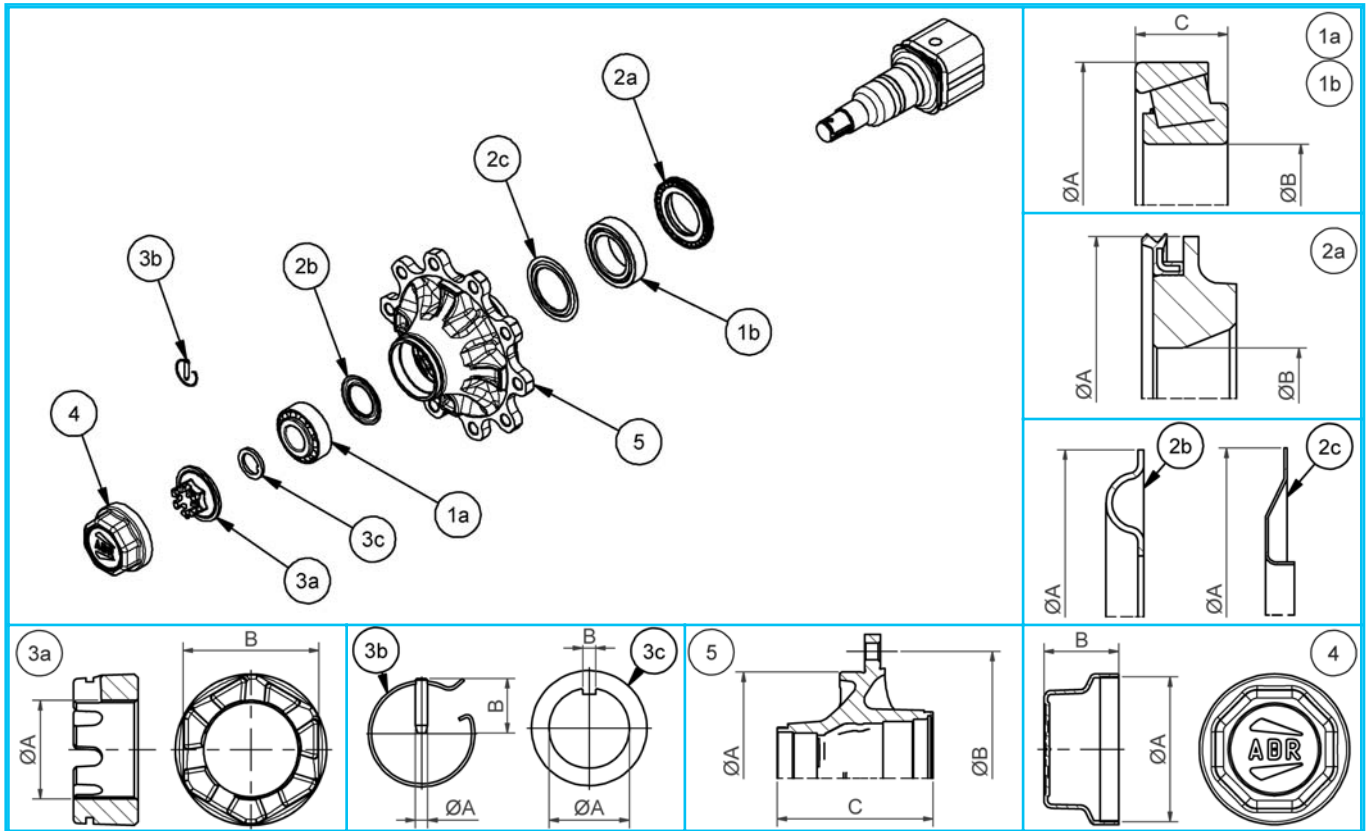
Item	Description	Code	A	B	C	Qty.	Kit code
1a	Bearing 33122	59133122	180	110	56	1	9RCWA
1b	Bearing 32226	59132226	230	130	67,75	1	
2a	Oil seal with o-ring	5442301	230	132	-	1	9RNWA
2b	O-ring W2,62 Ø183,62	53118301	-	-	-	1	
2c	Dust cover	5551751	-	-	-	1	
2d	Screw M8X1,25	96308A0101	-	-	-	4	
2e	Nilos 33122	5531641	164	-	-	1	
2f	Nilos 32226	5512301	230	-	-	1	
3a	Crown nut	57590D3	M90X2,0	120	-	2	9RDFWA
3b	Spring pin	58213	7	96	-	2	
3c	Lock washer	57B9001	90,5	8	-	2	
4a	Cap with gasket	56118009	195	85	-	2	9RTWA01
4b	Screw M8X1,25	96308A0101	-	-	-	16	
5	Hub 10 holes for M24X1,5	61L1WA001	280	335	270	1	61L1WA001



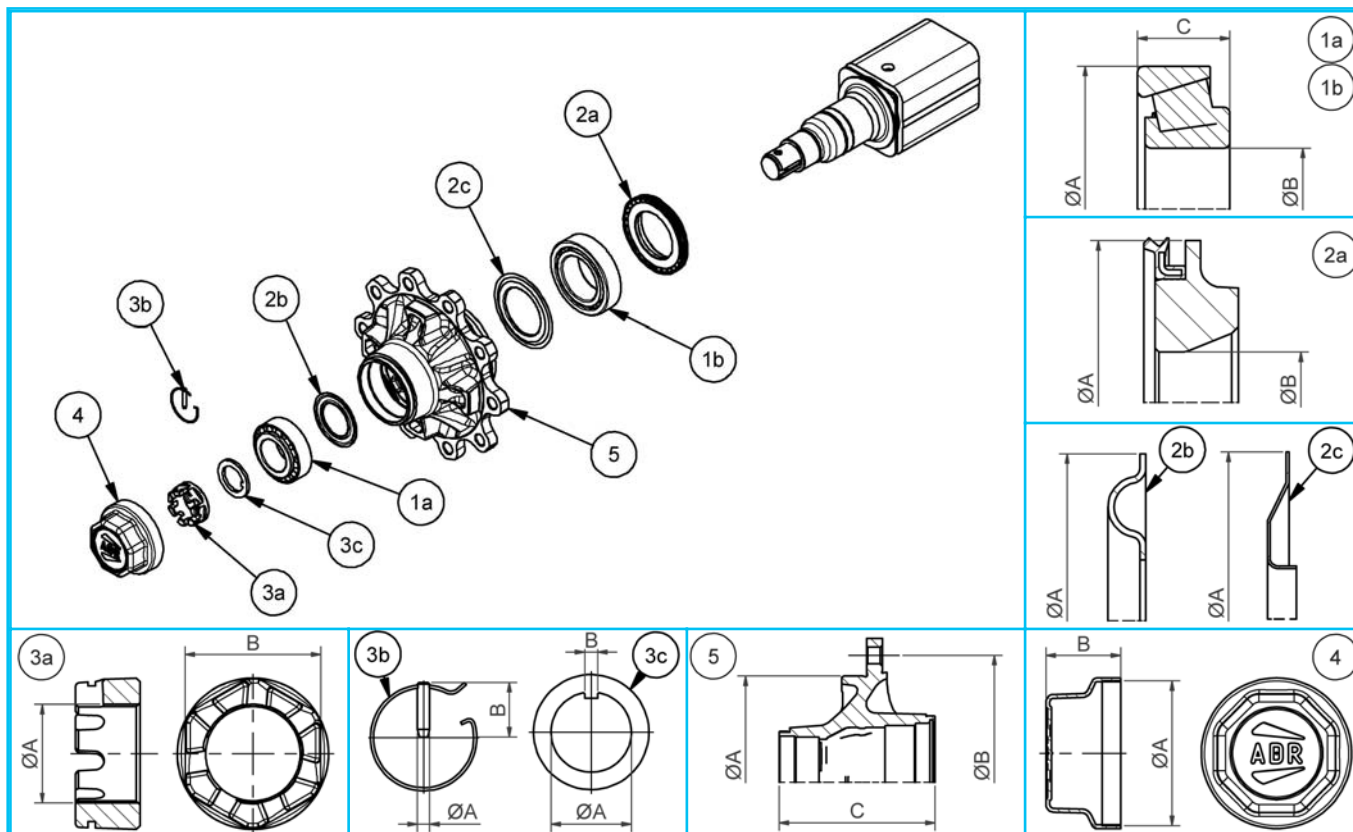
Item	Description	Code	A (mm)	B (mm)	C (mm)	Qty.	Kit code
1a	Bearing 32218	59132218A	160	90	42,5	2	9RCPL
1b	Lock washer	98809004	90	10	-	1	9RCPL
2a	Oil seal	5491651	165	-	-	1	9RNPL2
2b	Cone for oil seal	54S1603	-	93	-	1	9RNPL2
3a	Nut	98490D2	M90x2	-	-	2	9RDFPL
3b	Lock washer	57B9002	90	10	-	1	9RDFPL
1b	Lock washer	98809004	90	10	-	1	9RDFPL
4a	Cap with gasket	56116010	184	55	-	1	(1) 9RTPL01
4b	Screw M8x1,25	96108A0201	-	-	-	4	(1) 9RTPL01
4c	Elastic washer Ø8	9830081	-	-	-	4	(1) 9RTPL01
5a	Hub 5 spokes	61LZPA005	470	-	225	1	(1) 9RHUPA03
5c	Phonic wheel	739124	-	-	-	1	(1) 9RHUPA03
6a	Screw M16x2 L55	96116D0551	-	-	-	5	9RC20PA1-5
6b	Nut M16x2	97816D1	-	-	-	5	9RC20PA1-5
7a	Wheel stud	57220B1	M20x1,5	97	-	5	9RC20PA-5
7b	Split pin	58109	-	-	-	5	9RC20PA-5
8a	Wheel bracket	57E201	-	-	-	5	9RD20PA1-5
9a	Nut M20x1,5	57320B1	-	-	-	5	9RD20PA-5
5b	Hub 6 spokes	61LZPA006	470	-	225	1	(1) 9RHUPA04
5c	Phonic wheel	739124	-	-	-	1	(1) 9RHUPA04
6a	Screw M16x2 L55	96116D0551	-	-	-	6	9RC20PA1-6
6b	Nut M16x2	97816D1	-	-	-	6	9RC20PA1-6
7a	Wheel stud	57220B1	M20x1,5	97	-	6	9RC20PA-6
7b	Split pin	58109	-	-	-	6	9RC20PA-6
8a	Wheel bracket	57E201	-	-	-	6	9RD20PA1-6
9a	Nut M20x1,5	57320B1	-	-	-	6	9RD20PA-6

(1) - For axles produced from 2015.

Axle type - RW and RJ -

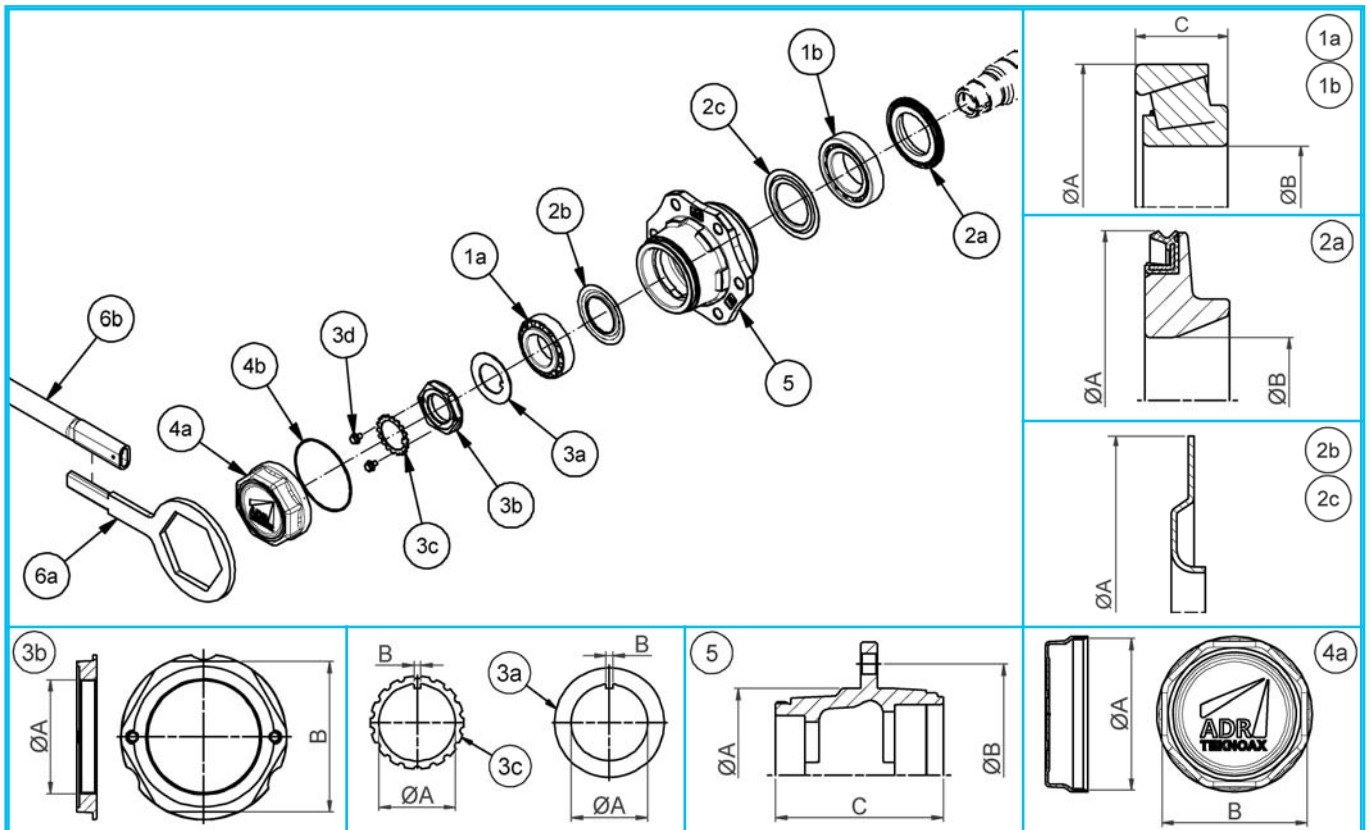


Item	Description	Code	A	B	C	Qty.	Kit code
1a	Bearing 32310	59132310	110	50	42,25	1	9RCWF
1b	Bearing 33116	59133116	130	80	37	1	
2a	Oil seal	5441371	137	86	-	1	9RNWF
2b	Nilos 32310	5530991	99	-	-	1	
2c	Nilos 33116	5511302	130	-	-	1	
3a	Crown nut	57542D1	M42X2,0	60	-	2	9RP0016
3b	Spring pin	58105	8	36	-	2	
3c	Lock washer	57B4201	43	8,5	-	2	
4	Cap	56311002	M125X2,0	69	-	2	9RTF125W
5	Hub 10 holes for M22X1,5	61L1RW004	280	335	193	1	61L1RW004

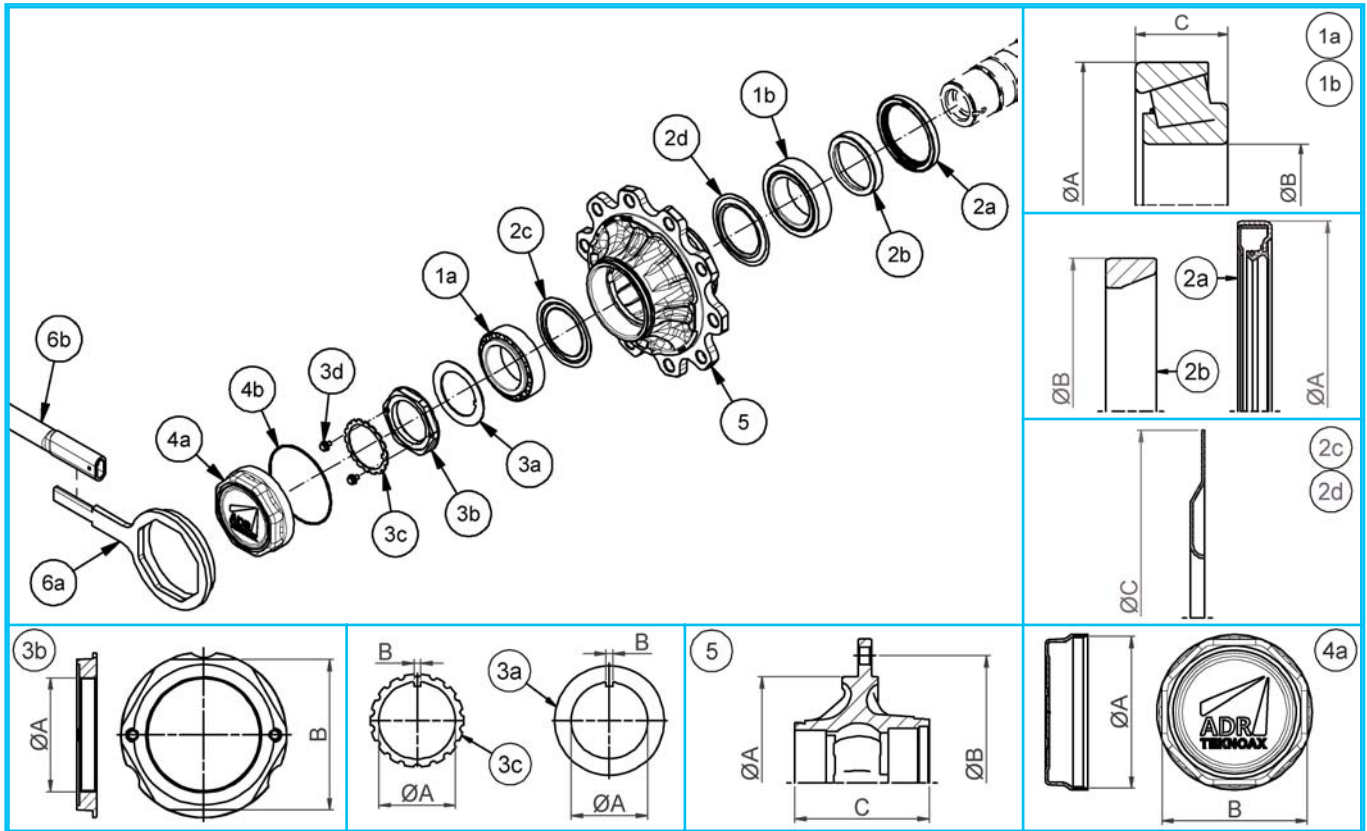


Item	Description	Code	A	B	C	Qty.	Kit code
1a	Bearing 33213	59133213	120	65	41	1	9RCXL
1b	Bearing 33118	59133118	150	90	45	1	
2a	Oil seal	5441561	156,5	96,5	-	1	9RNXL
2b	Nilos 33213	5531091	109	-	-	1	
2c	Nilos 33118	5511503	150	-	-	1	
3a	Crown nut	57552D1	M52X2,0	70	-	2	9RP0018
3b	Spring pin	58108	8	36	-	2	
3c	Lock washer	57B5301	53	8,5	-	2	
4	Cap	56312002	M135X2,0	69	-	2	9RTF130W
5	Hub 10 holes for M22X1,5	61L1XL004	280	335	206	1	61L1XL004
	Hub 10 holes for M22X1,5	61LRXL001	175	225	206	1	61LRXL001

Axle type - 1H -

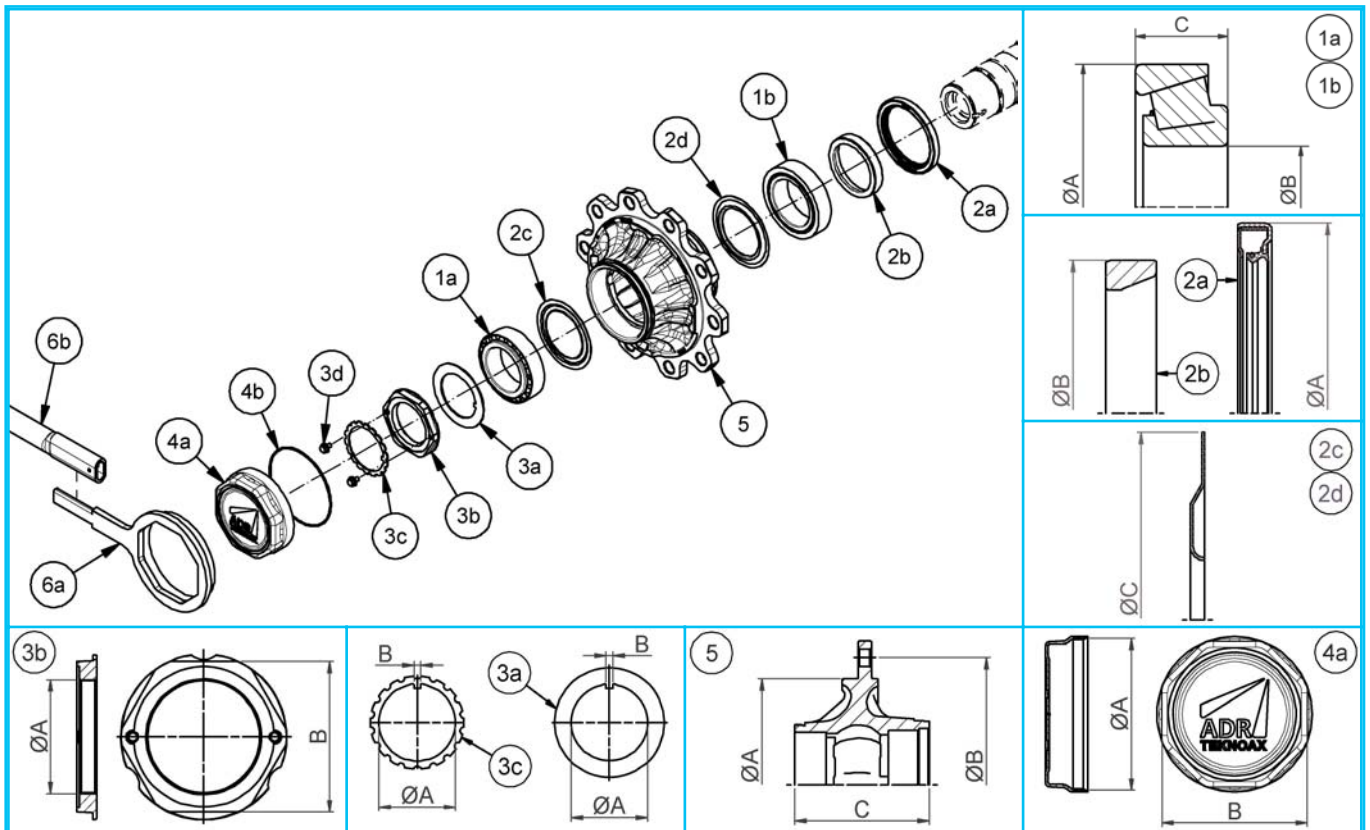


Item	Description	Code	A	B	C	Qty.	Kit code
1a	Bearing 32212	59132212	110	60	29,75	1	9RCRC
1b	Bearing 32215	59132215	130	75	33,25	1	
2a	Oil seal	5441302	150	80	-	1	9RN1H
2b	Nilos 32212	5511101	-	-	110	1	
2c	Nilos 32215	5511301	-	-	130	1	
3a	Lock washer	57Z5C01	55,5	8	-	2	9RDF1H
3b	Nut		M55x1,5	85	-	2	
3c	Lock washer		56	8	-	2	
3d	Screw M8x1,25		-	-	-	4	
4a	Cap	56311012	M135x2	130	-	2	9RT1H01
4b	O-ring W2,62 Ø126,7	53112701	-	-	-	2	
5	Hub 6 holes for M18x1,5	61L61H001	160	205	155	1	61L61H001
	Hub 8 holes for M20x1,5	61L81H001	220	275	155	1	61L81H001
6a	Wrench for tightening the cap	990805	-	-	-	1	990805
6b	Lever for wrench	990804	-	-	-	1	990804

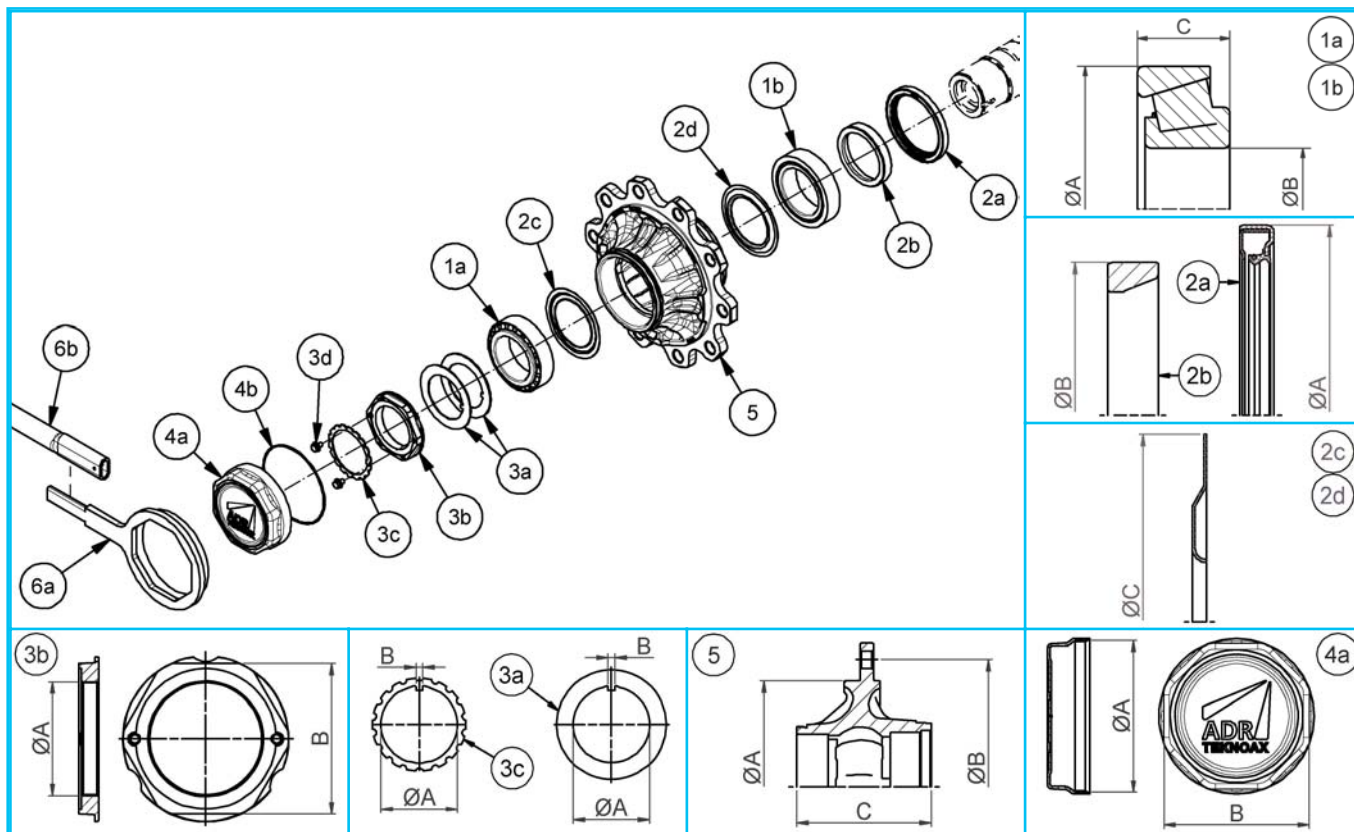


Item	Description	Code	A	B	C	Qty.	Kit code
1a	Bearing 32215	59132215	130	75	33,25	1	9RC1P
1b	Bearing 32216	59132216	140	80	35,25	1	
2a	Oil seal	5491451	150	-	-	1	9RN1P
2b	Cone for oil seal	54S1456	-	121	-	1	
2c	Nilos 32215	5511301	-	-	130	1	
2d	Nilos 32216	5511401	-	-	140	1	
3a	Lock washer	57Z1R01	70,5	8	-	2	9RDF1R
3b	Nut		M70x1,5	100	-	2	
3c	Lock washer		71	8	-	2	
3d	Screw M8x1,25		-	-	-	4	
4a	Cap	56313004	M150x2	145	-	2	9RT1R01
4b	O-ring W2,62 Ø145,7	53114601	-	-	-	2	
5	Hub 8 holes for M20x1,5	61L81R001	220	275	163	1	61L81R001
	Hub 10 holes for M22x1,5	61L11R001	280	335	163	1	61L11R001
6a	Wrench for tightening the cap	990806	-	-	-	1	990806
6b	Lever for wrench	990804	-	-	-	1	990804

Axle type - 1R -

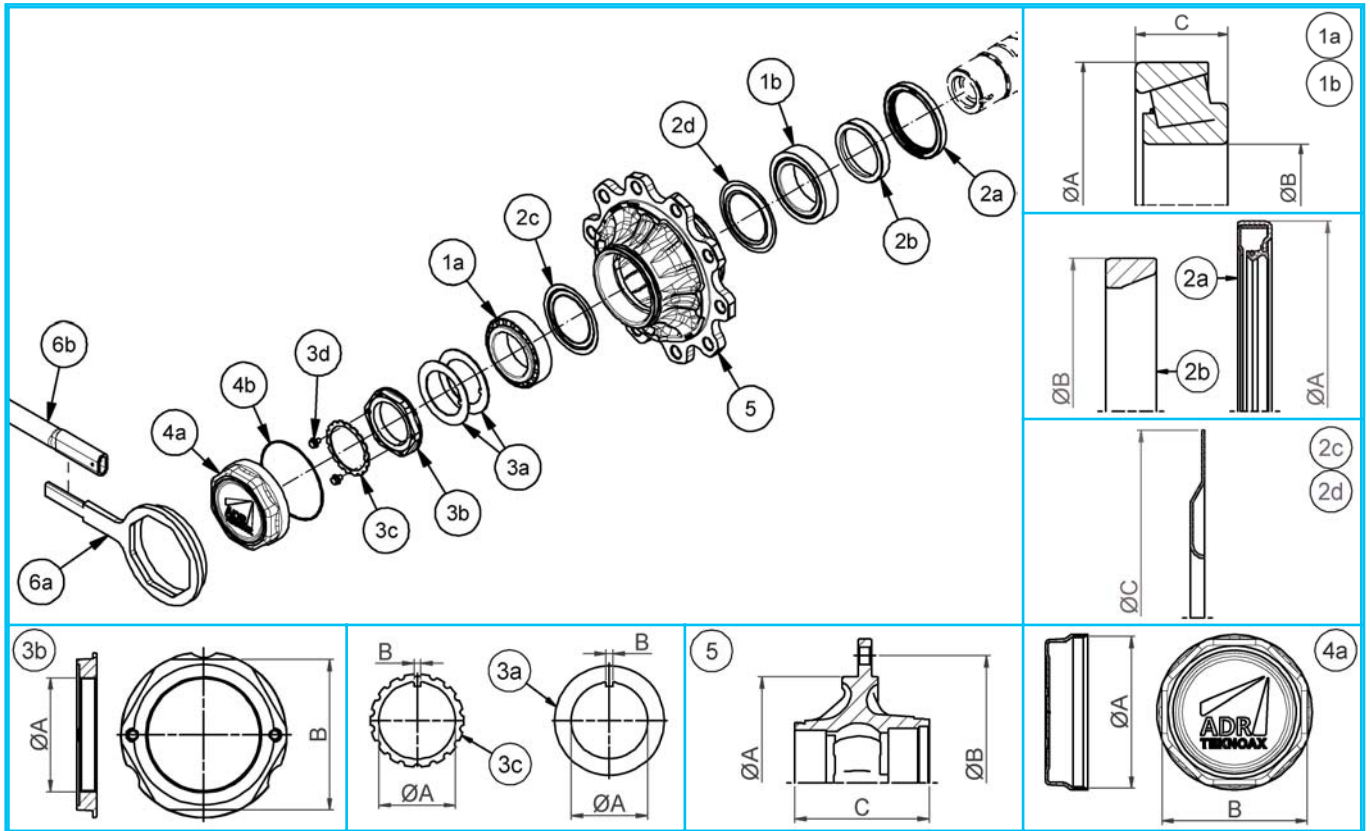


Item	Description	Code	A	B	C	Qty.	Kit code
1a	Bearing 32215	59132215	130	75	33,25	1	9RC1R
1b	Bearing 33018	59133018	140	90	39	1	
2a	Oil seal	5491451	150	-	-	1	9RN1R
2b	Cone for oil seal	54S1453	-	121	-	1	
2c	Nilos 32215	5511301	-	-	130	1	
2d	Nilos 33018	5511402	-	-	140	1	
3a	Lock washer	57Z1R01	70,5	8	-	2	9RDF1R
3b	Nut		M70x1,5	100	-	2	
3c	Lock washer		71	8	-	2	
3d	Screw M8x1,25		-	-	-	4	
4a	Cap	56313004	M150x2	145	-	2	9RT1R01
4b	O-ring W2,62 Ø145,7	53114601	-	-	-	2	
5	Hub 8 holes for M20x1,5	61L81R001	220	275	163	1	61L81R001
	Hub 10 holes for M22x1,5	61L11R001	280	335	163	1	61L11R001
6a	Wrench for tightening the cap	990806	-	-	-	1	990806
6b	Lever for wrench	990804	-	-	-	1	990804

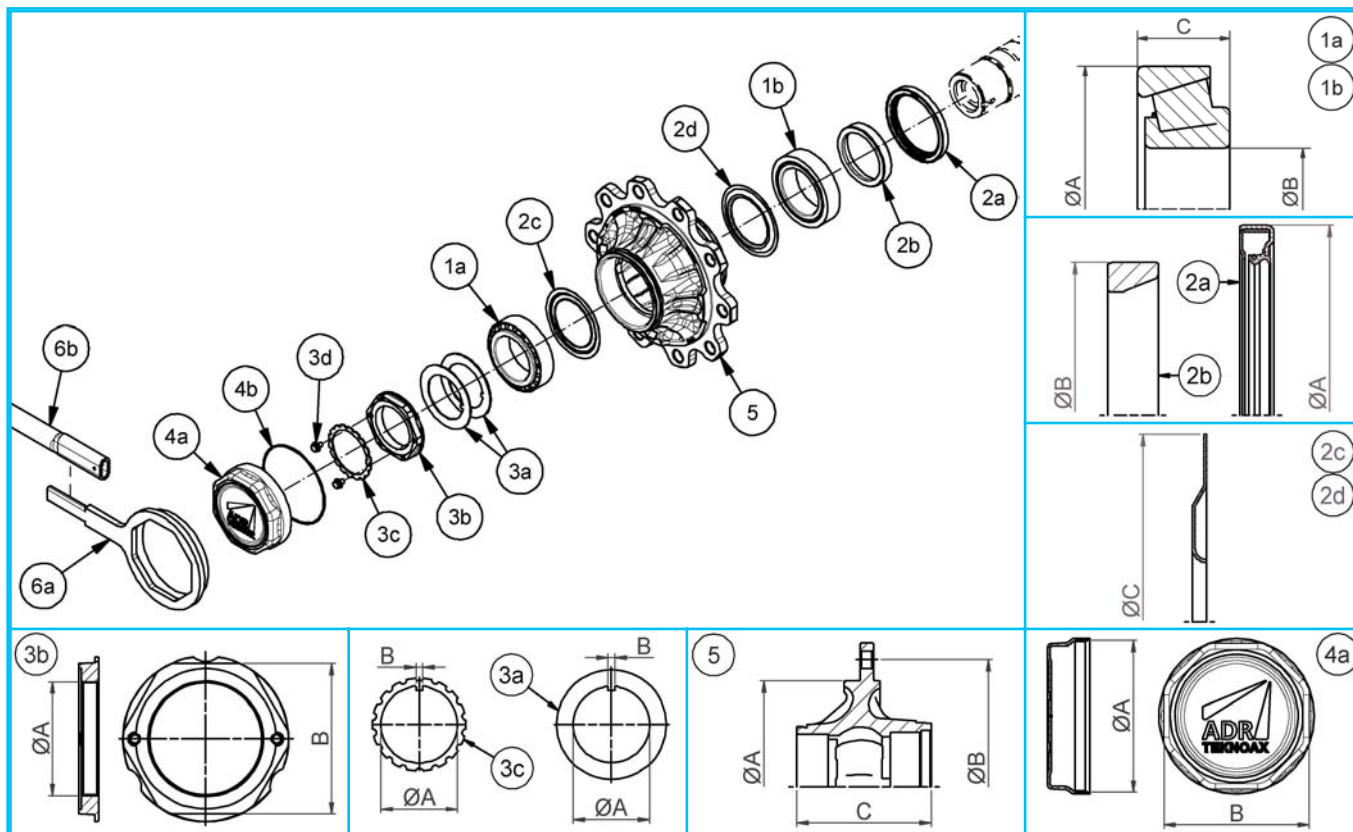


Item	Description	Code	A	B	C	Qty.	Kit code
1a	Bearing 33018	59133018	140	90	39	1	9RC1T
1b	Bearing 33019	59133019	145	95	39	1	
2a	Oil seal	5491451	150	-	-	1	9RN1T
2b	Cone for oil seal	54S1451	-	121	-	1	
2c	Nilos 33018	5511402	-	-	140	1	
2d	Nilos 33019	5511452	-	-	145	1	
3a	Lock washer	57Z1Y01	90,5	8	-	4	9RDF1T01
3b	Nut		M90x1,5	120	-	2	
3c	Lock washer		91	8,9	-	2	
3d	Screw M8x1,25		-	-	-	4	
4a	Cap	56314002	M160x2	155	-	2	9RT1T01
4b	O-ring W2,62 Ø152	53115201	-	-	-	2	
5	Hub 10 holes for M22x1,5	61L11T001	280	335	178	1	61L11T001
6a	Wrench for tightening the cap	990802	-	-	-	1	990802
6b	Lever for wrench	990804	-	-	-	1	990804

Axle type - 1V -

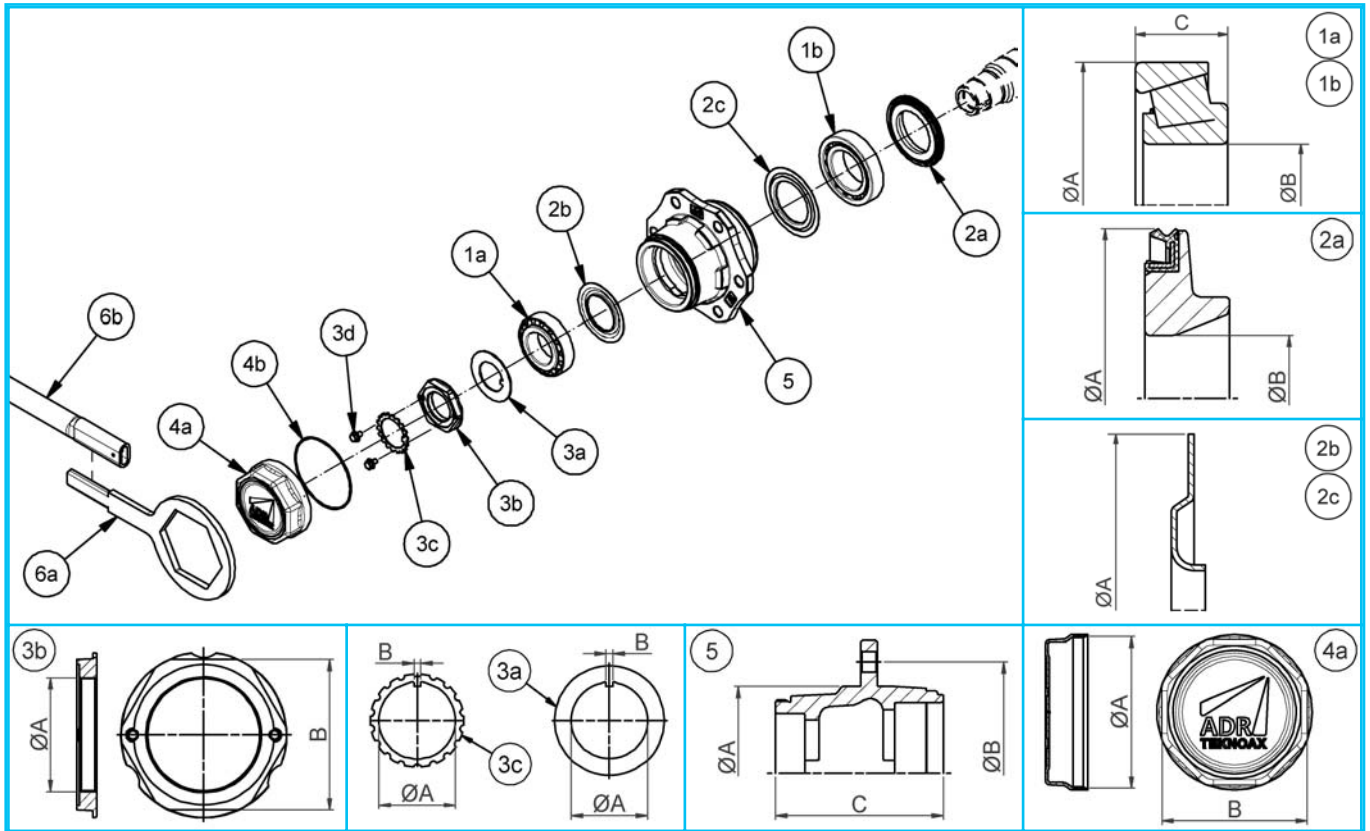


Item	Description	Code	A	B	C	Qty.	Kit code
1a	Bearing 33018	59133018	140	90	39	1	9RC1T
1b	Bearing 33019	59133019	145	95	39	1	
2a	Oil seal	5491451	150	-	-	1	9RN1T
2b	Cone for oil seal	54S1451	-	121	-	1	
2c	Nilos 33018	5511402	-	-	140	1	
2d	Nilos 33019	5511452	-	-	145	1	
3a	Lock washer	57Z1Y01	90,5	8	-	4	9RDF1T01
3b	Nut		M90x1,5	120	-	2	
3c	Lock washer		91	8,9	-	2	
3d	Screw M8x1,25		-	-	-	4	
4a	Cap	56314002	M160x2	155	-	2	9RT1T01
4b	O-ring W2,62 Ø152	53115201	-	-	-	2	
5	Hub 10 holes for M22x1,5	61L11V001	280	335	213	1	61L11V001
6a	Wrench for tightening the cap	990802	-	-	-	1	990802
6b	Lever for wrench	990804	-	-	-	1	990804

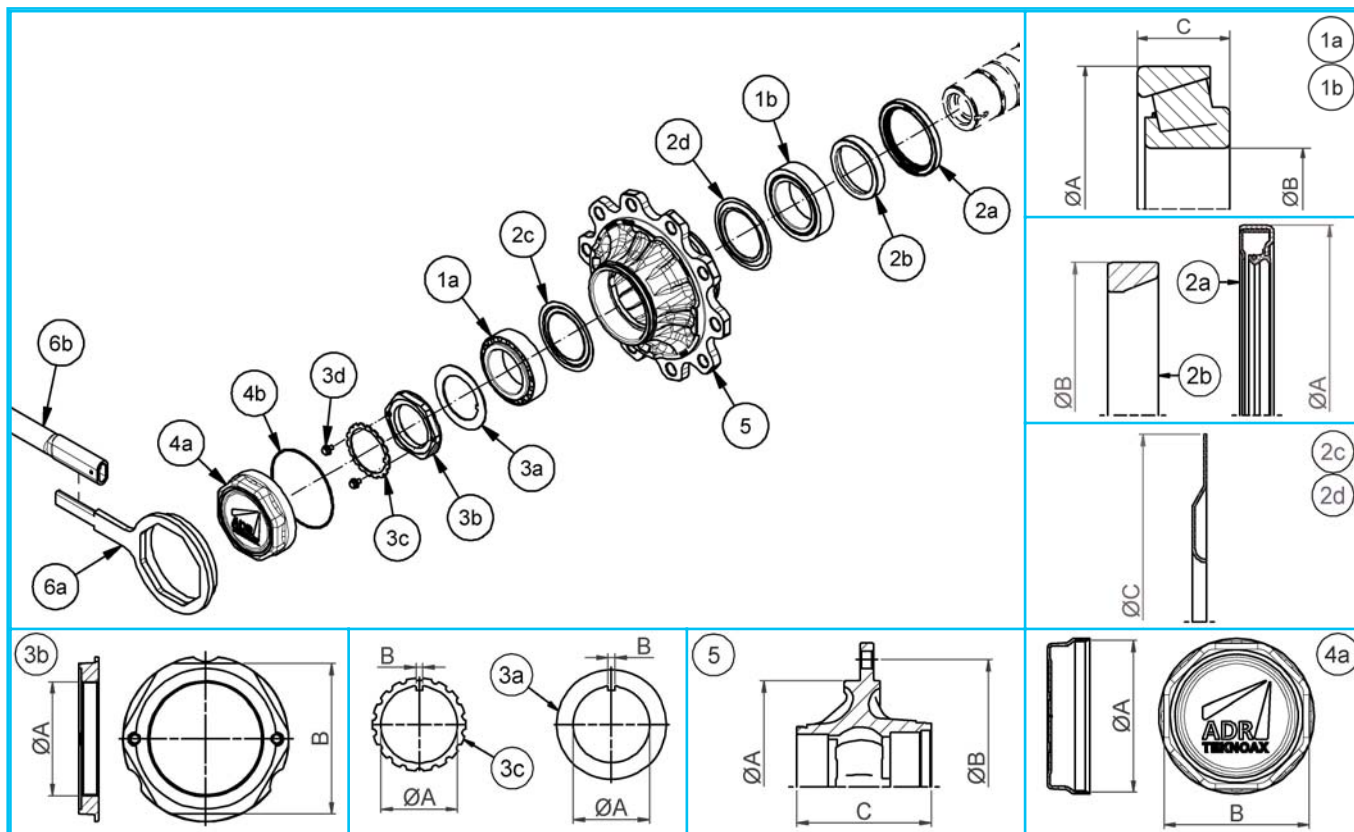


Item	Description	Code	A	B	C	Qty.	Kit code
1a	Bearing 32218	59132218	160	90	42,5	1	9RC1Y
1b	Bearing 33021	59133021	160	105	43	1	
2a	Oil seal	5491651	165	-	-	1	9RN1Y
2b	Cone for oil seal	54S1602	-	127	-	1	
2c	Nilos 32218	5511601	-	-	160	1	
2d	Nilos 33021	5511602	-	-	160	1	
3a	Lock washer	57Z1Y01	90,5	8	-	4	9RDF1Y
3b	Nut		M90x1,5	120	-	2	
3c	Lock washer		91	8,9	-	2	
3d	Screw M8x1,25		-	-	-	4	
4a	Cap	56316001	M195x2	190	-	2	9RT1Y01
4b	O-ring W2,62 Ø184	53118301	-	-	-	2	
5	Hub 10 holes for M22x1,5	61L11Y001	280	335	220	1	61L11Y001
6a	Wrench for tightening the cap	990803	-	-	-	1	990803
6b	Lever for wrench	990804	-	-	-	1	990804

Axle type - 4H -



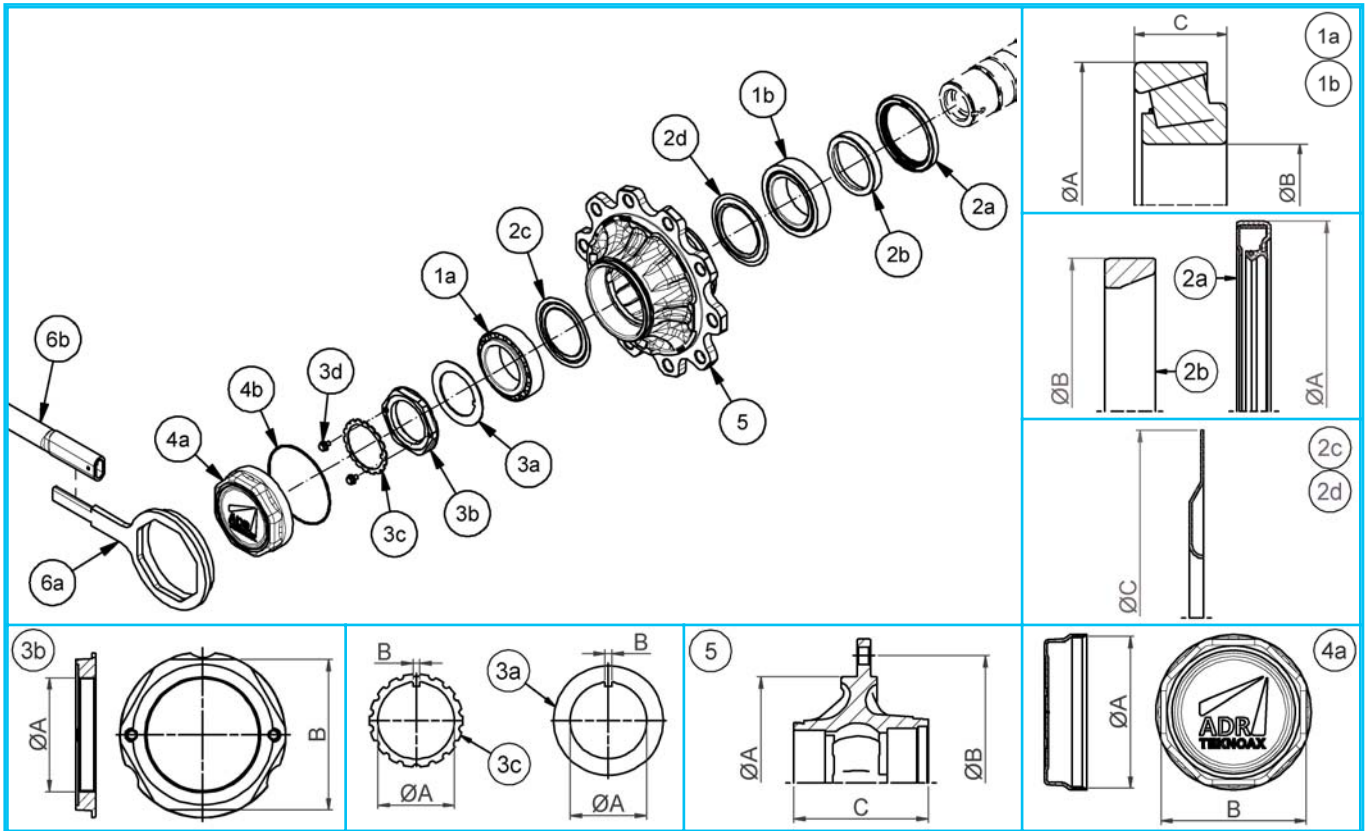
Item	Description	Code	A	B	C	Qty.	Kit code
1a	Bearing 32212	59132212	110	60	29,75	1	9RCRC
1b	Bearing 32215	59132215	130	75	33,25	1	
2a	Oil seal	5441302	150	80	-	1	9RN1H
2b	Nilos 32212	5511101	-	-	110	1	
2c	Nilos 32215	5511301	-	-	130	1	
3a	Lock washer	57Z4H01	55,5	8	-	2	9RDF4H
3b	Nut		M55x2	85	-	2	
3c	Lock washer		56	8	-	2	
3d	Screw M8x1,25		-	-	-	4	
4a	Cap	56311013	M135x2	130	-	2	9RT4H01
4b	O-ring W2,62 Ø126,7	53112701	-	-	-	2	
5	Hub 6 holes for M18x1,5	61L61H001	160	205	155	1	61L61H001
	Hub 8 holes for M20x1,5	61L81H001	220	275	155	1	61L81H001
6a	Wrench for tightening the cap	990805	-	-	-	1	990805
6b	Lever for wrench	990804	-	-	-	1	990804



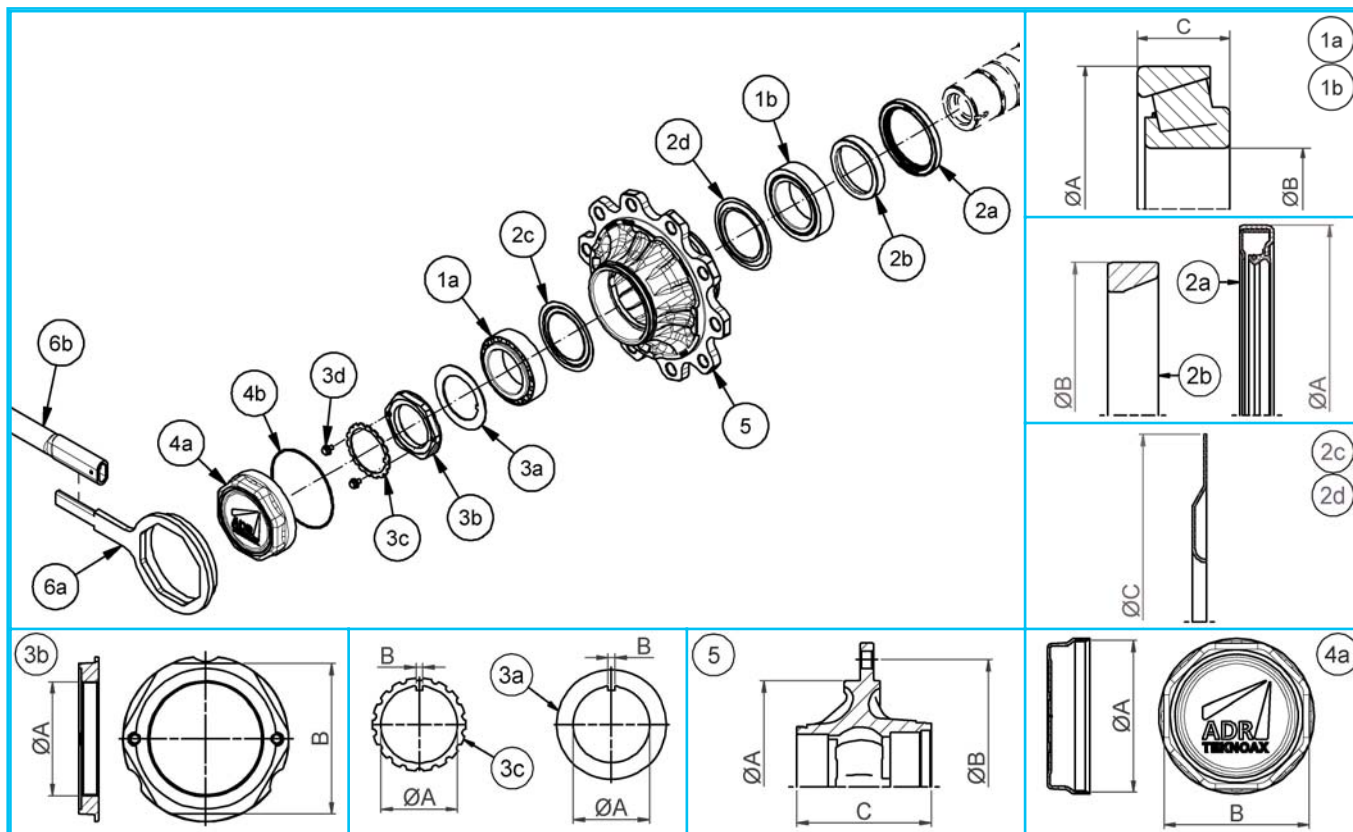
Item	Description	Code	A	B	C	Qty.	Kit code
1a	Bearing 32215	59132215	130	75	33,25	1	9RC1P
1b	Bearing 32216	59132216	140	80	35,25	1	
2a	Oil seal	5491451	150	-	-	1	9RN1P
2b	Cone for oil seal	54S1456	-	121	-	1	
2c	Nilos 32215	5511301	-	-	130	1	
2d	Nilos 32216	5511401	-	-	140	1	
3a	Lock washer	57Z4R01	70,5	8	-	2	9RDF4R
3b	Nut		M70x2	100	-	2	
3c	Lock washer		71	8	-	2	
3d	Screw M8x1,25		-	-	-	4	
4a	Cap	56313004	M150x2	145	-	2	9RT1R01
4b	O-ring W2,62 Ø145,7	53114601	-	-	-	2	
5	Hub 8 holes for M20x1,5	61L81R001	220	275	163	1	61L81R001
	Hub 10 holes for M22x1,5	61L11R001	280	335	163	1	61L11R001
6a	Wrench for tightening the cap	990806	-	-	-	1	990806
6b	Lever for wrench	990804	-	-	-	1	990804



Axle type - 4R -

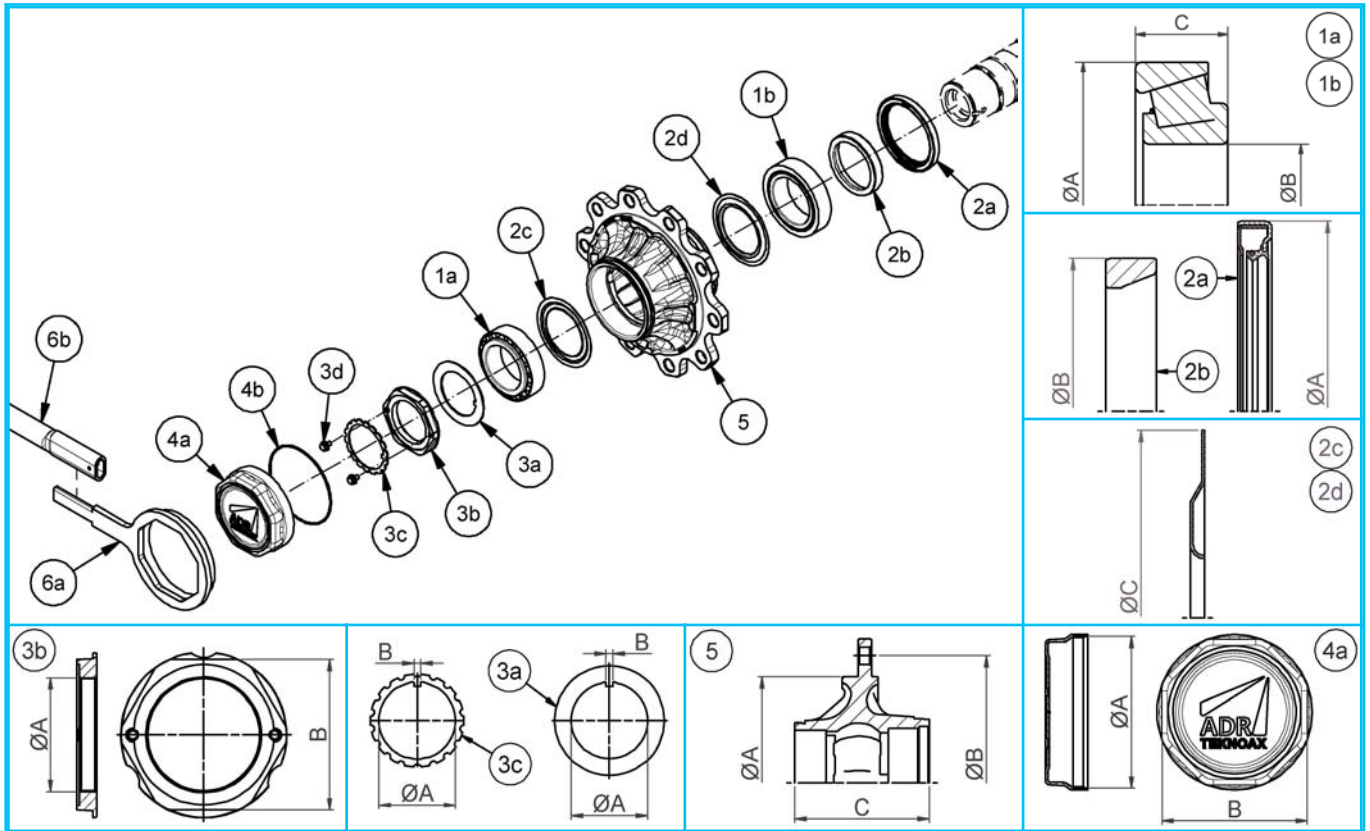


Item	Description	Code	A	B	C	Qty.	Kit code
1a	Bearing 32215	59132215	130	75	33,25	1	9RC1R
1b	Bearing 33018	59133018	140	90	39	1	
2a	Oil seal	5491451	150	-	-	1	9RN1R
2b	Cone for oil seal	54S1453	-	121	-	1	
2c	Nilos 32215	5511301	-	-	130	1	
2d	Nilos 33018	5511402	-	-	140	1	
3a	Lock washer	57Z4R01	70,5	8	-	2	9RDF4R
3b	Nut		M70x2	100	-	2	
3c	Lock washer		71	8	-	2	
3d	Screw M8x1,25		-	-	-	4	
4a	Cap	56313004	M150x2	145	-	2	9RT1R01
4b	O-ring W2,62 Ø145,7	53114601	-	-	-	2	
5	Hub 8 holes for M20x1,5	61L81R001	220	275	163	1	61L81R001
	Hub 10 holes for M22x1,5	61L11R001	280	335	163	1	61L11R001
6a	Wrench for tightening the cap	990806	-	-	-	1	990806
6b	Lever for wrench	990804	-	-	-	1	990804

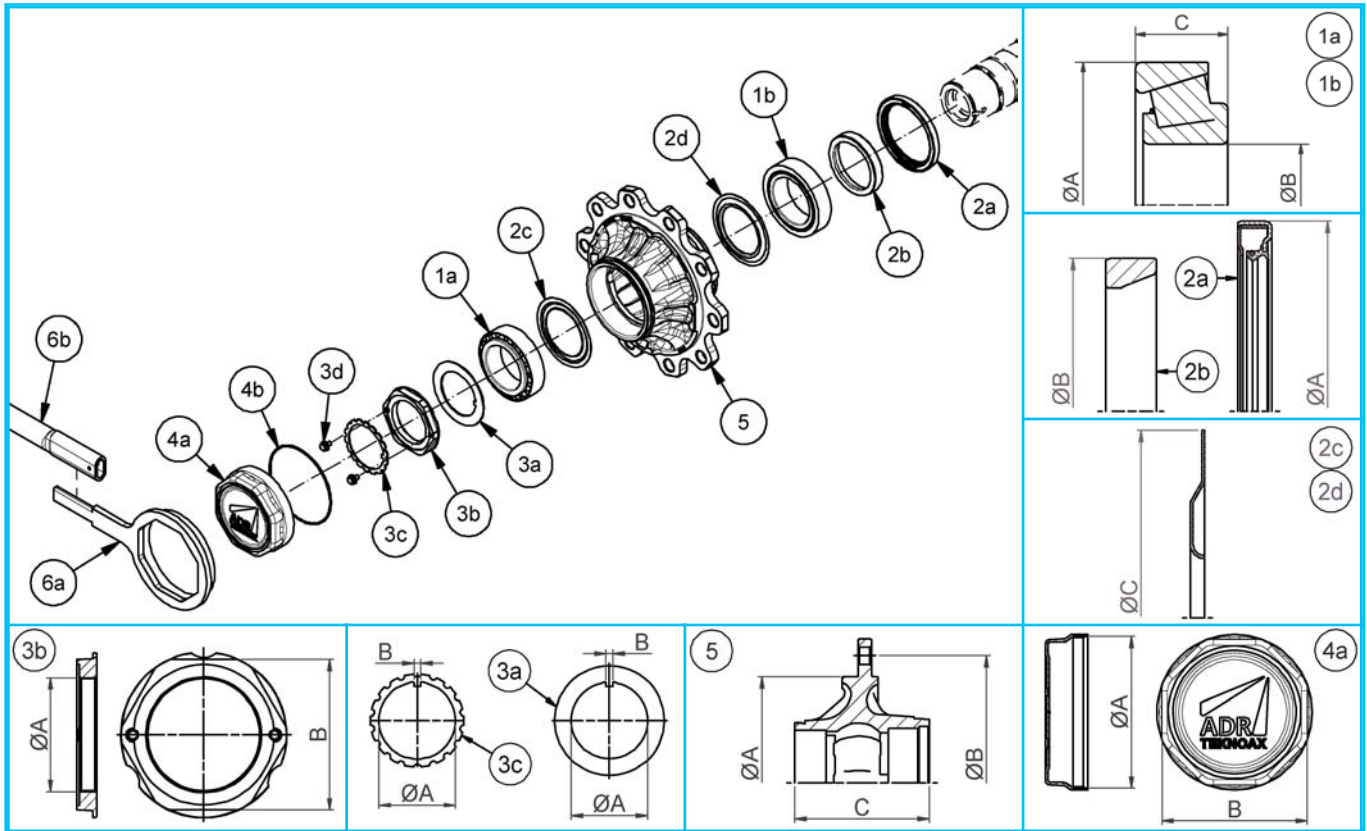


Item	Description	Code	A	B	C	Qty.	Kit code
1a	Bearing 33018	59133018	140	90	39	1	9RC1T
1b	Bearing 33019	59133019	145	95	39	1	
2a	Oil seal	5491451	150	-	-	1	9RN1T
2b	Cone for oil seal	54S1451	-	121	-	1	
2c	Nilos 33018	5511402	-	-	140	1	
2d	Nilos 33019	5511452	-	-	145	1	
3a	Lock washer	57Z4T01	90,5	8	-	2	9RDF4T
3b	Nut		M90x2	120	-	2	
3c	Lock washer		91	8	-	2	
3d	Screw M8x1,25		-	-	-	4	
4a	Cap	56314002	M160x2	155	-	2	9RT1T01
4b	O-ring W2,62 Ø152	53115201	-	-	-	2	
5	Hub 10 holes for M22x1,5	61L11T001	280	335	178	1	61L11T001
6a	Wrench for tightening the cap	990802	-	-	-	1	990802
6b	Lever for wrench	990804	-	-	-	1	990804

Axle type - 4V -



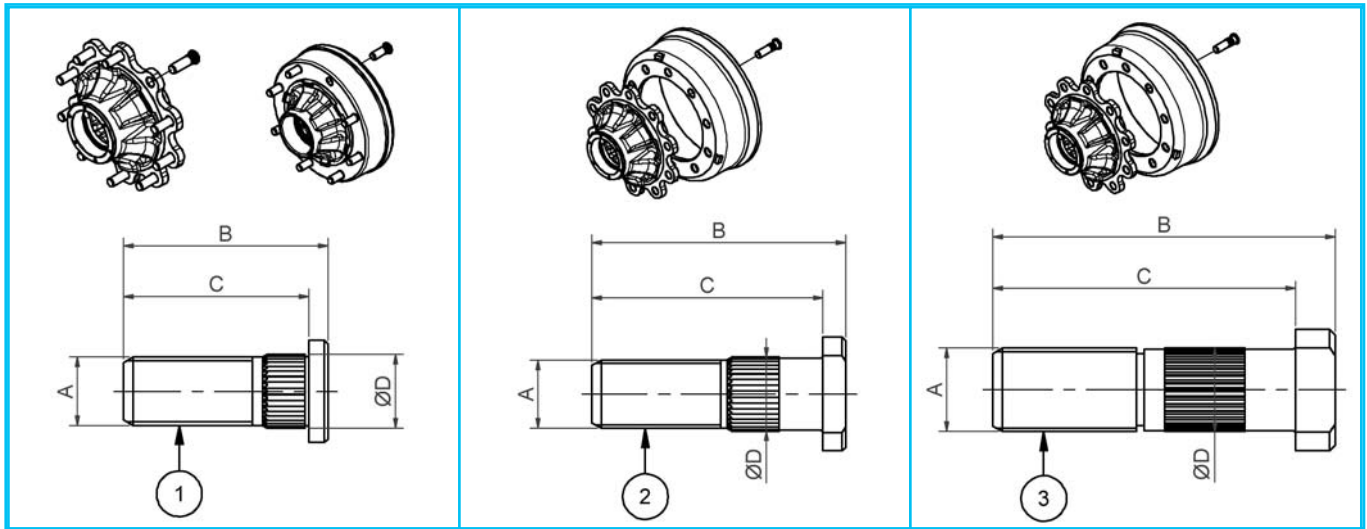
Item	Description	Code	A	B	C	Qty.	Kit code
1a	Bearing 33018	59133018	140	90	39	1	9RC1T
1b	Bearing 33019	59133019	145	95	39	1	
2a	Oil seal	5491451	150	-	-	1	9RN1T
2b	Cone for oil seal	54S1451	-	121	-	1	
2c	Nilos 33018	5511402	-	-	140	1	
2d	Nilos 33019	5511452	-	-	145	1	
3a	Lock washer	57Z4T01	90,5	8	-	2	9RDF4T
3b	Nut		M90x2	120	-	2	
3c	Lock washer		91	8	-	2	
3d	Screw M8x1,25		-	-	-	4	
4a	Cap	56314002	M160x2	155	-	2	9RT1T01
4b	O-ring W2,62 Ø152	53115201	-	-	-	2	
5	Hub 10 holes for M22x1,5	61L11V001	280	335	213	1	61L11V001
6a	Wrench for tightening the cap	990802	-	-	-	1	990802
6b	Lever for wrench	990804	-	-	-	1	990804



Item	Description	Code	A	B	C	Qty.	Kit code
1a	Bearing 32218	59132218	160	90	42,5	1	9RC1Y
1b	Bearing 33021	59133021	160	105	43	1	
2a	Oil seal	5491651	165	-	-	1	9RN1Y
2b	Cone for oil seal	54S1602	-	127	-	1	
2c	Nilos 32218	5511601	-	-	160	1	
2d	Nilos 33021	5511602	-	-	160	1	
3a	Lock washer	57Z4T01	90,5	8	-	2	9RDF4T
3b	Nut		M90x2	120	-	2	
3c	Lock washer		91	8	-	2	
3d	Screw M8x1,25		-	-	-	4	
4a	Cap	56316001	M195x2	190	-	2	9RT1Y01
4b	O-ring W2,62 Ø184	53118301	-	-	-	2	
5	Hub 10 holes for M22x1,5	61L11Y001	280	335	220	1	61L11Y001
6a	Wrench for tightening the cap	990803	-	-	-	1	990803
6b	Lever for wrench	990804	-	-	-	1	990804

Wheel studs

Type of coating: Burnished



A	Item	Description	Code	B	C	D	Qty.	Kit code
Type of coating: <u>Burnished</u>								
M12x1,5	1	Stud for single wheel	57112B1	40	36	13,5	16	9RC12-16
M14x1,5	1	Stud for single wheel	57114B1	45	41	15,5	16	9RC14-16
M16x1,5	1	Stud for single wheel	57116B1	50	45	17	10	9RC16-10
M18x1,5	1	Stud for single wheel	57118B1	54	49	19,5	12	9RC18-12
		Stud for single wheel, holes Ø21	57118B15	55	49	21,5	16	9RC18212-16
		Stud for twin wheels	57118B3	65	60	19,5	16	9RC18L-12
		Stud for twin wheels, holes Ø21	57118B16	65	59	21,5	16	9RC18L21-16
	2	Stud for single wheel	57118B4	67	61	19,5	12	9RC18L1-12
		Stud for single wheel, holes Ø21	57118B20	72	66	21,5	16	9RC1821L1-16
		Stud for twin wheels	57118B5	81	75	19,5	16	9RC18L2-12
		Stud for twin wheels, holes Ø21	57118B7	84	78	21,5	16	9RC1821-16
M20x1,5	1	Stud for single wheel	57120B1	65	59	21,5	8	9RC20-8
		Stud for twin wheels	57120B2	76	70		8	9RC20-A8
	2	Stud for single wheel	57120B12	83	74	21,5	8	9RC20L1-8
		Stud for twin wheels	57120B5	93	87		8	9RC20L2-8
M22x1,5	1	Stud for single wheel	57122B2	77	71	24	10	9RC22-10
	2	Stud for single wheel	57122B15	89	80	24	10	9RC22L1-10
		Stud for twin wheels	57122B16	102	93		10	9RC22L2-10
	3	Stud for single wheel (1)	57122B5	90,5	80	22	10	9RC22LA1-10
		Stud for twin wheels (1)	57122B6	102	91,5		10	9RC22LD1-10
M24x1,5	1	Stud for twin wheels	57124B5	118	108	25	10	9RC24B3-10
	2	Stud for twin wheels	57124B6	133	123	25	10	9RC24B4-10

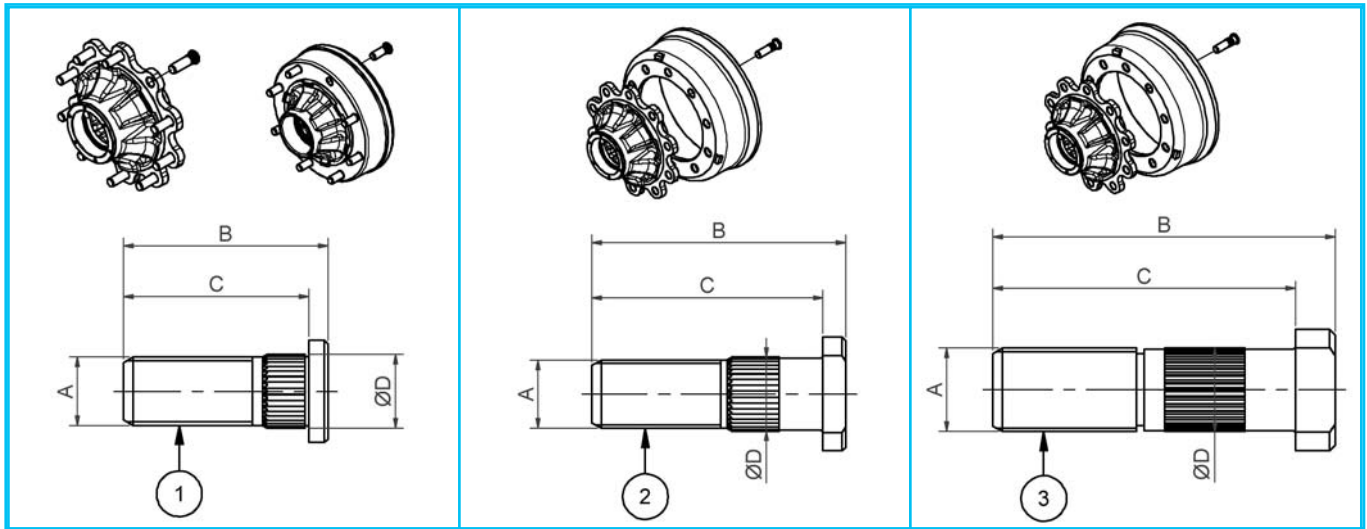
(1) - For axles type RW and XL, p.c.d. 280/335, brake 420X180 and 420X200.

Wheel studs

Type of coating: Geomet

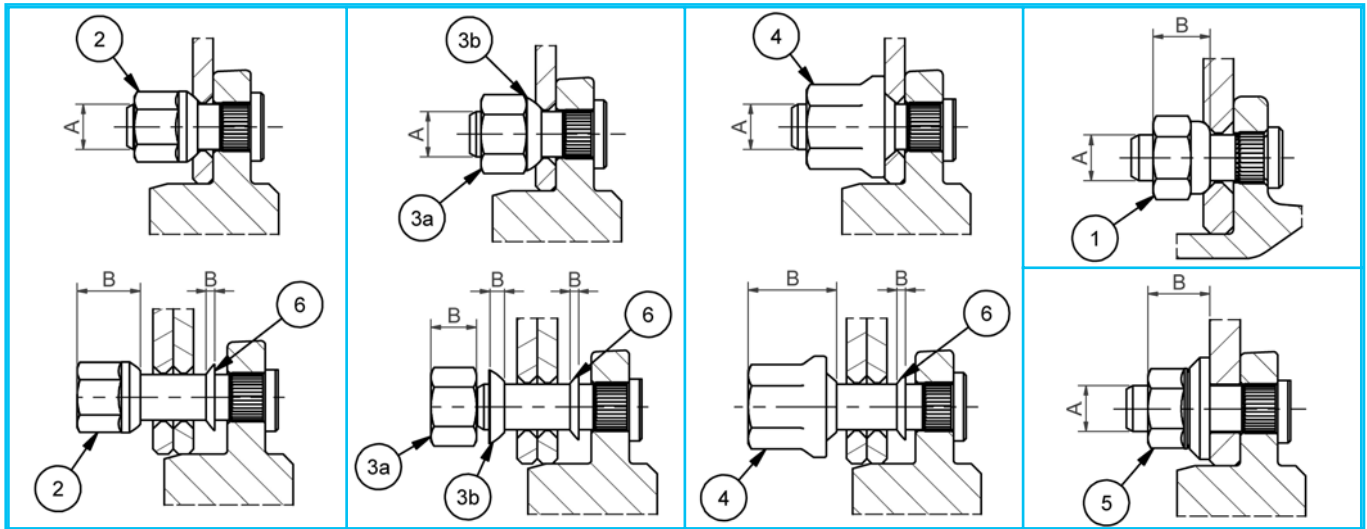


ADR - RC09/2021



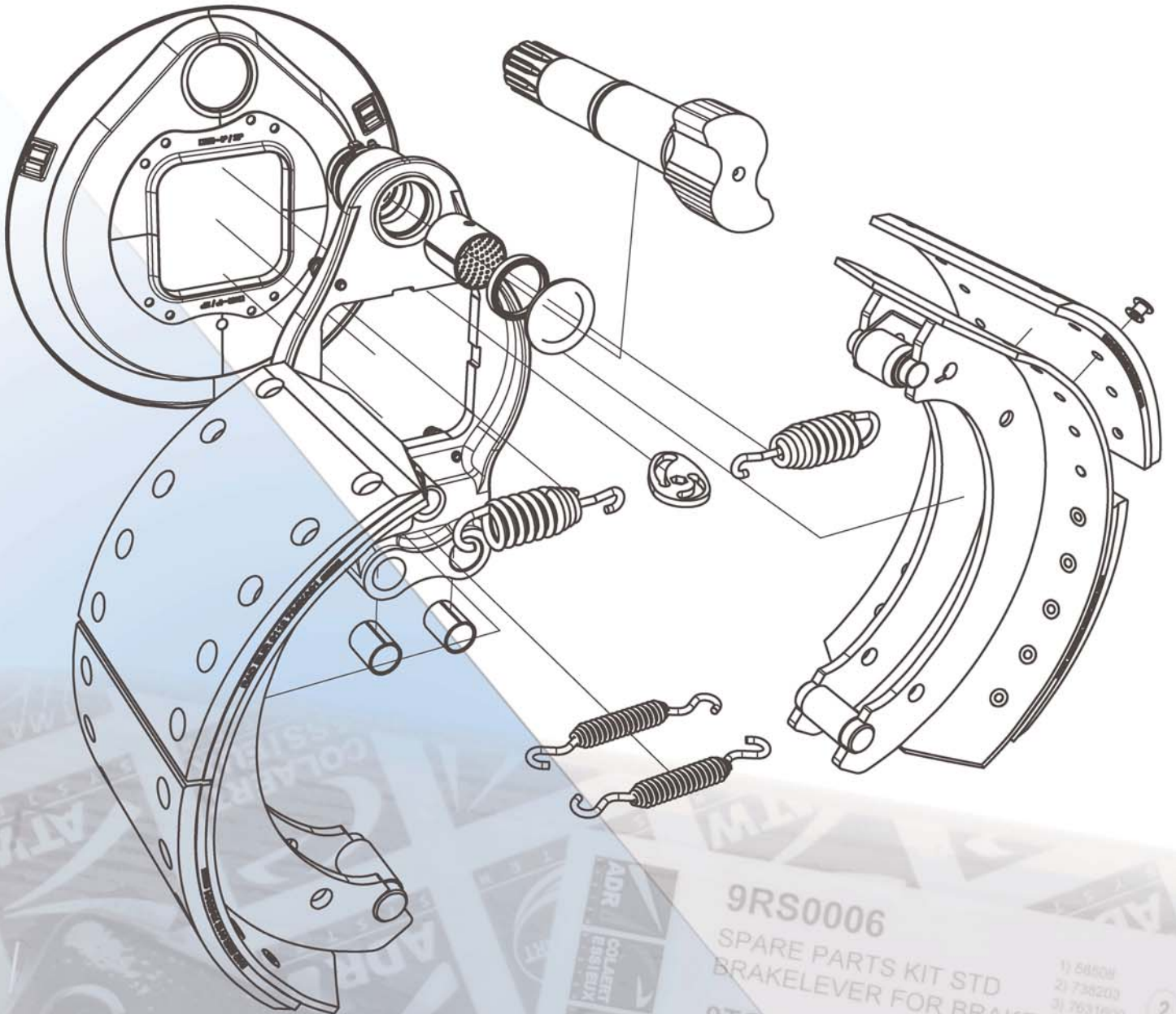
A	Item	Description	Code	B	C	D	Qty.	Kit code	
Type of coating: <u>Geomet</u>									
M12x1,5	1	Stud for single wheel	57112B2	40	36	13,5	16	9RC12-16G	
M16x1,5	1	Stud for single wheel	57116B7	50	45	17	10	9RC16-10G	
M18x1,5	1	Stud for single wheel	57118B10	54	49	19,5	12	9RC18-12G	
							16	9RC18-16G	
		Stud for single wheel, holes Ø21	57118B18	55	49	21,5	16	9RC18212-16G	
		Stud for twin wheels	57118B11	65	60	19,5	12	9RC18L-12G	
							16	9RC18L-16G	
		2	Stud for twin wheels, holes Ø21	57118B19	65	59	21,5	16	9RC18L21-16G
	Stud for single wheel		57118B13	67	61	19,5	12	9RC18L1-12G	
							16	9RC18L1-16G	
	Stud for single wheel, holes Ø21		57118B21	72	66	21,5	16	9RC1821L1-16G	
	Stud for twin wheels		57118B12	81	75	19,5	12	9RC18L2-12G	
					16	9RC18L2-16G			
M20x1,5	1	Stud for single wheel	57120B11	68	59	21,5	8	9RC20-8G	
		Stud for twin wheels	57120B9	76	70		8	9RC20-A8G	
	2	Stud for single wheel	57120B10	83	74	21,5	8	9RC20L1-8G	
		Stud for twin wheels	57120B13	96	87		8	9RC20L2-8G	
M22x1,5	1	Stud for twin wheels	57122B13	77	71	24	10	9RC22-10G	
	2	Stud for single wheel	57122B17	89	80	24	10	9RC22L1-10G	
		Stud for twin wheels	57122B18	102	93		10	9RC22L2-10G	

Wheel nuts



A	Item	Description	Code	B	Qty.	Kit code
M12X1,5	1	Wheel nut	57312B1	15	16	9RD12-16
M14X1,5	2	Wheel nut	57314B1	20	16	9RD14G-16
M16X1,5	2	Wheel nut	57316B1	18	10	9RD16-10
M18X1,5	2	Wheel nut	57318B4	25	12	9RD18GER-12
					16	9RD18GER-16
	3a	Wheel nut	57318B1	18	12	9RD188G-12
	3b	Ring	574181	7	12	
	3a	Wheel nut	57318B1	18	16	9RD188G-16
	3b	Ring	574181	7	16	
	4	Wheel nut	57318B3	35	12	9RD18BEC-12
					16	9RD18BEC-16
6	Ring for twin wheels	574182	4	24	9RRC18-24	
				32	9RRC18-32	
M20X1,5	3a	Wheel nut	57320B1	20	8	9RD208G-8
	3b	Ring	574201	8	8	
	6	Ring for twin wheels	574202	6	16	9RRC20-16
M22X1,5	3a	Wheel nut	57322B1	22	10	9RD228G-10
	3b	Ring	574221	8	10	
	4	Wheel nut	57322B2	35	10	9RD22BEC-10
	5	Wheel nut	57322B3	27	10	9RD22I-10
	6	Ring for twin wheels	574222	6	20	9RRC22-20
M24X1,5	5	Wheel nut	57324B2	33	10	9RD24B2-10

Brakes



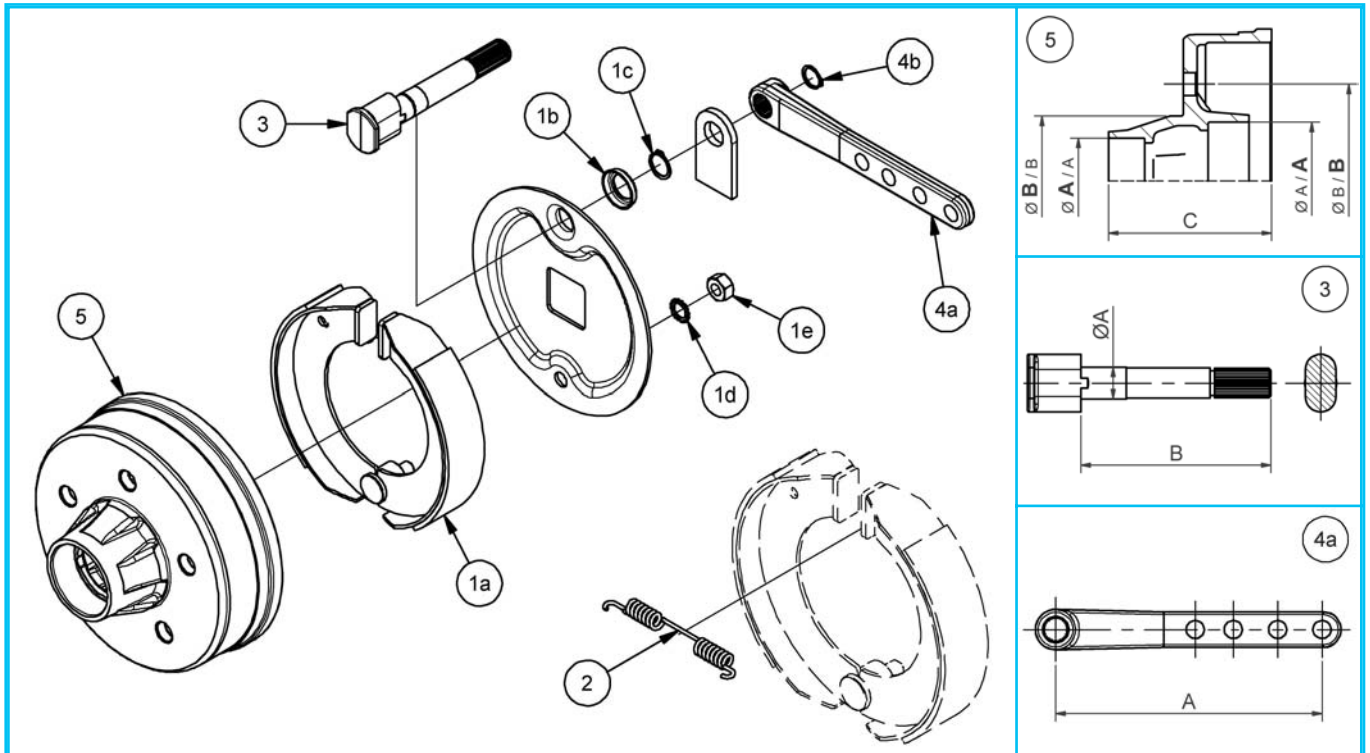
9RS0006
SPARE PARTS KIT STD
BRAKELEVER FOR BRAKE
9TON



- 1) 88508
- 2) 738203
- 3) 7631800
- 4) 76A02
- 5) 9710841
- 6) 9810087
- 7) 9812901
- 8) 9830081
- 9) Z5003
- 10) 9A02000
- 11) 9A...
- 12) 9A...

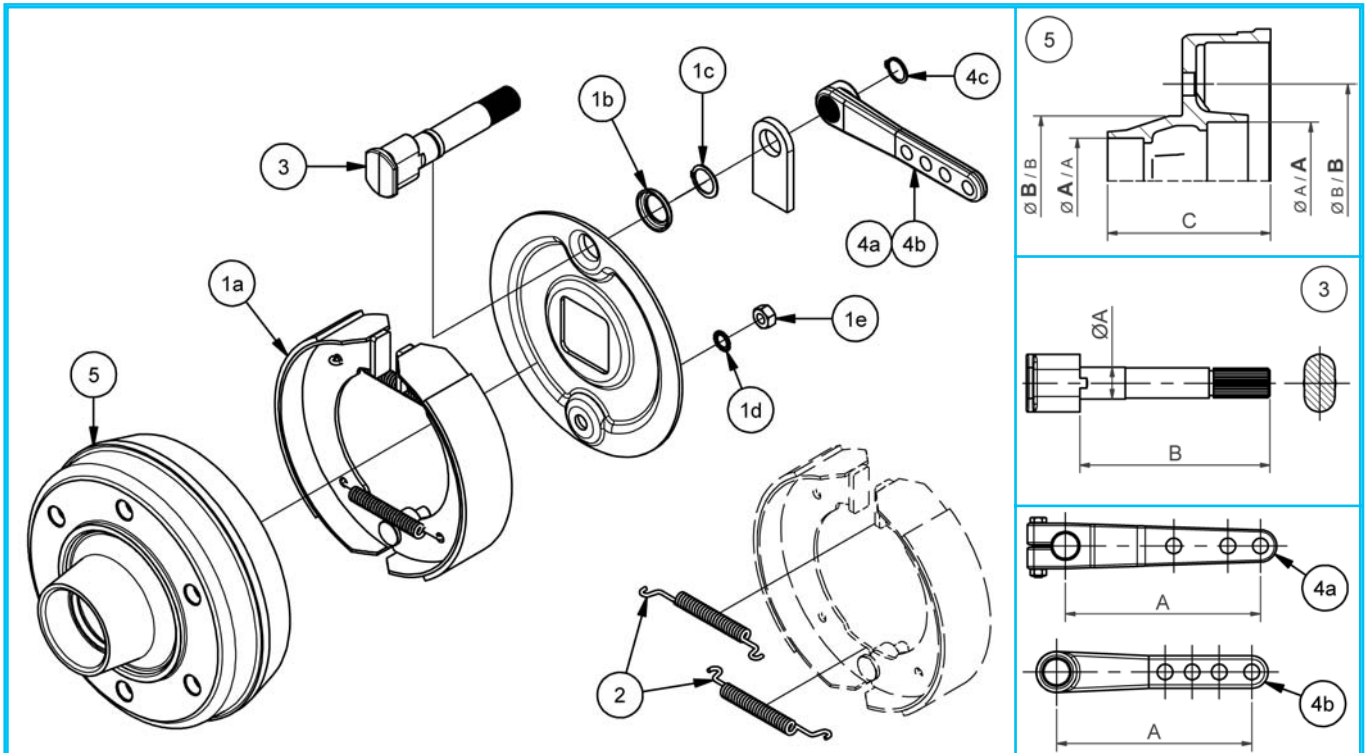
19/04/2012

2
1



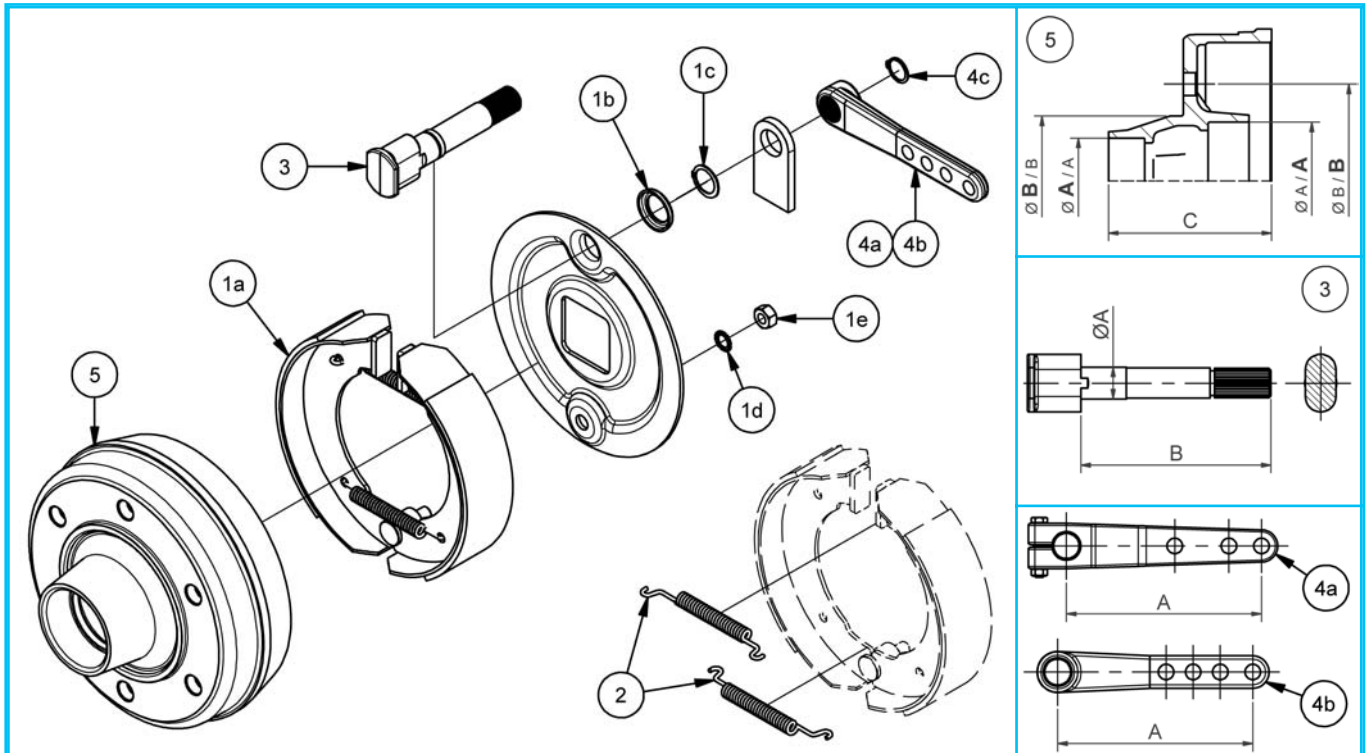
Item	Description	Code	A	B	C	Qty.	Kit code
1a	Brake assembly	731BG01	-	-	-	1	9RE0002
1b	Cap Ø21,5	73F04	-	-	-	1	
1c	Retaining ring Ø20	58501	-	-	-	1	
1d	Washer Ø12	9820121	-	-	-	1	
1e	Nut M12X1,75	97112C1	-	-	-	1	
2	Spring Ø2,5 L98	738101	-	-	-	2	9RK0001
3	Camshaft	7512021...	21	(1)	-	1	7512021...
4a	Lever	7611203	210	-	-	2	9RQ0002
4b	Retaining ring Ø18	58533	-	-	-	2	
5	Solid drum 4 holes for M12X1,5	65L4DA01	47 / 62	58 / 98	103	1	65L4DA01
	Solid drum 5 holes for M16X1,5	65L5GA01	52 / 72	94 / 140	110	1	65L5GA01
	Solid drum 5 holes for M16X1,5	65L5IA01	62 / 80	94 / 140	118	1	65L5IA01
	Solid drum 5 holes for M16X1,5	65L5JA03	62 / 85	94 / 140	118	1	65L5JA03

(1) - From 150mm to 300mm step 25mm. From 300mm to 1200mm step 50mm.



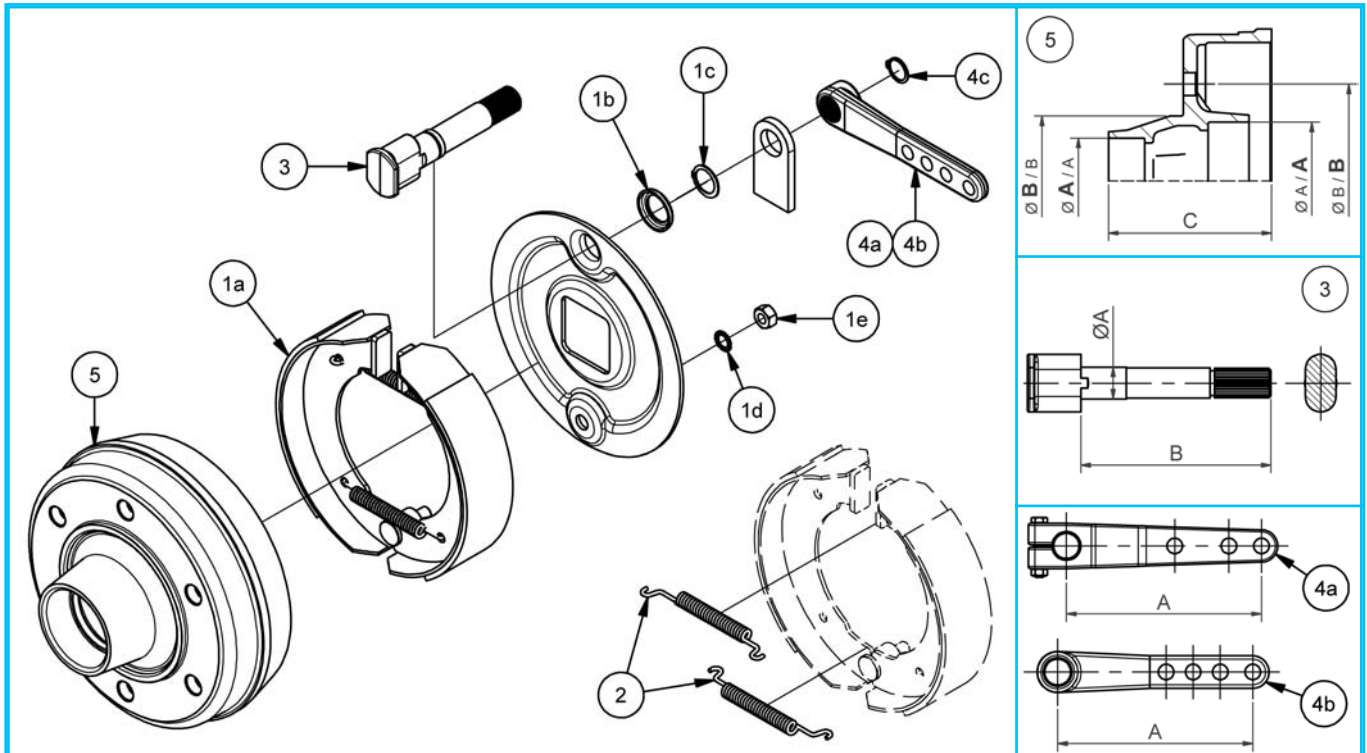
Item	Description	Code	A	B	B	Qty.	Kit code
1a	Brake assembly	9FCA250Z	-	-	-	1	9RE0004
1b	Cap Ø28	73F02	-	-	-	2	
1c	Retaining ring Ø28	58509	-	-	-	1	
1d	Washer Ø12	9820121	-	-	-	1	
1e	Nut M12X1,75	97112C1	-	-	-	1	
2	Spring Ø3,5 L113	738122	-	-	-	4	9RK0002
3	Camshaft	7522631...	28	(1)	-	1	7522631...
4a	Lever with bolt	760E18003C0	180	-	-	2	9RQ0004
	Lever with bolt	760E24004C0	240	-	-	2	9RQ0006
4b	Lever	7611302	180	-	-	2	9RQ001
4c	Retaining ring Ø24	58507	-	-	-	2	
4b	Lever	7611304	240	-	-	2	9RQ002
4c	Retaining ring Ø24	58507	-	-	-	2	
5	Solid drum 5 holes for M14X1,5	65LAGA01	52 / 72	66 / 112	122	1	65LAGA01

(1) - From 150mm to 300mm step 25mm. From 300mm to 1200mm step 50mm.



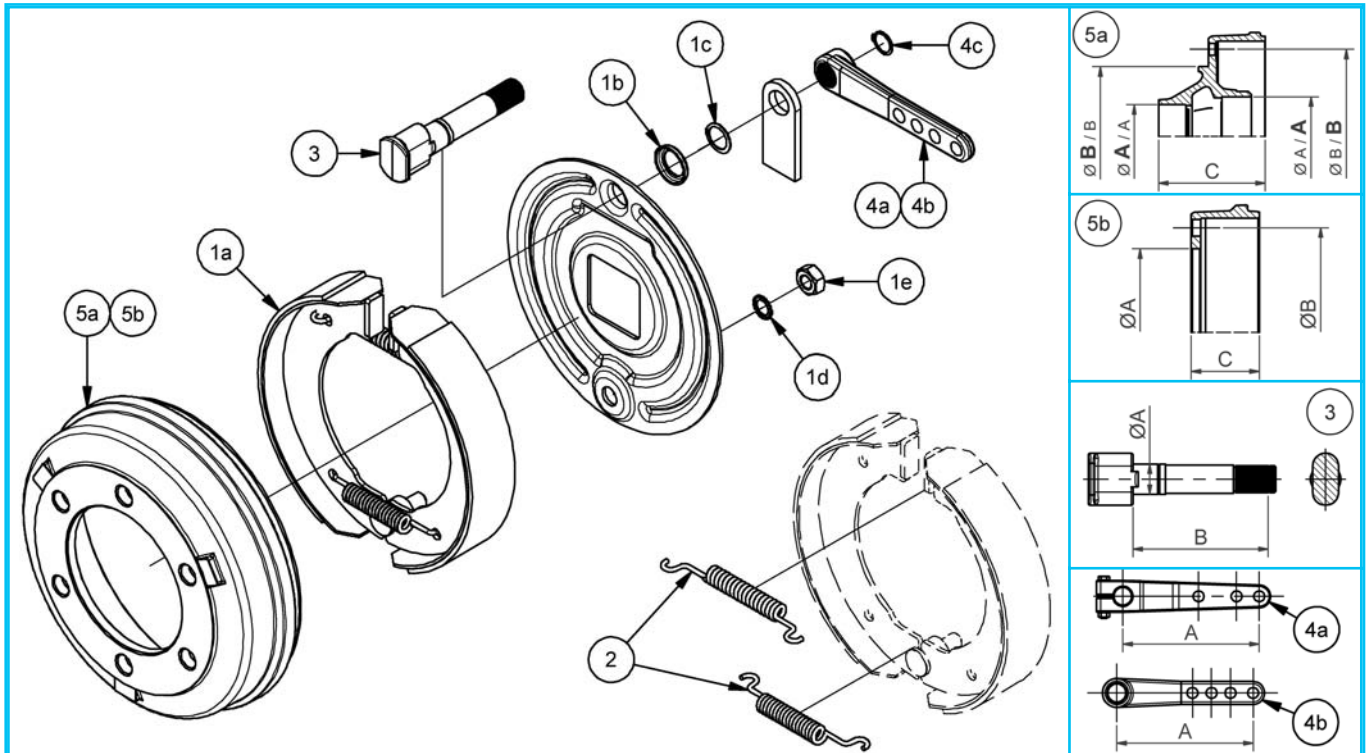
Item	Description	Code	A	B	C	Qty.	Kit code
1a	Brake assembly	731DA01	-	-	-	1	9RE0006
1b	Cap Ø28	73F02	-	-	-	1	
1c	Retaining ring Ø28	58509	-	-	-	1	
1d	Washer Ø12	9800122	-	-	-	1	
1e	Nut M12X1,75	97112C1	-	-	-	1	
2	Spring Ø3,5 L113	738122	-	-	-	4	9RK0002
3	Camshaft	7522631...	28	(1)	-	1	7522631...
4a	Lever with bolt	760E18003C0	180	-	-	2	9RQ0004
	Lever with bolt	760E24004C0	240	-	-	2	9RQ0006
4b	Lever	7611302	180	-	-	2	9RQ001
4c	Retaining ring Ø24	58507	-	-	-	2	
4b	Lever	7611304	240	-	-	2	9RQ002
4c	Retaining ring Ø24	58507	-	-	-	2	
5	Solid drum 5 holes for M16X1,5	65L5JA01	62 / 85	94 / 140	140	1	65L5JA01
	Solid drum 6 holes for M18X1,5	65L6JA01	62 / 85	160 / 205	140	1	65L6JA01
	Solid drum 6 holes for M18X1,5	65L6LA03	80 / 100	160 / 205	152	1	65L6LA03

(1) - From 150mm to 300mm step 25mm. From 300mm to 1200mm step 50mm.



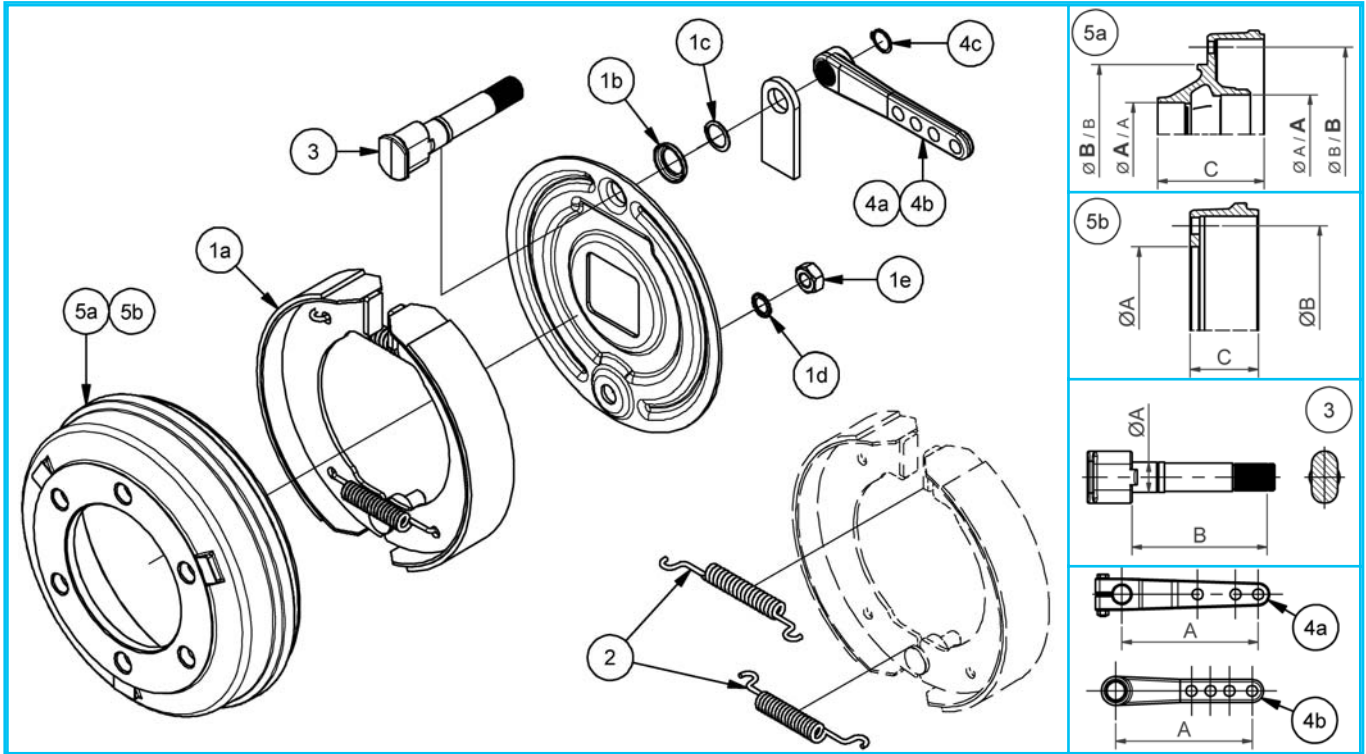
Item	Description	Code	A	B	C	Qty.	Kit code
1a	Brake assembly	731DF01	-	-	-	1	9RE0007
1b	Cap Ø28	73F02	-	-	-	1	
1c	Retaining ring Ø28	58509	-	-	-	1	
1d	Washer Ø12	9800122	-	-	-	1	
1e	Nut M12X1,75	97112C1	-	-	-	1	
2	Spring Ø3,5 L113	738122	-	-	-	4	9RK0002
3	Camshaft	7522631...	28	(1)	-	1	7522631...
4a	Lever with bolt	760E18003C0	180	-	-	2	9RQ0004
	Lever with bolt	760E24004C0	240	-	-	2	9RQ0006
4b	Lever	7611302	180	-	-	2	9RQ001
4c	Retaining ring Ø24	58507	-	-	-	2	
4b	Lever	7611304	240	-	-	2	9RQ002
4c	Retaining ring Ø24	58507	-	-	-	2	
5	Solid drum 5 holes for M16X1,5	65L5JA01	62 / 85	94 / 140	140	1	65L5JA01
	Solid drum 6 holes for M18X1,5	65L6JA01	62 / 85	160 / 205	140	1	65L6JA01
	Solid drum 6 holes for M18X1,5	65L6LA03	80 / 100	160 / 205	152	1	65L6LA03

(1) - From 150mm to 300mm step 25mm. From 300mm to 1200mm step 50mm.



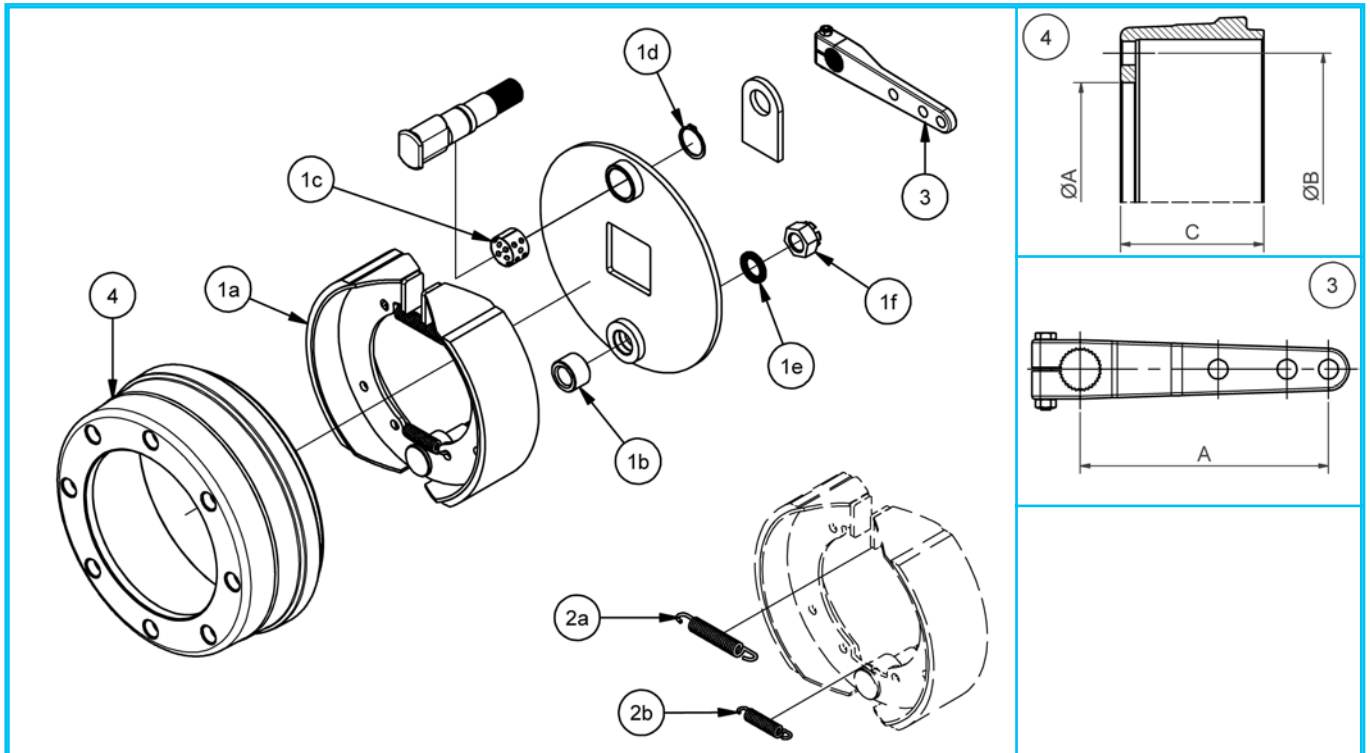
Item	Description	Code	A	B	C	Qty.	Kit code
1a	Brake assembly	731FD02	-	-	-	1	9RE0009
1b	Cap Ø28	73F02	-	-	-	1	
1c	Retaining ring Ø28	58509	-	-	-	1	
1d	Washer Ø16	9800162	-	-	-	1	
1e	Nut M16X2,0	97116D1	-	-	-	1	
2	Spring Ø4,5 L133	738108	-	-	-	4	9RK0003
3	Camshaft	7522631...	28	(1)	-	1	7522631...
4a	Lever with bolt	760E18003C0	180	-	-	2	9RQ0004
	Lever with bolt	760E24004C0	240	-	-	2	9RQ0006
4b	Lever	7611302	180	-	-	2	9RQ001
4c	Retaining ring Ø24	58507	-	-	-	2	
4b	Lever	7611304	240	-	-	2	9RQ002
4c	Retaining ring Ø24	58507	-	-	-	2	
5a	Solid drum 6 holes for M18X1,5 (FC)	65L6LA06	80 / 100	160 / 205	158	1	65L6LA06
	Solid drum 6 holes for M18X1,5 (FD)	65L6NA02	90 / 120	160 / 205	176	1	65L6NA02
	Solid drum 8 holes for M18X1,5 (FD)	65L8NA03	90 / 120	220 / 275	176	1	65L8NA03
	Solid drum 6 holes for M18X1,5 (FD)	65L6QC01	100 / 125	160 / 205	169	1	65L6QC01
	Solid drum 8 holes for M18X1,5 (FD)	65L8QC01	100 / 125	220 / 275	169	1	65L8QC01
5b	Drum 6 holes for M18X1,5 (FG)	66LFG0602	160	205	90	1	66LFG0602
	Drum 8 holes for M18X1,5 (FG) Drum 8 holes for M20X1,5 (FG)	66LFG0801	220	275	90	1	66LFG0801

(1) - From 150mm to 300mm step 25mm. From 300mm to 1200mm step 50mm.



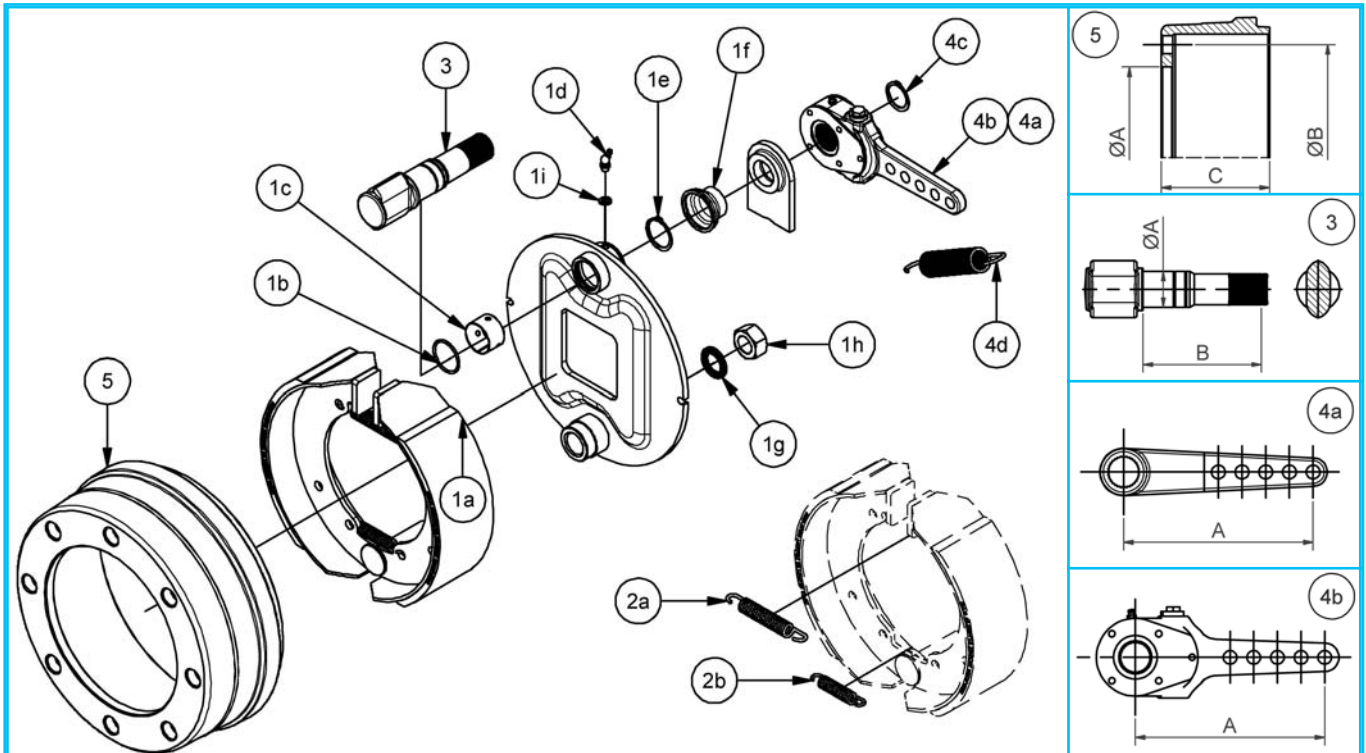
Item	Description	Code	A	B	C	Qty.	Kit code
1a	Brake assembly	731FF01	-	-	-	1	9RE0010
1b	Cap Ø28	73F02	-	-	-	1	
1c	Retaining ring Ø28	58509	-	-	-	1	
1d	Washer Ø16	9800162	-	-	-	1	
1e	Nut M16X2,0	97116D1	-	-	-	1	
2	Spring Ø4,5 L133	738108	-	-	-	4	9RK0003
3	Camshaft	7522631...	28	(1)	-	1	7522631...
4a	Lever with bolt	760E18003C0	180	-	-	2	9RQ0004
	Lever with bolt	760E24004C0	240	-	-	2	9RQ0006
4b	Lever	7611302	180	-	-	2	9RQ001
4c	Retaining ring Ø24	58507	-	-	-	2	
4b	Lever	7611304	240	-	-	2	9RQ002
4c	Retaining ring Ø24	58507	-	-	-	2	
5a	Solid drum 6 holes for M18X1,5 (FK)	65L6LA06	80 / 100	160 / 205	158	1	65L6LA06
	Solid drum 6 holes for M18X1,5 (FJ)	65L6NA02	90 / 120	160 / 205	176	1	65L6NA02
	Solid drum 8 holes for M18X1,5 (FJ)	65L8NA03	90 / 120	220 / 275	176	1	65L8NA03
	Solid drum 6 holes for M18X1,5 (FJ)	65L6QC01	100 / 125	160 / 205	169	1	65L6QC01
	Solid drum 8 holes for M18X1,5 (FJ)	65L8QC01	100 / 125	220 / 275	169	1	65L8QC01
5b	Drum 6 holes for M18X1,5 (FF)	66LFG0602	160	205	90	1	66LFG0602
	Drum 8 holes for M18X1,5 (FF)	66LFG0801	220	275	90	1	66LFG0801
	Drum 8 holes for M20X1,5 (FF)						

(1) - From 150mm to 300mm step 25mm. From 300mm to 1200mm step 50mm.



Item	Description	Code	A	B	C	Qty.	Kit code
1a	Brake assembly	7311C01	-	-	-	1	(1) 9RE0012
1b	Adapter	921B309E30S	-	-	-	1	
1c	Camshaft bush	771362601	-	-	-	1	
1d	Retaining ring Ø36	58512	-	-	-	1	
1e	Washer Ø24	9800241	-	-	-	1	
1f	Nut M24X1,5	97124B1	-	-	-	1	
2a	Spring Ø3.5 L95	738106	-	-	-	2	9RK0008
2b	Spring Ø3.0 L73	738104	-	-	-	2	
3	Lever with bolt	760H18003C0	180	-	-	2	9RQ0008
	Lever with bolt	760H24004C0	240	-	-	2	9RQ0010
4	Drum 6 holes for M18X1,5	66LJB0605	160	205	133	1	66LJB0605
	Drum 8 holes for M18X1,5 Drum 8 holes for M20X1,5	66LJB0804	220	275	132	1	66LJB0804

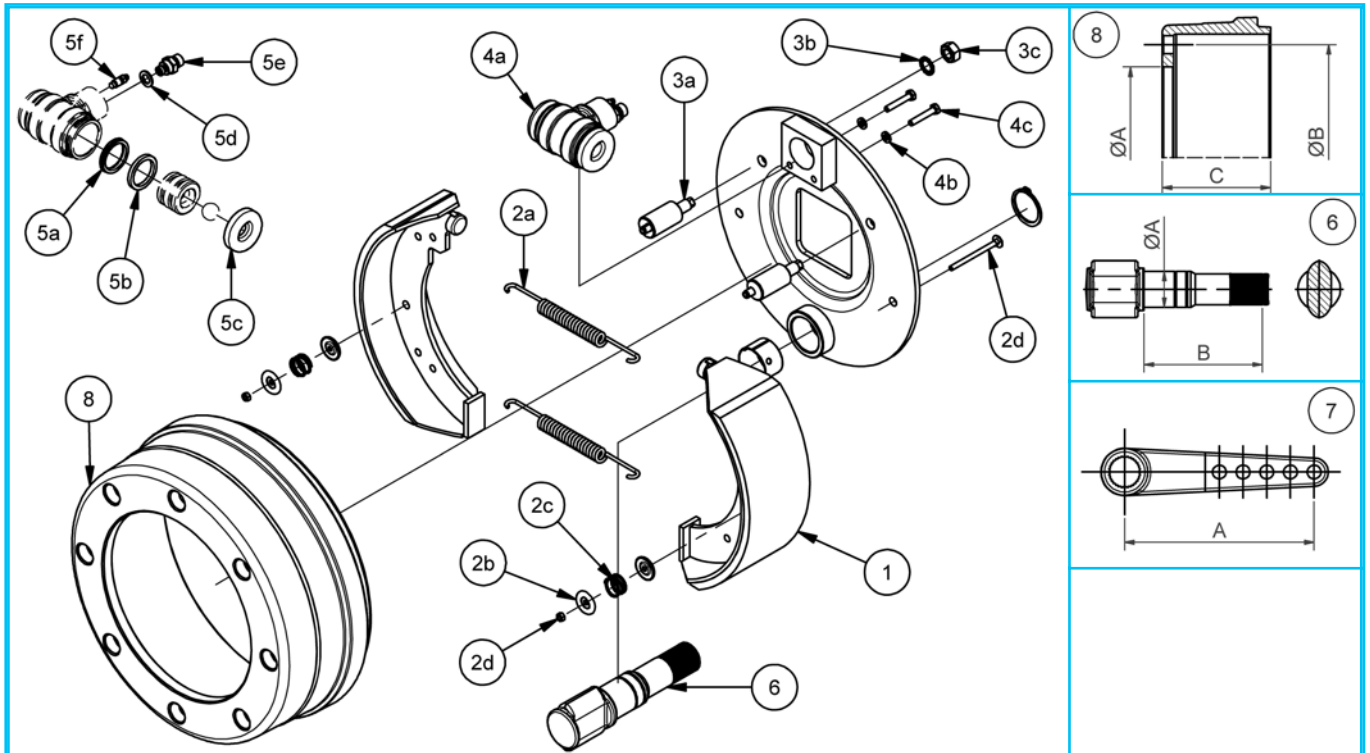
(1) - In the kit are included the bush, the O-ring and other spare parts of the brake 309E.



Item	Description	Code	A	B	C	Qty.	Kit code
1a	Brake assembly	7311C01	-	-	-	1	(1) 9RE0012
1b	O-ring W2,62 Ø37,77	53103801	-	-	-	1	
1c	Camshaft bush	771382601	-	-	-	1	
1d	Grease nipple M8X1,25	98608A2	-	-	-	1	
1e	Retaining ring Ø38	58513	-	-	-	1	
1f	Rubber cover	53A08	-	-	-	1	
1g	Washer Ø24	9800241	-	-	-	1	
1h	Nut M24X1,5	97124B1	-	-	-	1	
1i	Elastic washer Ø8	9830081	-	-	-	1	
2a	Spring Ø3,5 L95	738106	-	-	-	2	
2b	Spring Ø3,0 L73	738104	-	-	-	2	
3	Camshaft	7503552...	38	(2) ≤300	-	1	7503552...
	Camshaft	7503553...	38	(2) >300	-	1	7503553...
4a	Lever	7611503	200	-	-	2	9RQ0012
4c	Retaining ring Ø32	58511	-	-	-	2	
4b	Slack adjuster	7621501	200	-	-	1	9RR0012
4c	Retaining ring Ø32	58511	-	-	-	1	
4d	Spring Ø3,5 L173	738201	-	-	-	1	
5	Drum 6 holes for M18X1,5	66LJB0605	160	205	133	1	66LJB0605
	Drum 8 holes for M18X1,5	66LJB0804	220	275	132	1	66LJB0804
	Drum 8 holes for M20X1,5						

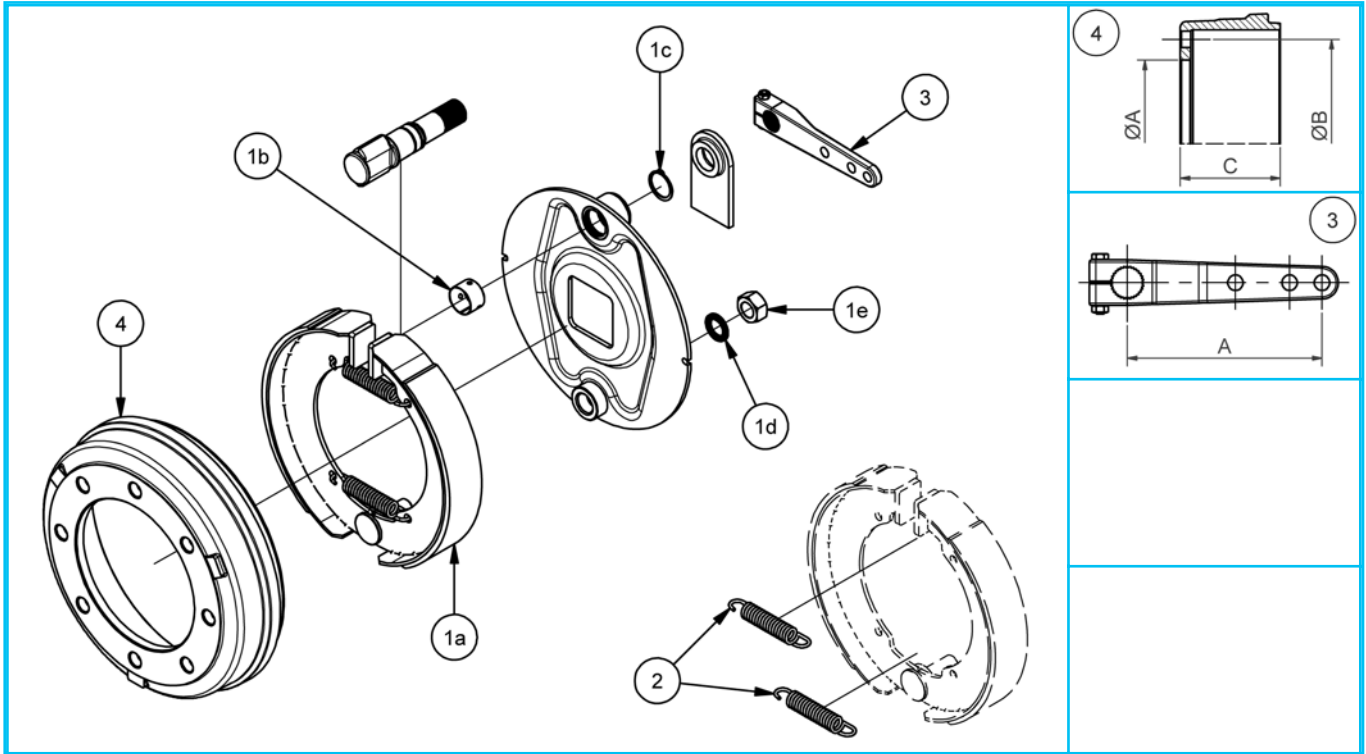
(1) - In the kit are included the bush and other spare parts of the brake 30S.
 (2) - From 150mm to 300mm step 25mm. From 300mm to 1200mm step 50mm.

Hydraulic brake 300X90 - 9IM - IX and IY

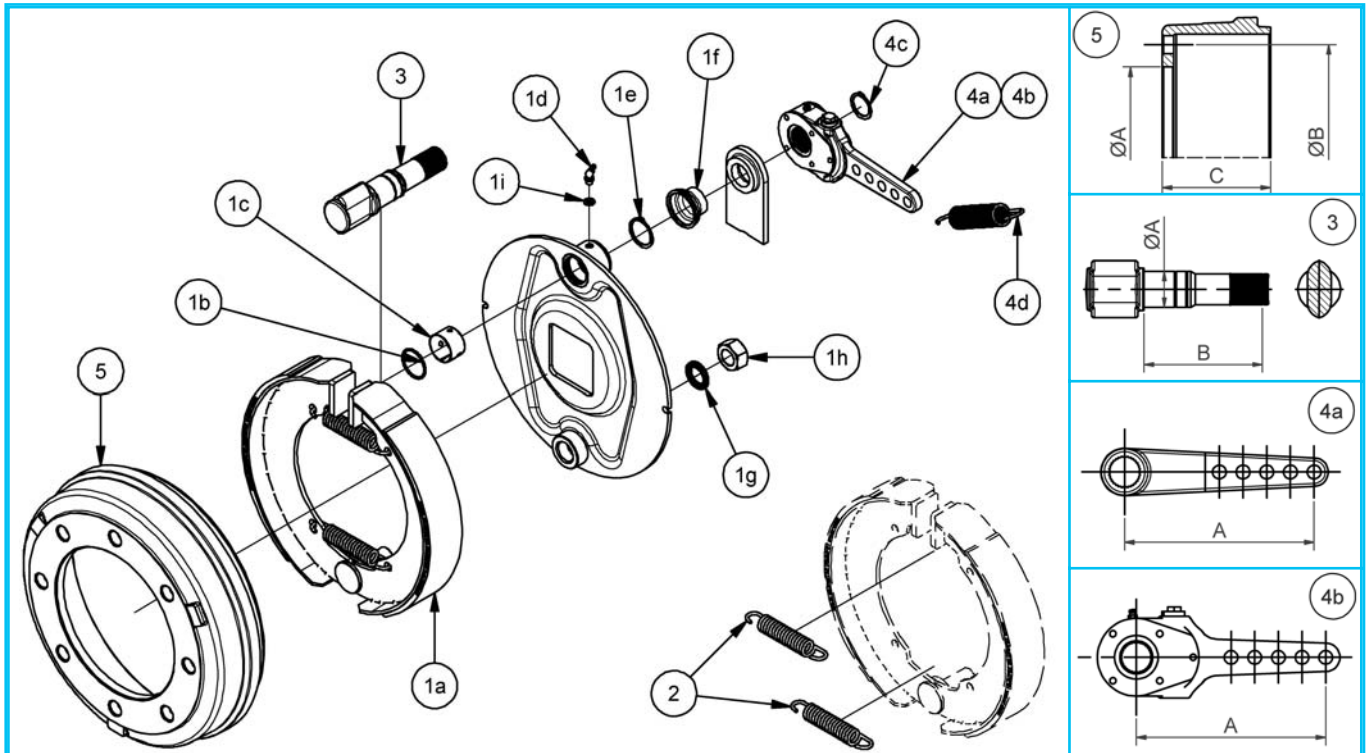


Item	Description	Code	A	B	C	Qty.	Kit code
1	Brake shoe	732IY01	-	-	-	2	9RE0052
2a	Spring Ø3,5 L170	738113	-	-	-	2	9RE0056
2b	Cap Ø5	914SP495	-	-	-	4	
2c	Spring Ø2,0 L18	738114	-	-	-	2	
2d	Bolt M5X0,8 L70	914VTT05X70D	-	-	-	2	
3a	Pin M12X1,75	914PF309I1	-	-	-	2	9RE0058
3b	Washer Ø12	9820121	-	-	-	2	
3c	Nut M12X1,75	914D12B	-	-	-	2	
4a	Cylinder	81002	-	-	-	1	9RE0054
4b	Washer Ø6	9810061	-	-	-	2	
4c	Screw M6X1 L35	9610610351	-	-	-	2	
5a	Seal	53903101	-	-	-	2	9RE0062
5b	O-ring	53103102	-	-	-	2	
5c	Rubber cover	81E03	-	-	-	2	
5c	Rubber cover	81E11	-	-	-	2	
5d	Washer Ø10	81E07	-	-	-	1	
5e	Nipple M10X1,25 - 1/4"	81E06	-	-	-	1	
5f	Vint screw M8X1,25	81E04	-	-	-	1	
6	Camshaft	7503552...	38	(1) ≤300	-	1	7503552...
	Camshaft	7503553...	38	(1) >300	-	1	7503553...
7	Lever	7611503	200	-	-	2	9RQ0012
8	Drum 6 holes for M18X1,5	66LJB0605	160	205	132	1	66LJB0605
	Drum 8 holes for M20X1,5	66LJB0804	220	275	132	1	66LJB0804

(1) - From 150mm to 300mm step 25mm. From 300mm to 1200mm step 50mm.

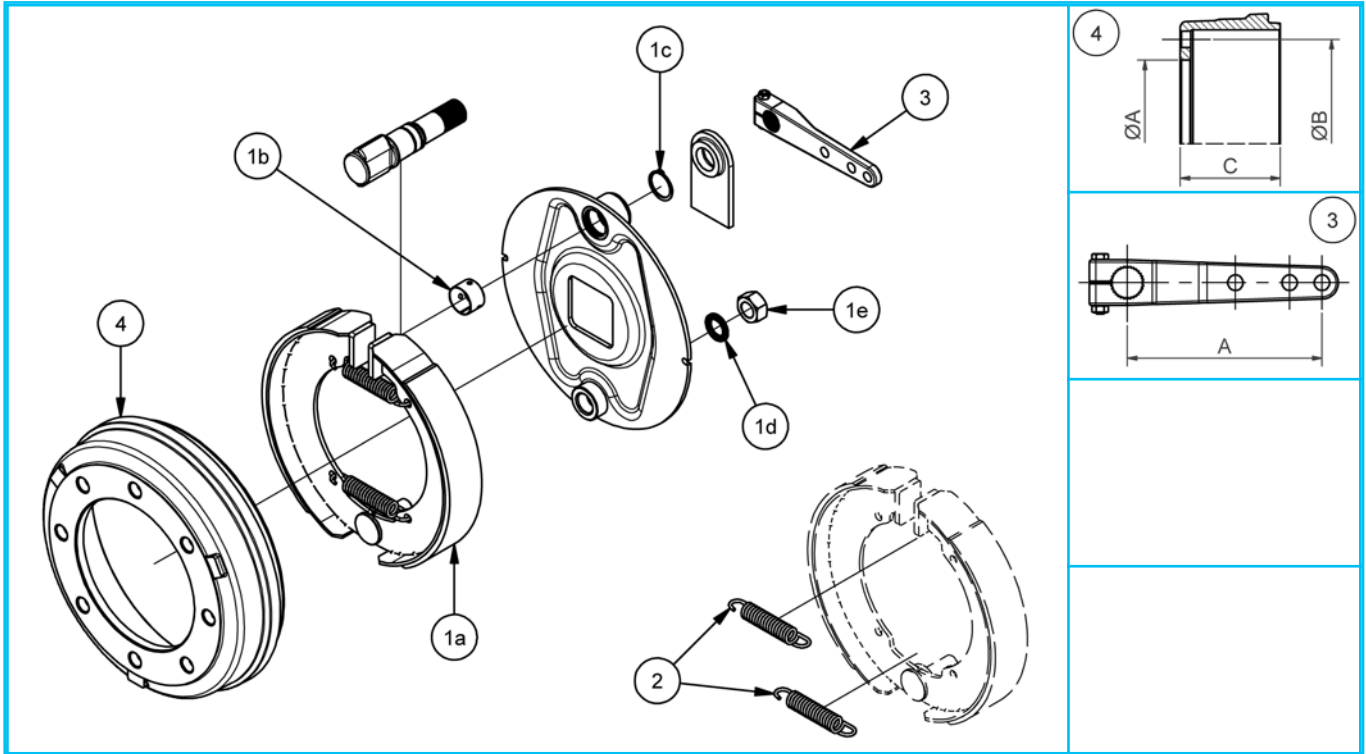


Item	Description	Code	A	B	C	Qty.	Kit code
1a	Brake assembly	9FCA350ZO	-	-	-	1	9RE0014
1b	Camshaft bush Ø36	771362601	-	-	-	1	
1c	Retaining ring Ø36	58512	-	-	-	1	
1d	Washer Ø24	9800241	-	-	-	1	
1e	Nut M24X1,5	97124B1	-	-	-	1	
2	Spring Ø4,0 L117	738110	-	-	-	4	9RK0004
3	Lever with bolt	760H18003C0	180	-	-	2	9RQ0008
	Lever with bolt	760H24004C0	240	-	-	2	9RQ0010
4	Drum 6 holes for M18X1,5	66LNF0603	160	205	96	1	66LNF0603
	Drum 8 holes for M18X1,5 Drum 8 holes for M20X1,5	66LNF0803	220	275	96	1	66LNF0803

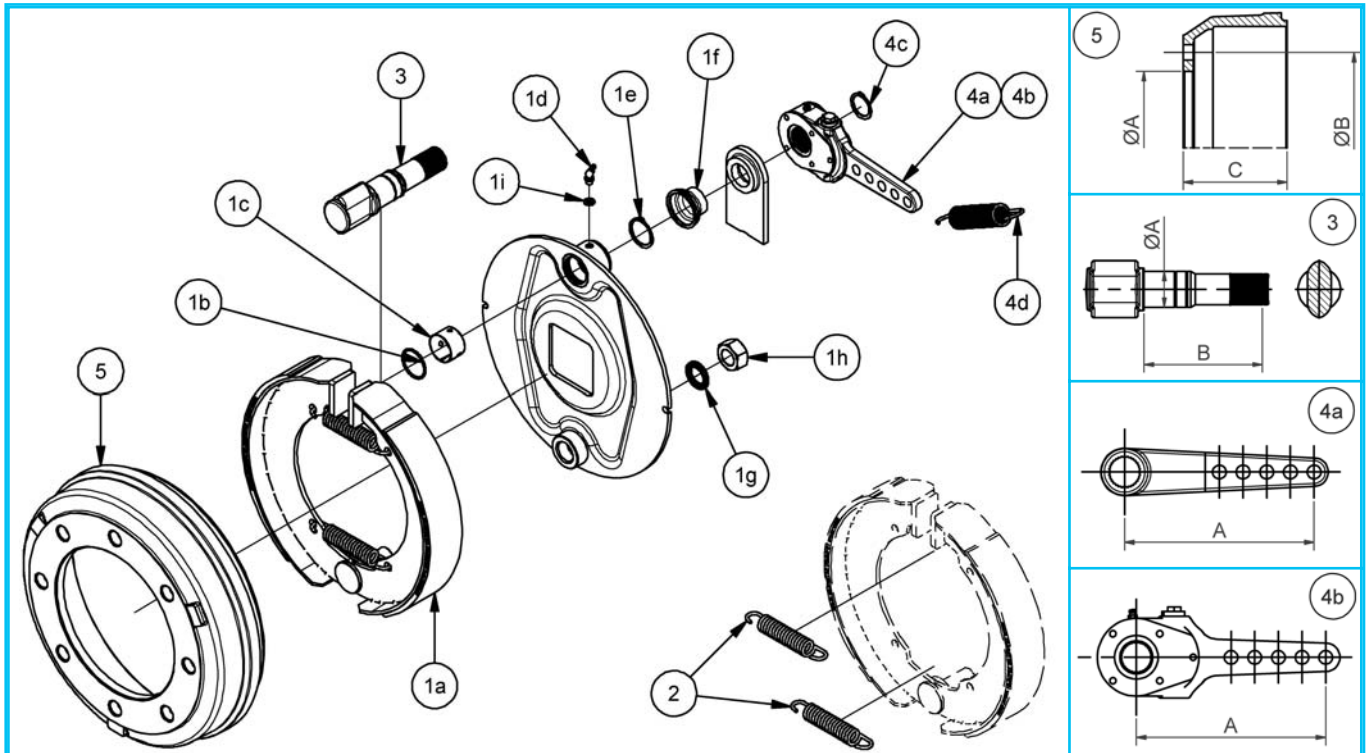


Item	Description	Code	A	B	C	Qty.	Kit code
1a	Brake assembly	731NF01	-	-	-	1	9RE0050
1b	O-ring W2,62 Ø37,77	53103801	-	-	-	1	
1c	Camshaft bush Ø38	771382601	-	-	-	1	
1d	Grease nipple M8X1,25	98608A2	-	-	-	1	
1e	Retaining ring Ø38	58513	-	-	-	1	
1f	Rubber cover	53A08	-	-	-	1	
1g	Washer Ø24	9800241	-	-	-	1	
1h	Nut M24X1,5	97124B1	-	-	-	1	
1i	Elastic washer Ø8	9830081	-	-	-	1	
2	Spring Ø4,0 L117	738110	-	-	-	4	
3	Camshaft	7503552...	38	(1) ≤300	-	1	7503552...
	Camshaft	7503553...	38	(1) >300	-	1	7503553...
4a	Lever	7611503	200	-	-	2	9RQ0012
4c	Retaining ring Ø32	58511	-	-	-	2	
4b	Slack adjuster	7621501	200	-	-	1	9RR0012
4c	Retaining ring Ø32	58511	-	-	-	1	
4d	Spring Ø3,5 L173	738201	-	-	-	1	
5	Drum 6 holes for M18X1,5	66LNF0603	160	205	96	1	66LNF0603
	Drum 8 holes for M18X1,5	66LNF0803	220	275	96	1	66LNF0803
	Drum 8 holes for M20X1,5						

(1) - From 150mm to 300mm step 25mm. From 300mm to 1200mm step 50mm.

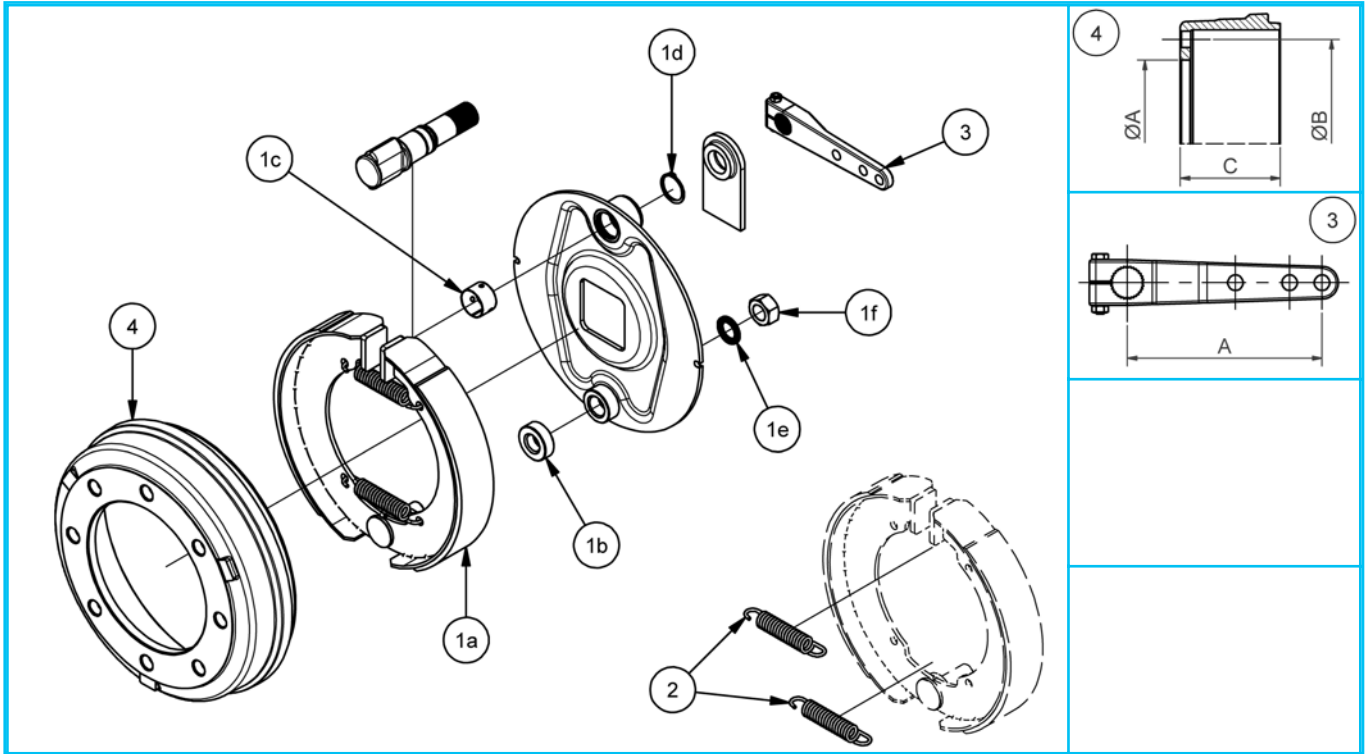


Item	Description	Code	A	B	C	Qty.	Kit code
1a	Brake assembly	9FCA350Z8	-	-	-	1	9RE0016
1b	Camshaft bush Ø36	771362601	-	-	-	1	
1c	Retaining ring Ø36	58512	-	-	-	1	
1d	Washer Ø24	9800241	-	-	-	1	
1e	Nut M24X1,5	97124B1	-	-	-	1	
2	Spring Ø4,0 L117	738110	-	-	-	4	9RK0004
3	Lever with bolt	760H18003C0	180	-	-	2	9RQ0008
	Lever with bolt	760H24004C0	240	-	-	2	9RQ0010
4	Drum 8 holes for M18X1,5 Drum 8 holes for M20X1,5	66LQA0801	220	275	113	1	66LQA0801



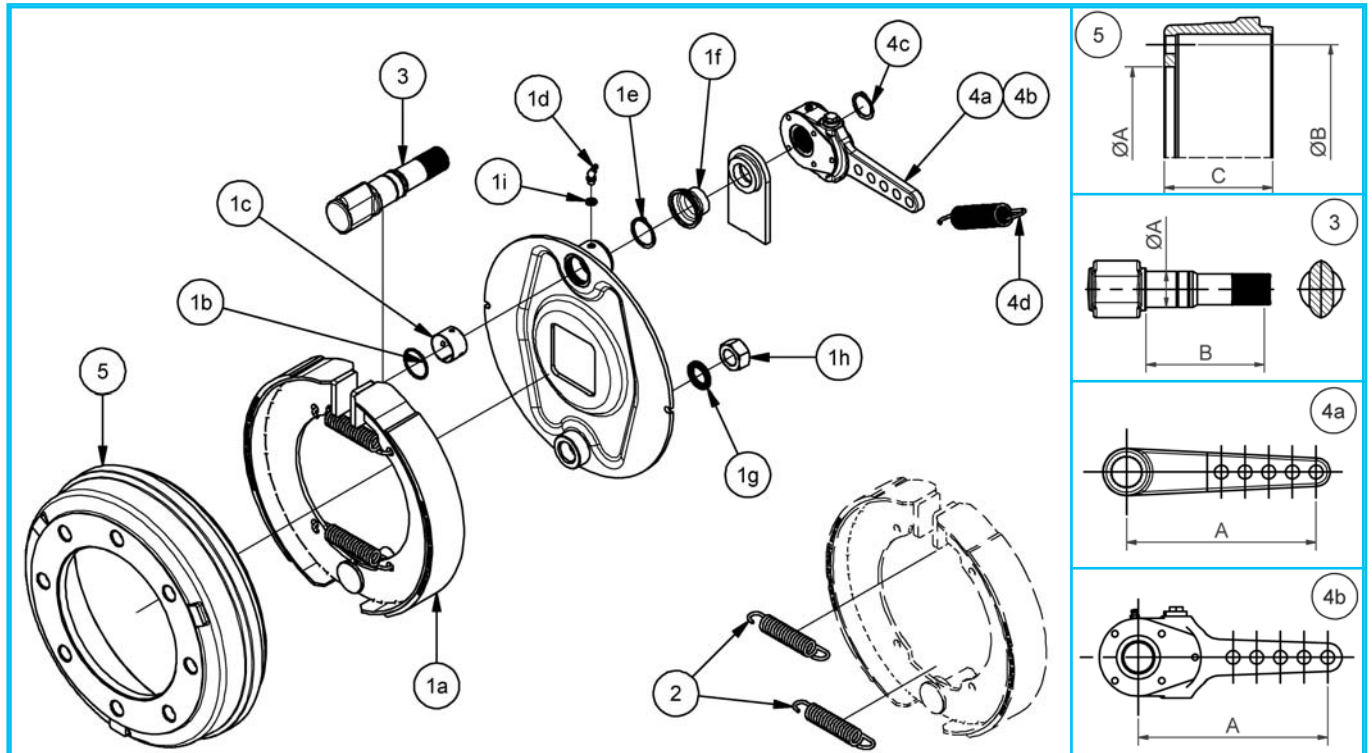
Item	Description	Code	A	B	C	Qty.	Kit code
1a	Brake assembly	731QF01	-	-	-	1	9RE0066
1b	Camshaft bush Ø38	771382601	-	-	-	1	
1c	O-ring W2,62 Ø37,77	53103801	-	-	-	1	
1d	Grease nipple M8X1,25	98608A2	-	-	-	1	
1e	Retaining ring Ø38	58513	-	-	-	1	
1f	Rubber cover	53A08	-	-	-	1	
1g	Washer Ø24	9800241	-	-	-	1	
1h	Nut M24X1,5	97124B1	-	-	-	1	
1i	Elastic washer Ø8	9830081	-	-	-	1	
2	Spring Ø4,0 L117	738110	-	-	-	4	
3	Camshaft	7503552...	38	(1) ≤300	-	1	7503552...
	Camshaft	7503553...	38	(1) >300	-	1	7503553...
4a	Lever	7611503	200	-	-	2	9RQ0012
4c	Retaining ring Ø32	58511	-	-	-	2	
4b	Slack adjuster	7621501	200	-	-	1	9RR0012
4c	Retaining ring Ø32	58511	-	-	-	1	
4d	Spring Ø3,5 L173	738201	-	-	-	1	
5	Drum 6 holes for M18X1,5	66LQC0602	160	205	150	1	66LQC0602
	Drum 8 holes for M20X1,5	66LQC0802	220	275	150	1	66LQC0802

(1) - From 150mm to 300mm step 25mm. From 300mm to 1200mm step 50mm.



Item	Description	Code	A	B	C	Qty.	Kit code
1a	Brake assembly	731TG01	-	-	-	1	(1) - 9RE0048
1b	Adapter	921B408E40G	-	-	-	1	
1c	Camshaft bush Ø36	771362601	-	-	-	1	
1d	Retaining ring Ø36	58512	-	-	-	1	
1e	Washer Ø24	9800241	-	-	-	1	
1f	Nut M24X1,5	97124B1	-	-	-	1	
2	Spring Ø4,5 L162	738117	-	-	-	4	9RK0005
3	Lever with bolt	760H18003C0	180	-	-	2	9RQ0008
	Lever with bolt	760H24004C0	240	-	-	2	9RQ0010
4	Drum 6 holes for M18X1,5	66LTG0602	160	205	118	1	66LTG0602
	Drum 8 holes for M20X1,5	66LTG0801	220	275	118	1	66LTG0801
	Drum 10 holes for M22X1,5	66LTG1004	280	335	118	1	66LTG1004

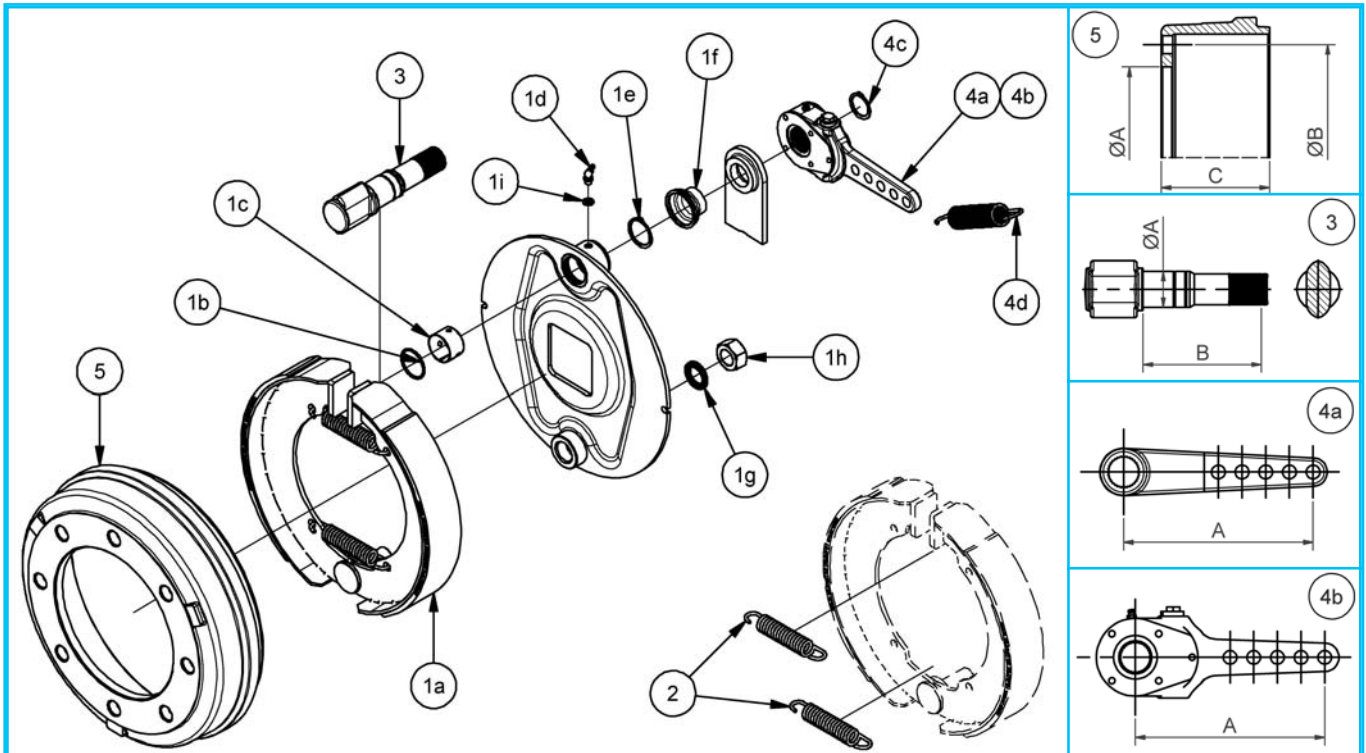
(1) - In the kit are included the bush, the O-ring and other spare parts of the brake 408E.



Item	Description	Code	A	B	C	Qty.	Kit code
1a	Brake assembly	731TG01	-	-	-	1	(1) - 9RE0048
1b	Camshaft bush Ø38	771382601	-	-	-	1	
1c	O-ring W2,62 Ø37,77	53103801	-	-	-	1	
1d	Grease nipple M8X1,25	98608A2	-	-	-	1	
1e	Retaining ring Ø38	58513	-	-	-	1	
1f	Rubber cover	53A08	-	-	-	1	
1g	Washer Ø24	9800241	-	-	-	1	
1h	Nut M24X1,5	97124B1	-	-	-	1	
1i	Elastic washer Ø8	9830081	-	-	-	1	
2	Spring Ø4,5 L162	738117	-	-	-	4	
3	Camshaft	7503552...	38	(2) ≤300	-	1	7503552...
	Camshaft	7503553...	38	(2) >300	-	1	7503553...
4a	Lever	7611503	200	-	-	2	9RQ0012
4c	Retaining ring Ø32	58511	-	-	-	2	9RR0012
4b	Slack adjuster	7621501	200	-	-	1	
4c	Retaining ring Ø32	58511	-	-	-	1	
4d	Spring Ø3,5 L173	738201	-	-	-	1	
5	Drum 6 holes for M18X1,5	66LTG0602	160	205	118	1	66LTG0602
	Drum 8 holes for M20X1,5	66LTG0801	220	275	118	1	66LTG0801
	Drum 10 holes for M22X1,5	66LTG1004	280	335	118	1	66LTG1004

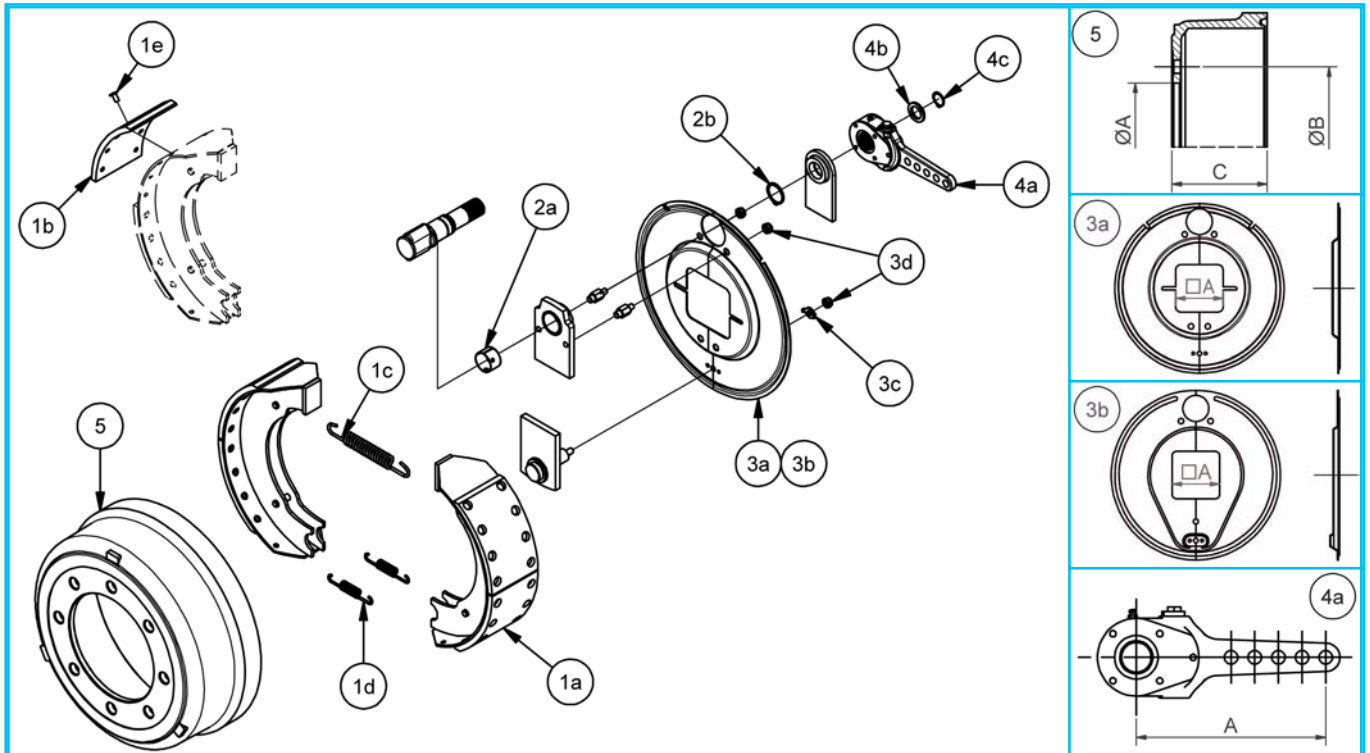
(1) - In the kit are included the bush and other spare parts of the brake 40G.

(2) - From 150mm to 300mm step 25mm. From 300mm to 1200mm step 50mm.



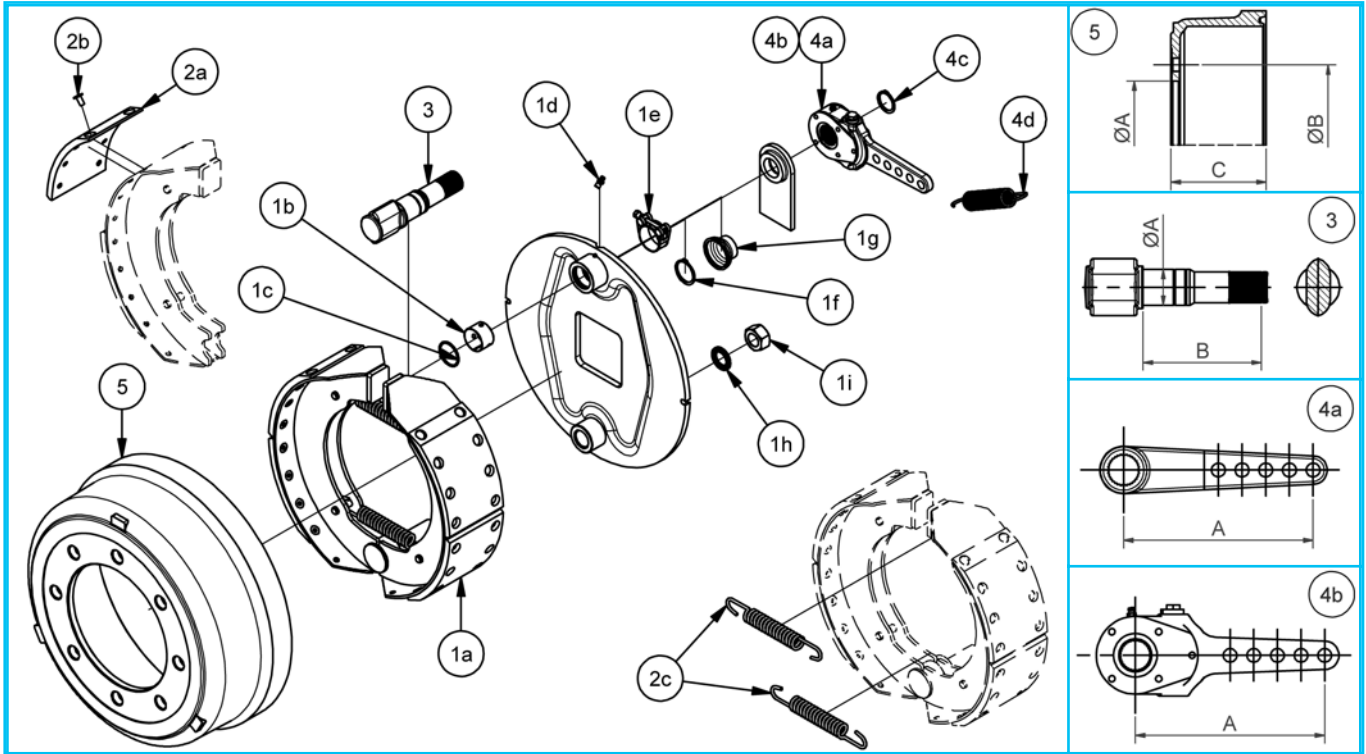
Item	Description	Code	A	B	C	Qty.	Kit code
1a	Brake assembly	731TC01	-	-	-	1	9RE0049
1b	Camshaft bush Ø38	771382601	-	-	-	1	
1c	O-ring W2,62 Ø37,77	53103801	-	-	-	1	
1d	Grease nipple M8X1,25	98608A2	-	-	-	1	
1e	Retaining ring Ø38	58513	-	-	-	1	
1f	Rubber cover	53A08	-	-	-	1	
1g	Washer Ø24	9800241	-	-	-	1	
1h	Nut M24X1,5	97124B1	-	-	-	1	
1i	Elastic washer Ø8	9830081	-	-	-	1	
2	Spring Ø4,5 L162	738117	-	-	-	4	
3	Camshaft	7503552...	38	(1) ≤300	-	1	7503552...
	Camshaft	7503553...	38	(1) >300	-	1	7503553...
4a	Lever	7611503	200	-	-	2	9RQ0012
4c	Retaining ring Ø32	58511	-	-	-	2	
4b	Slack adjuster	7621501	200	-	-	1	9RR0012
4c	Retaining ring Ø32	58511	-	-	-	1	
4d	Spring Ø3,5 L173	738201	-	-	-	1	
5	Drum 6 holes for M18X1,5	66LTG0602	160	205	118	1	66LTG0602
	Drum 8 holes for M20X1,5	66LTG0801	220	275	118	1	66LTG0801
	Drum 10 holes for M22X1,5	66LTG1004	280	335	118	1	66LTG1004

(1) - From 150mm to 300mm step 25mm. From 300mm to 1200mm step 50mm.



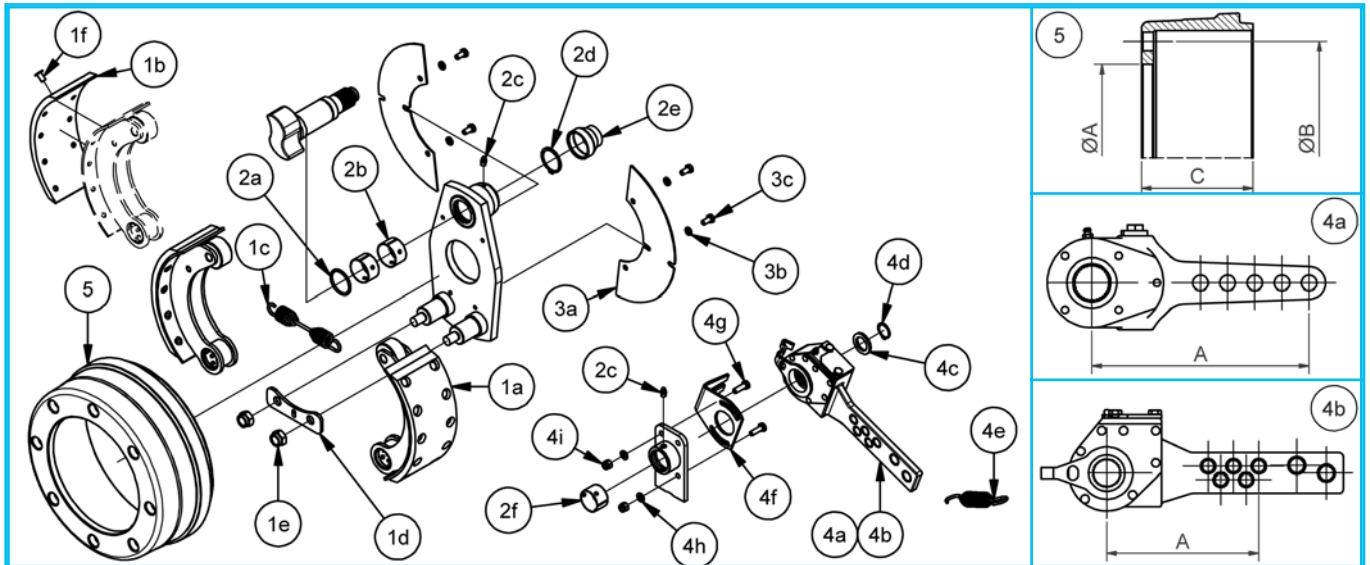
Item	Description	Code	A	B	C	Qty.	Kit code
1a	Brake assembly	732VE01	-	-	-	2	
1c	Spring Ø4,5 L162	738117	-	-	-	1	9RE0032
1d	Spring Ø3,5 L108	738118	-	-	-	2	
1b	Brake lining	734VA01	-	-	-	4	
1c	Spring Ø4,5 L162	738117	-	-	-	1	9RH0012
1d	Spring Ø3,5 L108	738118	-	-	-	2	
1e	Rivet	96701	-	-	-	34	
1c	Spring Ø4,5 L162	738117	-	-	-	2	9RK0006
1d	Spring Ø3,5 L108	738118	-	-	-	4	
2a	Camshaft bush Ø38	771382601	-	-	-	2	9RL0012
2b	Retaining ring Ø38	58513	-	-	-	2	
3a	Protection plate	910PP41290	90	-	-	1	(1) - 9RM0006-90
3c	Lock washer Ø10	57B1001	-	-	-	1	
3d	Nut M10X1,5	97510B1	-	-	-	4	
3a	Protection plate	910PP412100	100	-	-	1	(1) - 9RM0006-100
3c	Lock washer Ø10	57B1001	-	-	-	1	
3d	Nut M10X1,5	97510B1	-	-	-	4	
3a	Protection plate	910PP412110	110	-	-	1	(1) - 9RM0006-110
3c	Lock washer Ø10	57B1001	-	-	-	1	
3d	Nut M10X1,5	97510B1	-	-	-	4	
3b	Protection plate	743VA9011	90	-	-	1	9RM003
3c	Lock washer Ø10	57B1001	-	-	-	1	
3d	Nut M10X1,5	97510B1	-	-	-	4	
3b	Protection plate	743VAA011	100	-	-	1	9RM004
3c	Lock washer Ø10	57B1001	-	-	-	1	
3d	Nut M10X1,5	97510B1	-	-	-	4	
3b	Protection plate	743VAA111	110	-	-	1	9RM005
3c	Lock washer Ø10	57B1001	-	-	-	1	
3d	Nut M10X1,5	97510B1	-	-	-	4	
4a	Slack adjuster	7621501	200	-	-	1	9RR0004
4b	Washer Ø26	9812601	-	-	-	1	
4c	Retaining ring Ø25	58508	-	-	-	1	
5	Drum 8 holes for M20X1,5	66LVA0801	220	275	162	1	66LVA0801
	Drum 10 holes for M22X1,5	66LVA1001	280	335	162	1	66LVA1001

(1) - For axles produced till 2002.



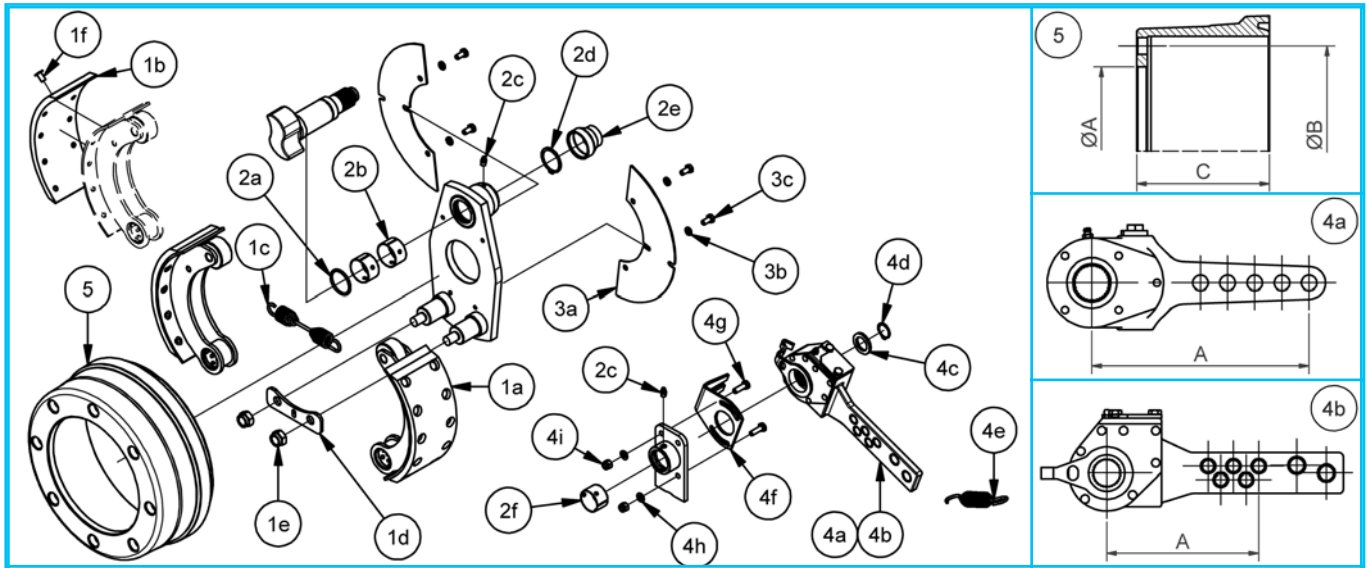
Item	Description	Code	A	B	C	Qty.	Kit code
1a	Brake assembly	731VE01	-	-	-	1	9RE0074
1b	Camshaft bush Ø38	771382601	-	-	-	1	
1c	O-ring W2,62 Ø37,77	53103801	-	-	-	1	
1d	Grease nipple M8X1,25	98608A3	-	-	-	1	
1e	Clamp Ø38	98E03	-	-	-	1	
1f	Retaining ring Ø38	58513	-	-	-	1	
1g	Rubber cover	53A08	-	-	-	1	
1h	Washer Ø24	9800241	-	-	-	1	
1i	Nut M24X1,5	97124B1	-	-	-	1	
2a	Brake lining	734VA01	-	-	-	4	
2b	Rivet	96701	-	-	-	32	
2c	Spring Ø4,5 L162	738117	-	-	-	2	
2c	Spring Ø4,5 L162	738117	-	-	-	4	9RK0005
3	Camshaft	7503552...	38	(1) ≤300	-	1	7503552...
	Camshaft	7503553...	38	(1) >300	-	1	7503553...
4a	Lever	7611503	200	-	-	2	9RQ0012
4b	Slack adjuster	7621501	200	-	-	1	9RR0012
4c	Retaining ring Ø32	58511	-	-	-	1	
4d	Spring Ø3,5 L173	738201	-	-	-	1	
5	Drum 8 holes for M20X1,5	66LVA0801	220	275	162	1	
	Drum 10 holes for M22X1,5	66LVA1001	280	335	162	1	66LVA1001

(1) - From 150mm to 300mm step 25mm. From 300mm to 1200mm step 50mm.

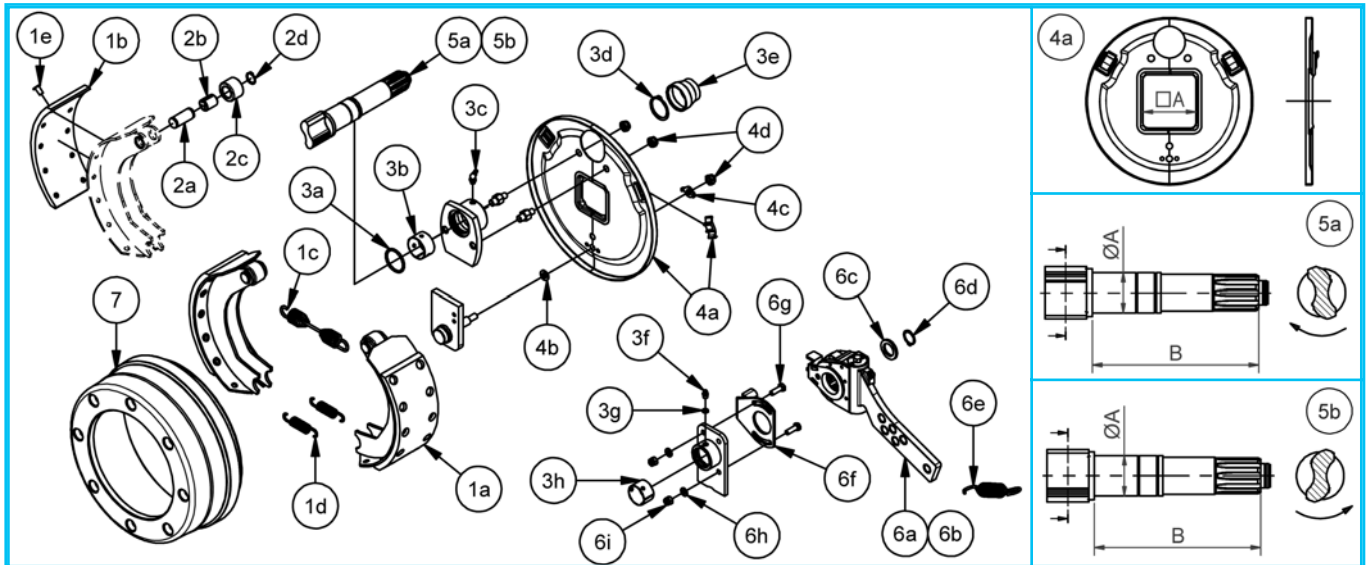


Item	Description	Code	A	B	C	Qty.	Kit code
1a	Brake shoe complete	9FC310	-	-	-	2	(1) 9RE0020
1c	Spring Ø4,0 L168	738116	-	-	-	1	
1d	Plate	914SP153	-	-	-	1	
1e	Nut M16X2	97516D1	-	-	-	2	
1b	Brake lining	9FC310-GUARN	-	-	-	2	9RH0002
1c	Spring Ø4,0 L168	738116	-	-	-	1	9RL0002
1f	Rivet	96701	-	-	-	22	
2a	O-ring W3,53 Ø41,28	53104101	-	-	-	2	
2b	Camshaft bush Ø42/44,5 L26	771422601	-	-	-	4	
2c	Grease nipple M8X1,25	98608A1	-	-	-	4	
2d	Retaining ring Ø42	58514	-	-	-	2	
2e	Rubber cover	53A02	-	-	-	2	9RM0002
2f	Camshaft bush Ø34/40 L34	921BN4034	-	-	-	2	
3a	Half protection plate	910PP314	-	-	-	2	
3b	Washer Ø8	9830081	-	-	-	4	
3c	Screw M8X1,25 L16	96108A0161	-	-	-	4	9RR0008
4a	Slack adjuster	7621501	200	-	-	1	
4c	Washer Ø26	9812601	-	-	-	1	
4d	Retaining ring Ø25	58508	-	-	-	1	
4e	Spring Ø3,5 L173	738201	-	-	-	1	9RS0002
4b	Automatic slack adjuster	7631501	180	-	-	1	
4c	Washer Ø26	9812601	-	-	-	1	
4d	Retaining ring Ø25	58508	-	-	-	1	
4e	Spring Ø2,8 L145	738203	-	-	-	1	
4f	Setting plate	76A03	-	-	-	1	
4g	Screw M8X1,25 L25	96108A0251	-	-	-	2	
4h	Washer Ø8	9810081	-	-	-	2	
4i	Nut M8X1,25	97408A1	-	-	-	2	66LJB0605
5	Drum 6 holes for M18X1,5	66LJB0605	160	205	133	1	
	Drum 8 holes for M20X1,5	66LJB0804	220	275	132	1	66LJB0804

(1) - Out of production from 2021.

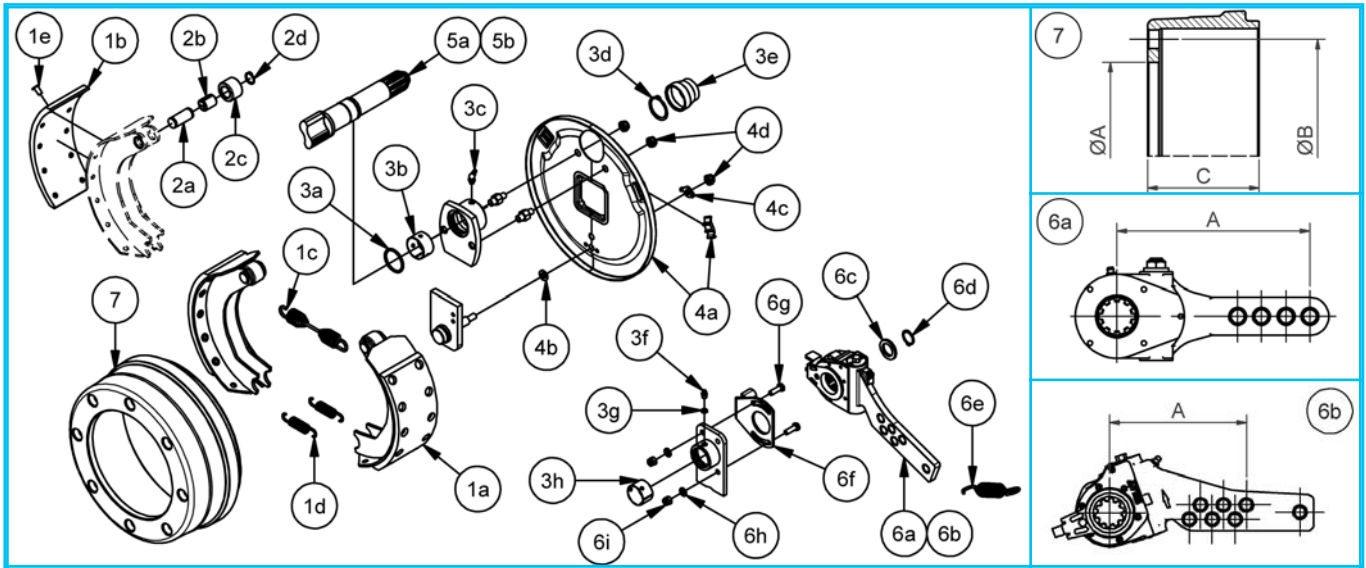


Item	Description	Code	A	B	C	Qty.	Kit code
1a	Brake shoe complete	9FC314	-	-	-	2	9RE0024
1c	Spring Ø4,0 L168	738116	-	-	-	1	
1d	Plate	914SP153	-	-	-	1	
1e	Nut M16X2	97516D1	-	-	-	2	
1b	Brake lining	9FC314-GUARN	-	-	-	2	9RH0020
1c	Spring Ø4,0 L168	738116	-	-	-	1	
1f	Rivet	96701	-	-	-	22	9RL0002
2a	O-ring W3,53 Ø41,28	53104101	-	-	-	2	
2b	Camshaft bush Ø42/44,5 L26	771422601	-	-	-	4	
2c	Grease nipple M8X1,25	98608A1	-	-	-	4	
2d	Retaining ring Ø42	58514	-	-	-	2	
2e	Rubber cover	53A02	-	-	-	2	
2f	Camshaft bush Ø34/40 L34	921BN4034	-	-	-	2	9RM0002
3a	Half protection plate	910PP314	-	-	-	2	
3b	Washer Ø8	9830081	-	-	-	4	
3c	Screw M8X1,25 L16	96108A0161	-	-	-	4	9RR0008
4a	Slack adjuster	7621501	200	-	-	1	
4c	Washer Ø26	9812601	-	-	-	1	
4d	Retaining ring Ø25	58508	-	-	-	1	
4e	Spring Ø3,5 L173	738201	-	-	-	1	9RS0002
4b	Automatic slack adjuster	7631501	180	-	-	1	
4c	Washer Ø26	9812601	-	-	-	1	
4d	Retaining ring Ø25	58508	-	-	-	1	
4e	Spring Ø2,8 L145	738203	-	-	-	1	
4f	Setting plate	76A03	-	-	-	1	
4g	Screw M8X1,25 L25	96108A0251	-	-	-	2	
4h	Washer Ø8	9810081	-	-	-	2	
4i	Nut M8X1,25	97408A1	-	-	-	2	66LKB0601
5	Drum 6 holes for M18X1,5	66LKB0601	160	205	176	1	
	Drum 8 holes for M20X1,5	66LKB0802	220	275	175	1	
	Drum 10 holes for M22X1,5	66LKB1R01	185	225	176	1	



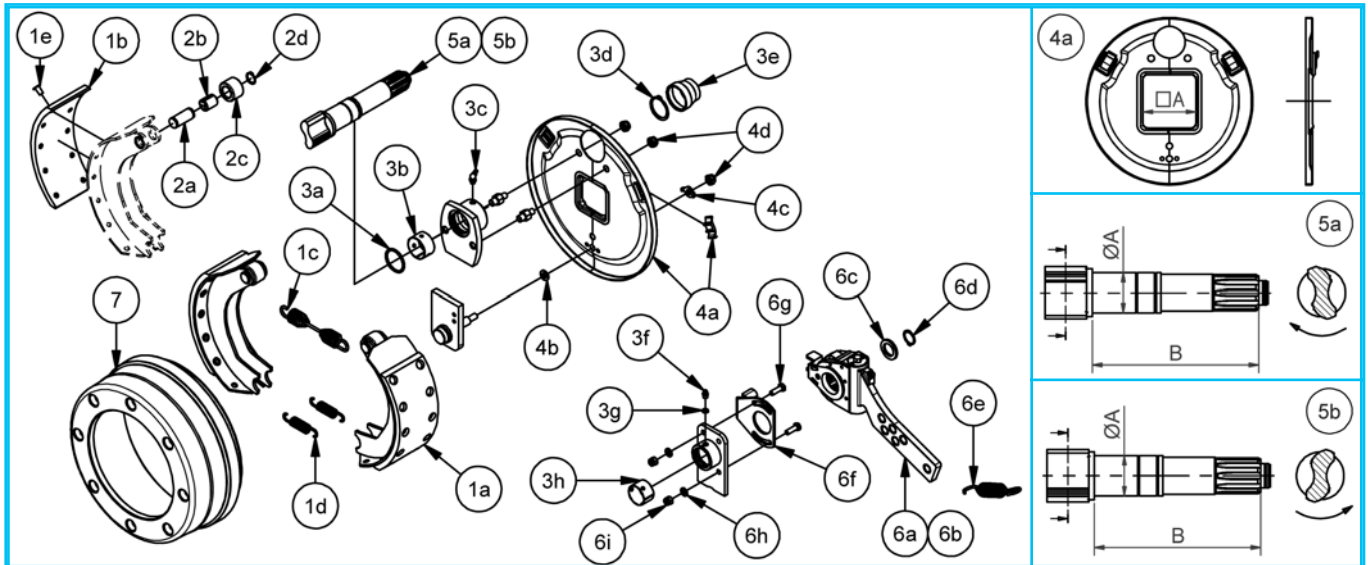
Item	Description	Code	A	B	C	Qty.	Kit code
1a	Brake shoe complete	732JB01	-	-	-	2	9RE0022
1c	Spring Ø4,0 L168	738116	-	-	-	1	
1d	Spring Ø3,0 L82	738115	-	-	-	2	
1b	Brake lining	734JB01	-	-	-	2	9RH0004
1c	Spring Ø4,0 L168	738116	-	-	-	1	
1d	Spring Ø3,0 L82	738115	-	-	-	2	
1e	Rivet	96702	-	-	-	22	9RE0068
2a	Pin Ø20 L47	83302002	-	-	-	2	
2b	Bush Ø20	771202601	-	-	-	2	
2c	Roll Ø38	737JB01	-	-	-	2	
2d	Retaining ring Ø20	58501	-	-	-	4	9RL0004
3a	O-ring W3,53 Ø41,28	53104101	-	-	-	2	
3b	Camshaft bush Ø42/44,5 L26	771422601	-	-	-	2	
3c	Grease nipple M8X1,25	98608A2	-	-	-	2	
3d	Retaining ring Ø42	58514	-	-	-	2	
3e	Rubber cover	53A03	-	-	-	2	
3f	Grease nipple M8X1,25	98608A1	-	-	-	2	(1) 9RM0004
3g	Washer Ø8	9810081	-	-	-	4	
3h	Camshaft bush Ø38/40,5 L26	771382601	-	-	-	2	
4a	Protection plate with rubber caps	743JB7012	70	-	-	1	
4b	Washer Ø10	9811001	-	-	-	1	(1) 9RM0004-80
4c	Lock washer Ø10	57B1001	-	-	-	1	
4d	Nut M10X1,5	97510B1	-	-	-	3	
4a	Protection plate with rubber caps	743JB8012	80	-	-	1	(1) 9RM0004-90
4b	Washer Ø10	9811001	-	-	-	1	
4c	Lock washer Ø10	57B1001	-	-	-	1	
4d	Nut M10X1,5	97510B1	-	-	-	3	
4a	Protection plate with rubber caps	743JB9012	90	-	-	1	(1) 9RM0004-90
4b	Washer Ø10	9811001	-	-	-	1	
4c	Lock washer Ø10	57B1001	-	-	-	1	
4d	Nut M10X1,5	97510B1	-	-	-	3	

(1) - For axles produced from 2019.



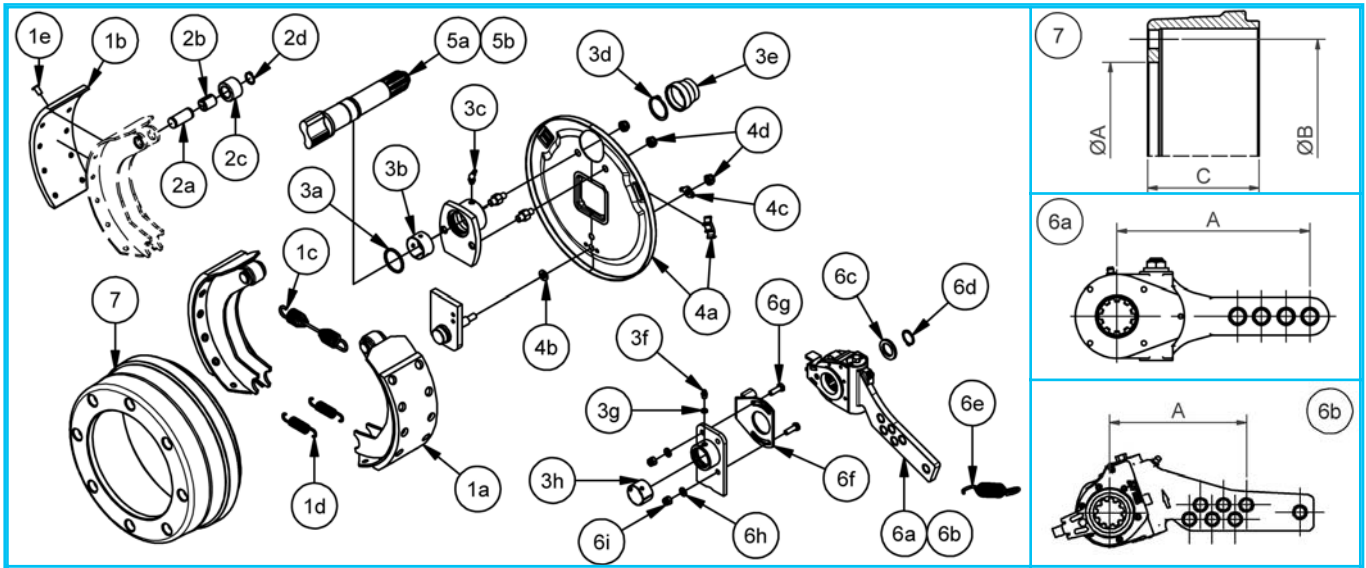
Item	Description	Code	A	B	C	Qty.	Kit code
4a	Protection plate with rubber caps	743JBA012	100	-	-	1	9RM0004-100
4b	Washer Ø10	9811001	-	-	-	1	
4c	Lock washer Ø10	57B1001	-	-	-	1	
4d	Nut M10X1,5	97510B1	-	-	-	3	
4a	Protection plate with rubber caps	743JBA112	110	-	-	1	9RM0004-110
4b	Washer Ø10	9811001	-	-	-	1	
4c	Lock washer Ø10	57B1001	-	-	-	1	
4d	Nut M10X1,5	97510B1	-	-	-	3	
5a	Right camshaft	75C4062...	42	(2) ≤300	-	1	75C4062...
	Right camshaft	75C4063...	42	(2) >300	-	1	75C4063...
5b	Left camshaft	75D4062...	42	(2) ≤300	-	1	75D4062...
	Left camshaft	75D4063...	42	(2) >300	-	1	75D4063...
6a	Slack adjuster	7621603	203	-	-	1	9RR0010
6c	Washer Ø26	9812601	-	-	-	1	
6d	Retaining ring Ø25	58508	-	-	-	1	
6e	Spring Ø3,5 L173	738201	-	-	-	1	
6b	Automatic slack adjuster	7631606	180	-	-	1	9RS0016
6c	Washer Ø26	9812601	-	-	-	1	
6d	Retaining ring Ø25	58508	-	-	-	1	
6e	Spring Ø2,8 L145	738203	-	-	-	1	
6f	Setting plate	76A16	-	-	-	1	
6g	Screw M8X1,25 L25	96108A0251	-	-	-	2	
6h	Washer Ø8	9810081	-	-	-	2	
6i	Nut M8X1,25	97408A1	-	-	-	2	
7	Drum 6 holes for M18X1,5	66LJB0605	160	205	133	1	66LJB0605
	Drum 8 holes for M20X1,5	66LJB0804	220	275	132	1	66LJB0804

(2) - From 175mm to 300mm step 25mm. From 300mm to 1200mm step 50mm.



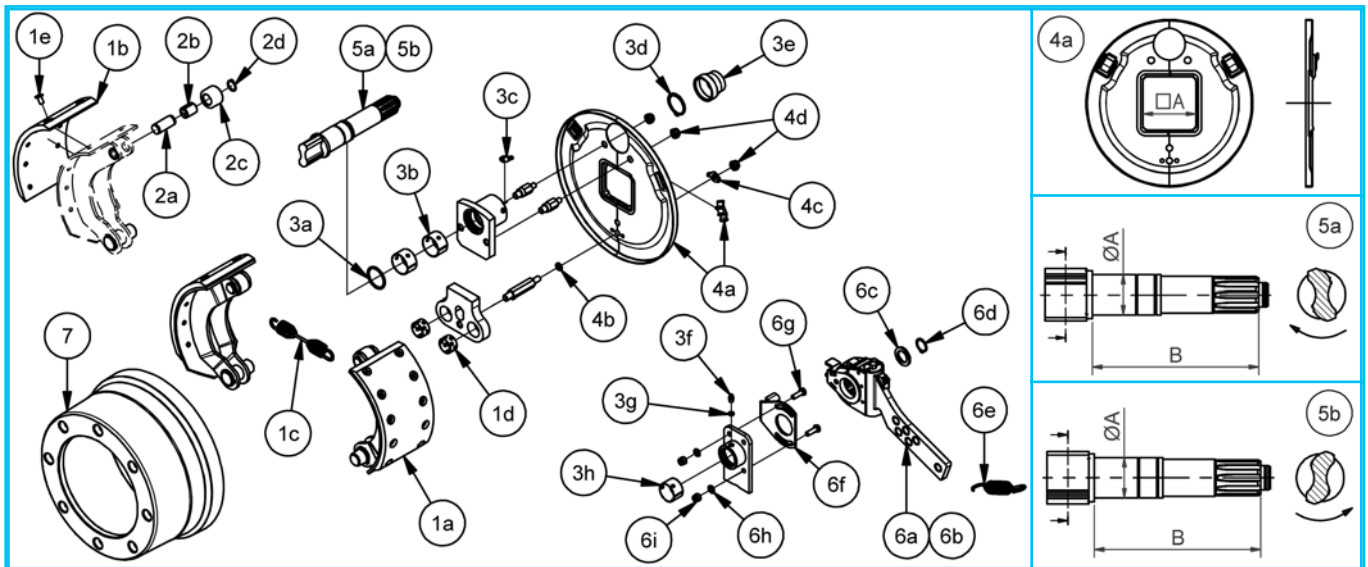
Item	Description	Code	A	B	C	Qty.	Kit code
1a	Brake shoe complete	732JF01	-	-	-	2	9RE0023
1c	Spring Ø4,0 L168	738116	-	-	-	1	
1d	Spring Ø3,0 L82	738115	-	-	-	2	
1b	Brake lining	734JF01	-	-	-	2	9RH0005
1c	Spring Ø4,0 L168	738116	-	-	-	1	
1d	Spring Ø3,0 L82	738115	-	-	-	2	
1e	Rivet	96702	-	-	-	22	9RE0068
2a	Pin Ø20 L47	83302002	-	-	-	2	
2b	Bush Ø20	771202601	-	-	-	2	
2c	Roll Ø38	737JB01	-	-	-	2	
2d	Retaining ring Ø20	58501	-	-	-	4	9RL0004
3a	O-ring W3,53 Ø41,28	53104101	-	-	-	2	
3b	Camshaft bush Ø42/44,5 L26	771422601	-	-	-	2	
3c	Grease nipple M8X1,25	98608A2	-	-	-	2	
3d	Retaining ring Ø42	58514	-	-	-	2	
3e	Rubber cover	53A03	-	-	-	2	
3f	Grease nipple M8X1,25	98608A1	-	-	-	2	
3g	Washer Ø8	9810081	-	-	-	4	(1) 9RM0004
3h	Camshaft bush Ø38/40,5 L26	771382601	-	-	-	2	
4a	Protection plate with rubber caps	743JB7012	70	-	-	1	
4b	Washer Ø10	9811001	-	-	-	1	
4c	Lock washer Ø10	57B1001	-	-	-	1	(1) 9RM0004-80
4d	Nut M10X1,5	97510B1	-	-	-	3	
4a	Protection plate with rubber caps	743JB8012	80	-	-	1	
4b	Washer Ø10	9811001	-	-	-	1	
4c	Lock washer Ø10	57B1001	-	-	-	1	(1) 9RM0004-90
4d	Nut M10X1,5	97510B1	-	-	-	3	
4a	Protection plate with rubber caps	743JB9012	90	-	-	1	
4b	Washer Ø10	9811001	-	-	-	1	
4c	Lock washer Ø10	57B1001	-	-	-	1	(1) 9RM0004-90
4d	Nut M10X1,5	97510B1	-	-	-	3	

(1) - For axles produced from 2019.

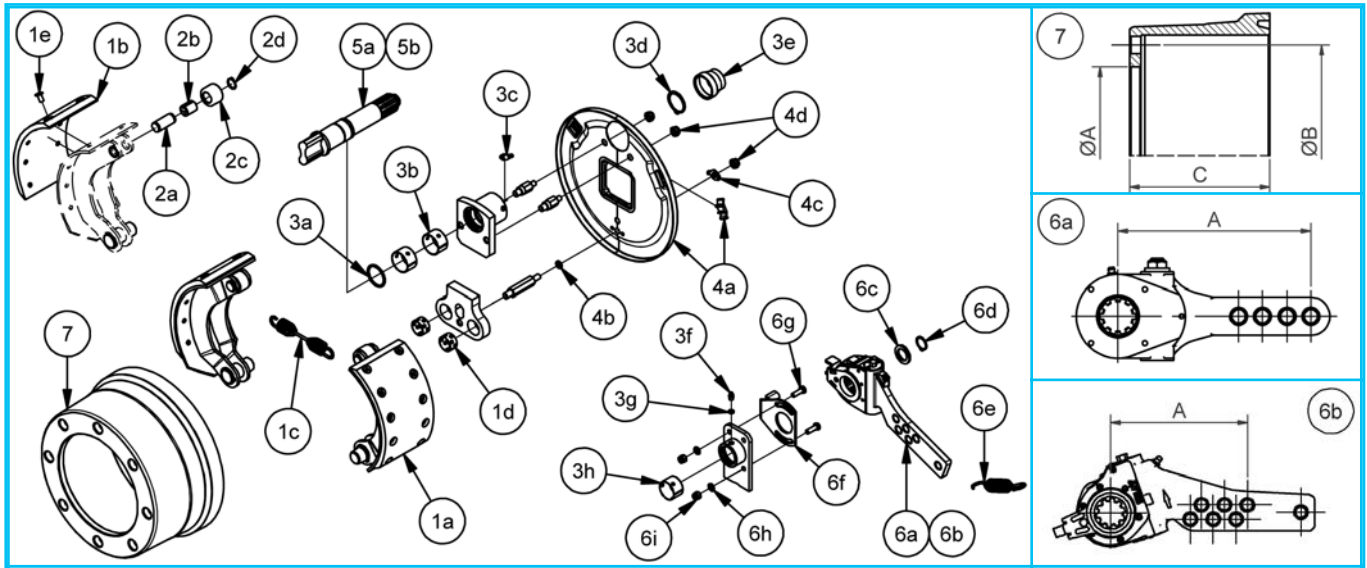


Item	Description	Code	A	B	C	Qty.	Kit code
4a	Protection plate with rubber caps	743JBA012	100	-	-	1	9RM0004-100
4b	Washer Ø10	9811001	-	-	-	1	
4c	Lock washer Ø10	57B1001	-	-	-	1	
4d	Nut M10X1,5	97510B1	-	-	-	3	
4a	Protection plate with rubber caps	743JBA112	110	-	-	1	9RM0004-110
4b	Washer Ø10	9811001	-	-	-	1	
4c	Lock washer Ø10	57B1001	-	-	-	1	
4d	Nut M10X1,5	97510B1	-	-	-	3	
5a	Right camshaft	75C4062...	42	(2) ≤300	-	1	75C4062...
	Right camshaft	75C4063...	42	(2) >300	-	1	75C4063...
5b	Left camshaft	75D4062...	42	(2) ≤300	-	1	75D4062...
	Left camshaft	75D4063...	42	(2) >300	-	1	75D4063...
6a	Slack adjuster	7621603	203	-	-	1	9RR0010
6c	Washer Ø26	9812601	-	-	-	1	
6d	Retaining ring Ø25	58508	-	-	-	1	
6e	Spring Ø3,5 L173	738201	-	-	-	1	
6b	Automatic slack adjuster	7631606	180	-	-	1	9RS0016
6c	Washer Ø26	9812601	-	-	-	1	
6d	Retaining ring Ø25	58508	-	-	-	1	
6e	Spring Ø2,8 L145	738203	-	-	-	1	
6f	Setting plate	76A16	-	-	-	1	
6g	Screw M8X1,25 L25	96108A0251	-	-	-	2	
6h	Washer Ø8	9810081	-	-	-	2	
6i	Nut M8X1,25	97408A1	-	-	-	2	
7	Drum 6 holes for M18X1,5	66LJB0605	160	205	133	1	66LJB0605
	Drum 8 holes for M20X1,5	66LJB0804	220	275	132	1	66LJB0804

(2) - From 175mm to 300mm step 25mm. From 300mm to 1200mm step 50mm.

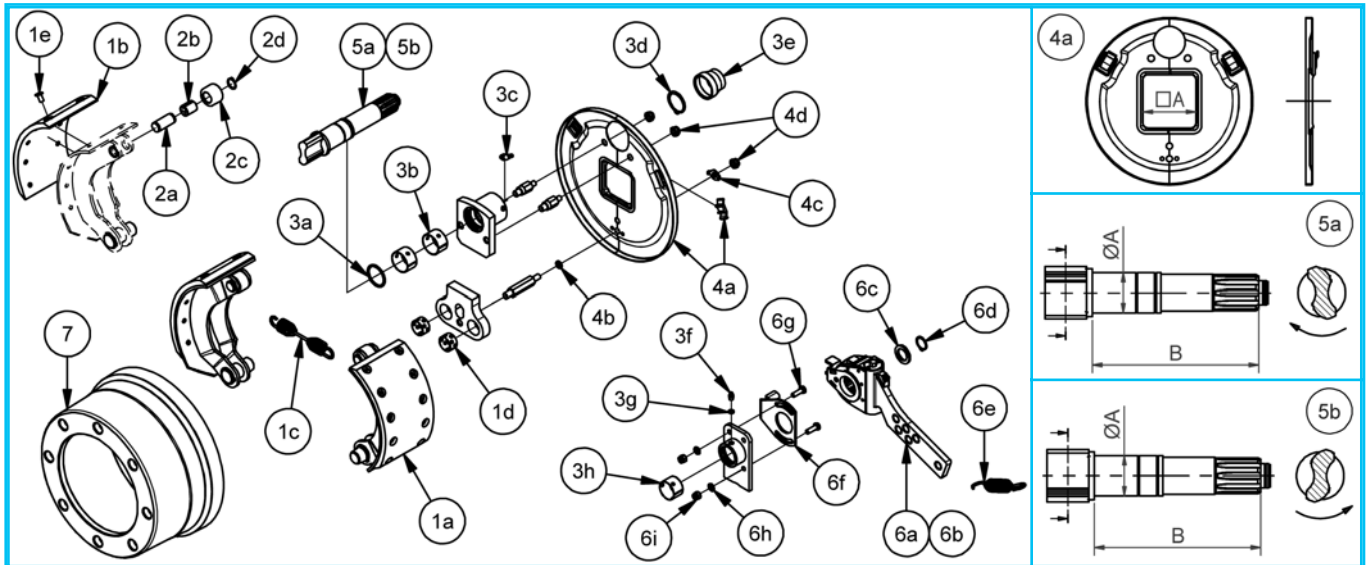


Item	Description	Code	A	B	C	Qty.	Kit code
1a	Brake shoe complete	732KB01	-	-	-	2	9RE0026
1c	Spring Ø4,0 L168	738116	-	-	-	1	
1d	Bush Ø30/32 L18	771301901	-	-	-	2	
1b	Brake lining	734KB01	-	-	-	2	9RH0006
1c	Spring Ø4,0 L168	738116	-	-	-	1	
1e	Rivet	96701	-	-	-	22	9RE0068
2a	Pin Ø20 L47	83302002	-	-	-	2	
2b	Bush Ø20	771202601	-	-	-	2	
2c	Roll Ø38	737JB01	-	-	-	2	
2d	Retaining ring Ø20	58501	-	-	-	4	9RL0010
3a	O-ring W3,53 Ø41,28	53104101	-	-	-	2	
3b	Camshaft bush Ø42	771422601	-	-	-	4	
3c	Grease nipple M8X1,25	98608A2	-	-	-	2	
3d	Retaining ring Ø42	58514	-	-	-	2	
3e	Rubber cover	53A03	-	-	-	2	
3f	Grease nipple M8X1,25	98608A1	-	-	-	2	
3g	Washer Ø8	9810081	-	-	-	4	9RM0004
3h	Camshaft bush Ø38	771382601	-	-	-	2	
4a	Protection plate with rubber caps	743JB7012	70	-	-	1	
4b	Washer Ø10	9811001	-	-	-	1	
4c	Lock washer Ø10	57B1001	-	-	-	1	9RM0004-80
4d	Nut M10X1,5	97510B1	-	-	-	3	
4a	Protection plate with rubber caps	743JB8012	80	-	-	1	
4b	Washer Ø10	9811001	-	-	-	1	
4c	Lock washer Ø10	57B1001	-	-	-	1	9RM0004-90
4d	Nut M10X1,5	97510B1	-	-	-	3	
4a	Protection plate with rubber caps	743JB9012	90	-	-	1	
4b	Washer Ø10	9811001	-	-	-	1	
4c	Lock washer Ø10	57B1001	-	-	-	1	9RM0004-90
4d	Nut M10X1,5	97510B1	-	-	-	3	

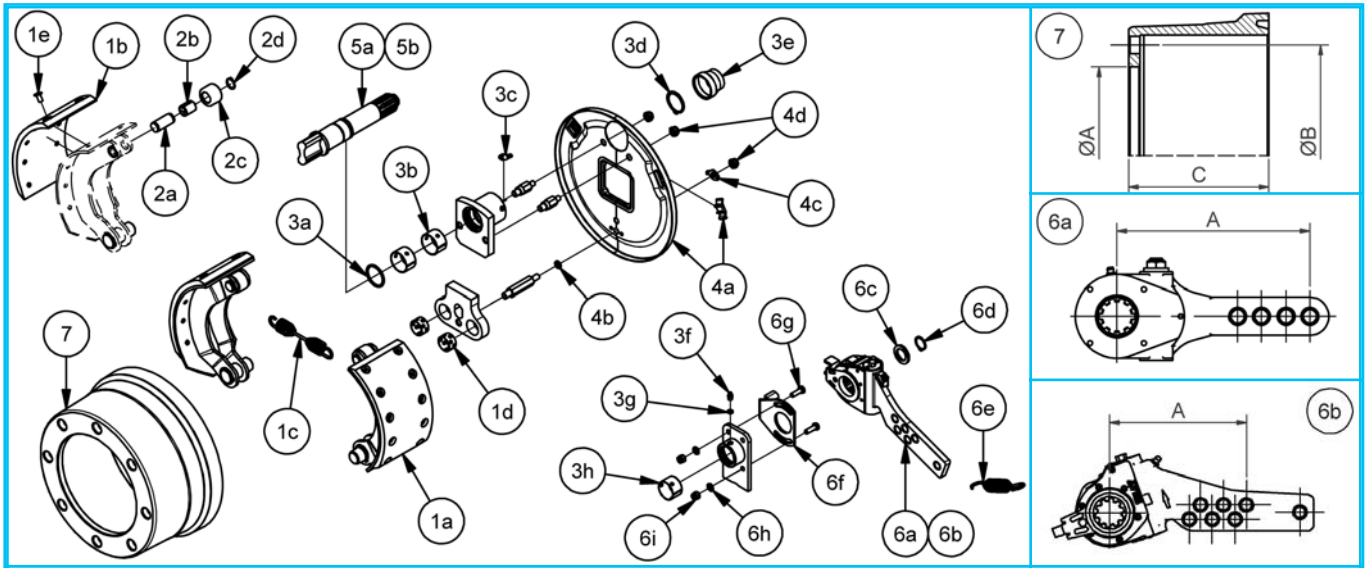


Item	Description	Code	A	B	C	Qty.	Kit code
4a	Protection plate with rubber caps	743JBA012	100	-	-	1	9RM0004-100
4b	Washer Ø10	9811001	-	-	-	1	
4c	Lock washer Ø10	57B1001	-	-	-	1	
4d	Nut M10X1,5	97510B1	-	-	-	3	
4a	Protection plate with rubber caps	743JBA112	110	-	-	1	9RM0004-110
4b	Washer Ø10	9811001	-	-	-	1	
4c	Lock washer Ø10	57B1001	-	-	-	1	
4d	Nut M10X1,5	97510B1	-	-	-	3	
5a	Right camshaft	75C4062...	42	(1) ≤300	-	1	75C4062...
	Right camshaft	75C4063...	42	(1) >300	-	1	75C4063...
5b	Left camshaft	75D4062...	42	(1) ≤300	-	1	75D4062...
	Left camshaft	75D4063...	42	(1) >300	-	1	75D4063...
6a	Slack adjuster	7621603	203	-	-	1	9RR0010
6c	Washer Ø26	9812601	-	-	-	1	
6d	Retaining ring Ø25	58508	-	-	-	1	
6e	Spring Ø3,5 L173	738201	-	-	-	1	
6b	Automatic slack adjuster	7631606	180	-	-	1	9RS0016
6c	Washer Ø26	9812601	-	-	-	1	
6d	Retaining ring Ø25	58508	-	-	-	1	
6e	Spring Ø2,8 L145	738203	-	-	-	1	
6f	Setting plate	76A16	-	-	-	1	
6g	Screw M8X1,25 L25	96108A0251	-	-	-	2	
6h	Washer Ø8	9810081	-	-	-	2	
6i	Nut M8X1,25	97408A1	-	-	-	2	
7	Drum 6 holes for M18X1,5	66LKB0601	160	205	176	1	66LKB0601
	Drum 8 holes for M20X1,5	66LKB0802	220	275	175	1	66LKB0802
	Drum 10 holes for M22X1,5	66LKB1R01	185	225	176	1	66LKB1R01

(1) - From 175mm to 300mm step 25mm. From 300mm to 1200mm step 50mm.

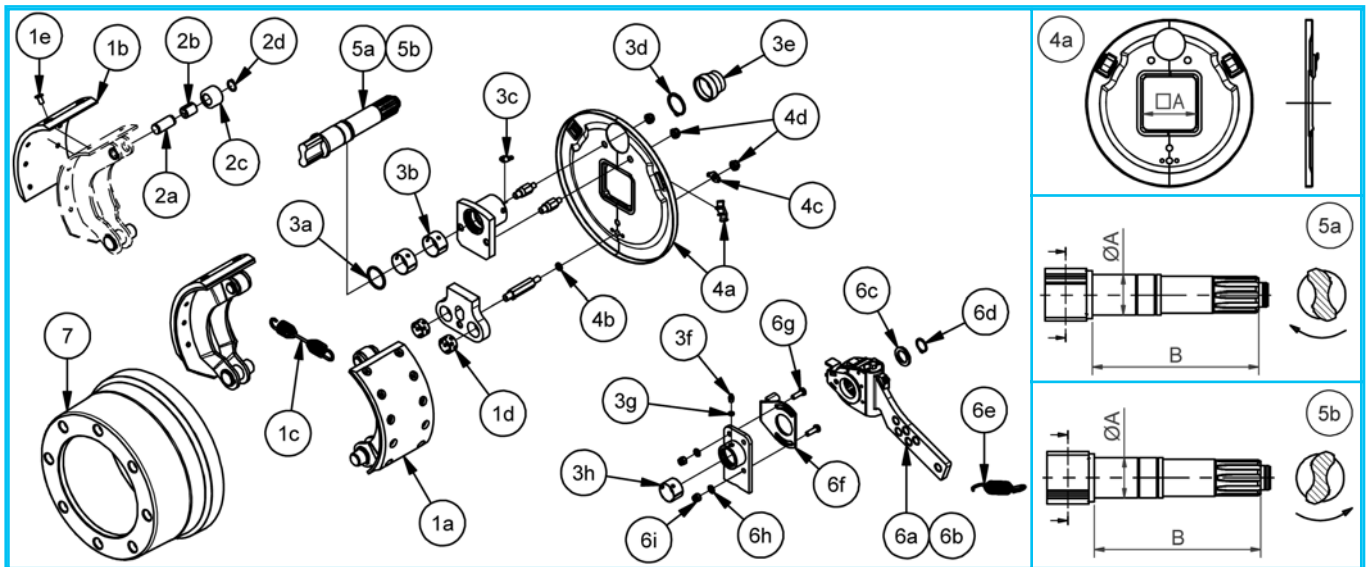


Item	Description	Code	A	B	C	Qty.	Kit code
1a	Brake shoe complete	732KF01	-	-	-	2	
1c	Spring Ø4,0 L168	738116	-	-	-	1	9RE0027
1d	Bush Ø30/32 L18	771301901	-	-	-	2	
1b	Brake lining	734KF01	-	-	-	2	
1c	Spring Ø4,0 L168	738116	-	-	-	1	9RH0007
1e	Rivet	96701	-	-	-	22	
2a	Pin Ø20 L47	83302002	-	-	-	2	
2b	Bush Ø20	771202601	-	-	-	2	9RE0068
2c	Roll Ø38	737JB01	-	-	-	2	
2d	Retaining ring Ø20	58501	-	-	-	4	
3a	O-ring W3,53 Ø41,28	53104101	-	-	-	2	
3b	Camshaft bush Ø42	771422601	-	-	-	4	
3c	Grease nipple M8X1,25	98608A2	-	-	-	2	
3d	Retaining ring Ø42	58514	-	-	-	2	9RL0010
3e	Rubber cover	53A03	-	-	-	2	
3f	Grease nipple M8X1,25	98608A1	-	-	-	2	
3g	Washer Ø8	9810081	-	-	-	4	
3h	Camshaft bush Ø38	771382601	-	-	-	2	
4a	Protection plate with rubber caps	743JB7012	70	-	-	1	
4b	Washer Ø10	9811001	-	-	-	1	9RM0004
4c	Lock washer Ø10	57B1001	-	-	-	1	
4d	Nut M10X1,5	97510B1	-	-	-	3	
4a	Protection plate with rubber caps	743JB8012	80	-	-	1	
4b	Washer Ø10	9811001	-	-	-	1	9RM0004-80
4c	Lock washer Ø10	57B1001	-	-	-	1	
4d	Nut M10X1,5	97510B1	-	-	-	3	
4a	Protection plate with rubber caps	743JB9012	90	-	-	1	
4b	Washer Ø10	9811001	-	-	-	1	9RM0004-90
4c	Lock washer Ø10	57B1001	-	-	-	1	
4d	Nut M10X1,5	97510B1	-	-	-	3	

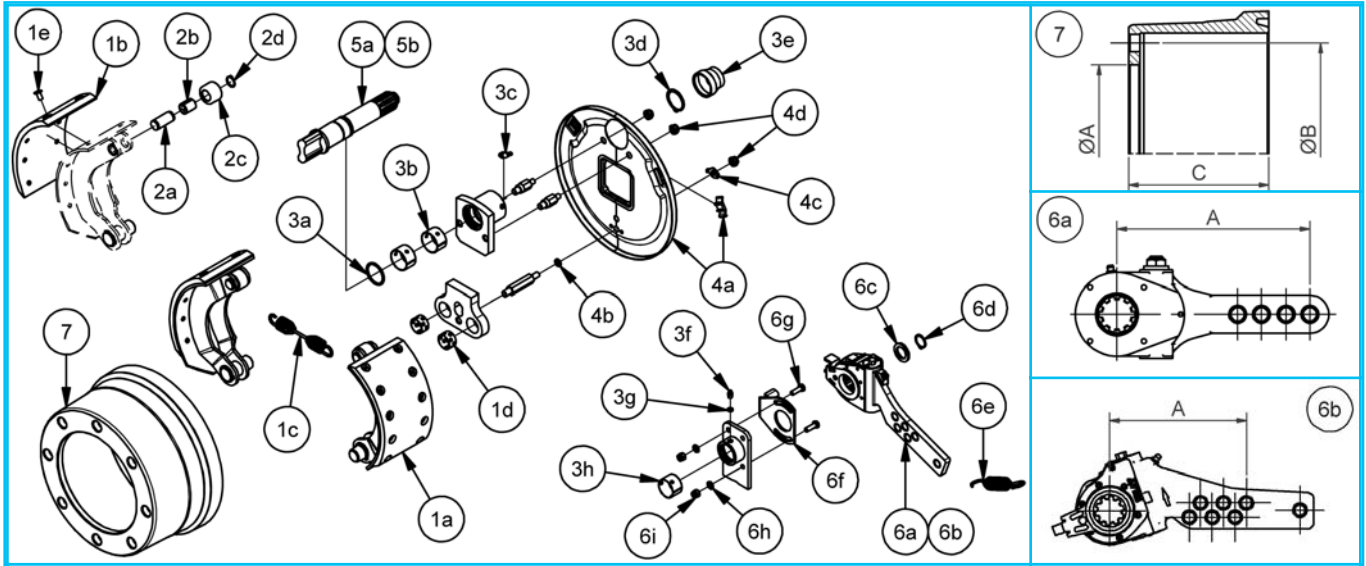


Item	Description	Code	A	B	C	Qty.	Kit code
4a	Protection plate with rubber caps	743JBA012	100	-	-	1	9RM0004-100
4b	Washer Ø10	9811001	-	-	-	1	
4c	Lock washer Ø10	57B1001	-	-	-	1	
4d	Nut M10X1,5	97510B1	-	-	-	3	
4a	Protection plate with rubber caps	743JBA112	110	-	-	1	9RM0004-110
4b	Washer Ø10	9811001	-	-	-	1	
4c	Lock washer Ø10	57B1001	-	-	-	1	
4d	Nut M10X1,5	97510B1	-	-	-	3	
5a	Right camshaft	75C4062...	42	(1) ≤300	-	1	75C4062...
	Right camshaft	75C4063...	42	(1) >300	-	1	75C4063...
5b	Left camshaft	75D4062...	42	(1) ≤300	-	1	75D4062...
	Left camshaft	75D4063...	42	(1) >300	-	1	75D4063...
6a	Slack adjuster	7621603	203	-	-	1	9RR0010
6c	Washer Ø26	9812601	-	-	-	1	
6d	Retaining ring Ø25	58508	-	-	-	1	
6e	Spring Ø3,5 L173	738201	-	-	-	1	
6b	Automatic slack adjuster	7631606	180	-	-	1	9RS0016
6c	Washer Ø26	9812601	-	-	-	1	
6d	Retaining ring Ø25	58508	-	-	-	1	
6e	Spring Ø2,8 L145	738203	-	-	-	1	
6f	Setting plate	76A16	-	-	-	1	
6g	Screw M8X1,25 L25	96108A0251	-	-	-	2	
6h	Washer Ø8	9810081	-	-	-	2	
6i	Nut M8X1,25	97408A1	-	-	-	2	
7	Drum 6 holes for M18X1,5	66LKB0601	160	205	176	1	66LKB0601
	Drum 8 holes for M20X1,5	66LKB0802	220	275	175	1	66LKB0802
	Drum 10 holes for M22X1,5	66LKB1R01	185	225	176	1	66LKB1R01

(1) - From 175mm to 300mm step 25mm. From 300mm to 1200mm step 50mm.

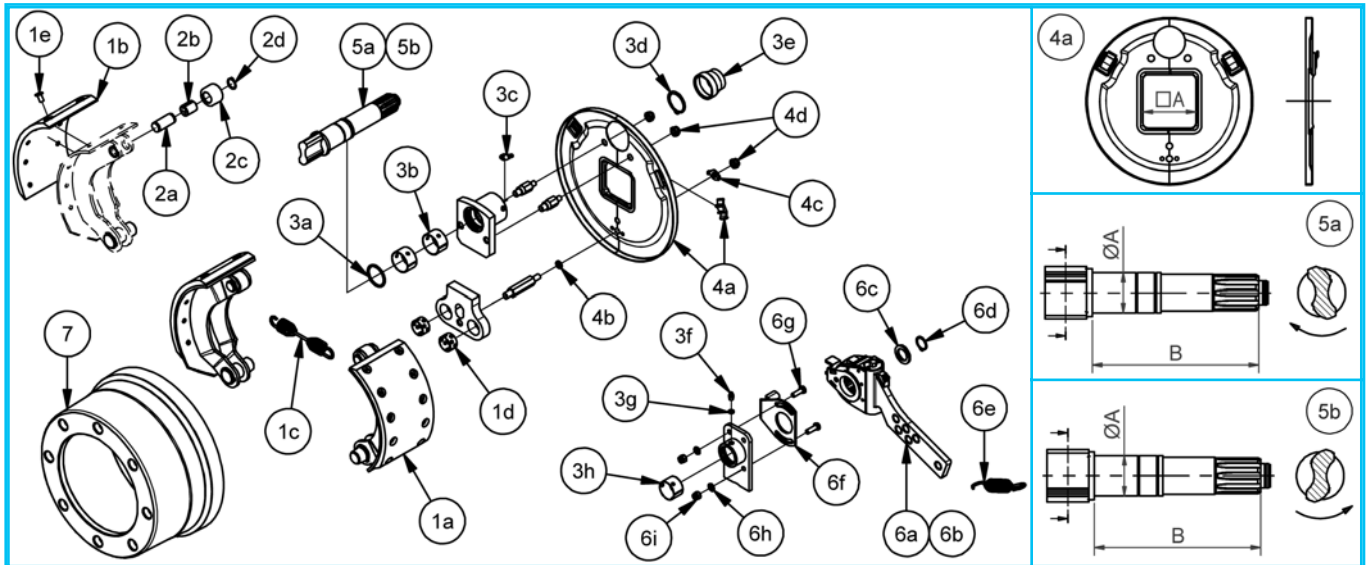


Item	Description	Code	A	B	C	Qty.	Kit code
1a	Brake shoe complete	732PA01	-	-	-	2	9RE0028
1c	Spring Ø4,0 L168	738116	-	-	-	1	
1d	Bush Ø30/32 L18	771301901	-	-	-	2	
1b	Brake lining	734PA01	-	-	-	2	9RH0008
1c	Spring Ø4,0 L168	738116	-	-	-	1	
1e	Rivet	96701	-	-	-	26	9RE0068
2a	Pin Ø20 L47	83302002	-	-	-	2	
2b	Bush Ø20	771202601	-	-	-	2	
2c	Roll Ø38	737JB01	-	-	-	2	
2d	Retaining ring Ø20	58501	-	-	-	4	9RL0010
3a	O-ring W3,53 Ø41,28	53104101	-	-	-	2	
3b	Camshaft bush Ø42	771422601	-	-	-	4	
3c	Grease nipple M8X1,25	98608A2	-	-	-	2	
3d	Retaining ring Ø42	58514	-	-	-	2	
3e	Rubber cover	53A03	-	-	-	2	
3f	Grease nipple M8X1,25	98608A1	-	-	-	2	
3g	Washer Ø8	9810081	-	-	-	4	9RM0005-80
3h	Camshaft bush Ø38	771382601	-	-	-	2	
4a	Protection plate with rubber caps	743PA8011	80	-	-	1	
4b	Washer Ø10	9811001	-	-	-	1	
4c	Lock washer Ø10	57B1001	-	-	-	1	9RM0005-90
4d	Nut M10X1,5	97510B1	-	-	-	3	
4a	Protection plate with rubber caps	743PA9011	90	-	-	1	
4b	Washer Ø10	9811001	-	-	-	1	
4c	Lock washer Ø10	57B1001	-	-	-	1	9RM0005-100
4d	Nut M10X1,5	97510B1	-	-	-	3	
4a	Protection plate with rubber caps	743PAA011	100	-	-	1	
4b	Washer Ø10	9811001	-	-	-	1	
4c	Lock washer Ø10	57B1001	-	-	-	1	9RM0005-100
4d	Nut M10X1,5	97510B1	-	-	-	3	

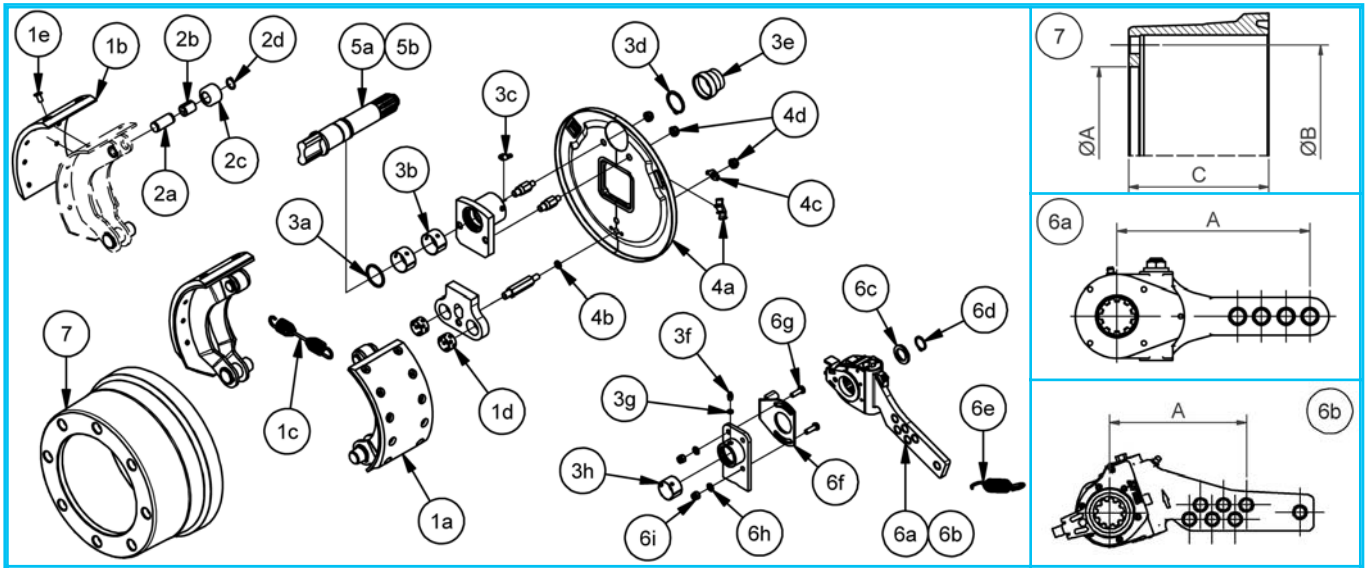


Item	Description	Code	A	B	C	Qty.	Kit code
4a	Protection plate with rubber caps	743PAA111	110	-	-	1	9RM0005-110
4b	Washer Ø10	9811001	-	-	-	1	
4c	Lock washer Ø10	57B1001	-	-	-	1	
4d	Nut M10X1,5	97510B1	-	-	-	3	
4a	Protection plate with rubber caps	743PAA211	120	-	-	1	9RM0005-120
4b	Washer Ø10	9811001	-	-	-	1	
4c	Lock washer Ø10	57B1001	-	-	-	1	
4d	Nut M10X1,5	97510B1	-	-	-	3	
5a	Right camshaft	75C4062...	42	(1) ≤300	-	1	75C4062...
	Right camshaft	75C4063...	42	(1) >300	-	1	75C4063...
5b	Left camshaft	75D4062...	42	(1) ≤300	-	1	75D4062...
	Left camshaft	75D4063...	42	(1) >300	-	1	75D4063...
6a	Slack adjuster	7621603	203	-	-	1	9RR0010
6c	Washer Ø26	9812601	-	-	-	1	
6d	Retaining ring Ø25	58508	-	-	-	1	
6e	Spring Ø3,5 L173	738201	-	-	-	1	
6b	Automatic slack adjuster	7631606	180	-	-	1	9RS0016
6c	Washer Ø26	9812601	-	-	-	1	
6d	Retaining ring Ø25	58508	-	-	-	1	
6e	Spring Ø2,8 L145	738203	-	-	-	1	
6f	Setting plate	76A16	-	-	-	1	
6g	Screw M8X1,25 L25	96108A0251	-	-	-	2	
6h	Washer Ø8	9810081	-	-	-	2	
6i	Nut M8X1,25	97408A1	-	-	-	2	
7	Drum 8 holes for M20X1,5	66LPA0801	220	275	203	1	66LPA0801
	Drum 10 holes for M22X1,5	66LPA1R01	185	225	203	1	66LPA1R01

(1) - From 175mm to 300mm step 25mm. From 300mm to 1200mm step 50mm.

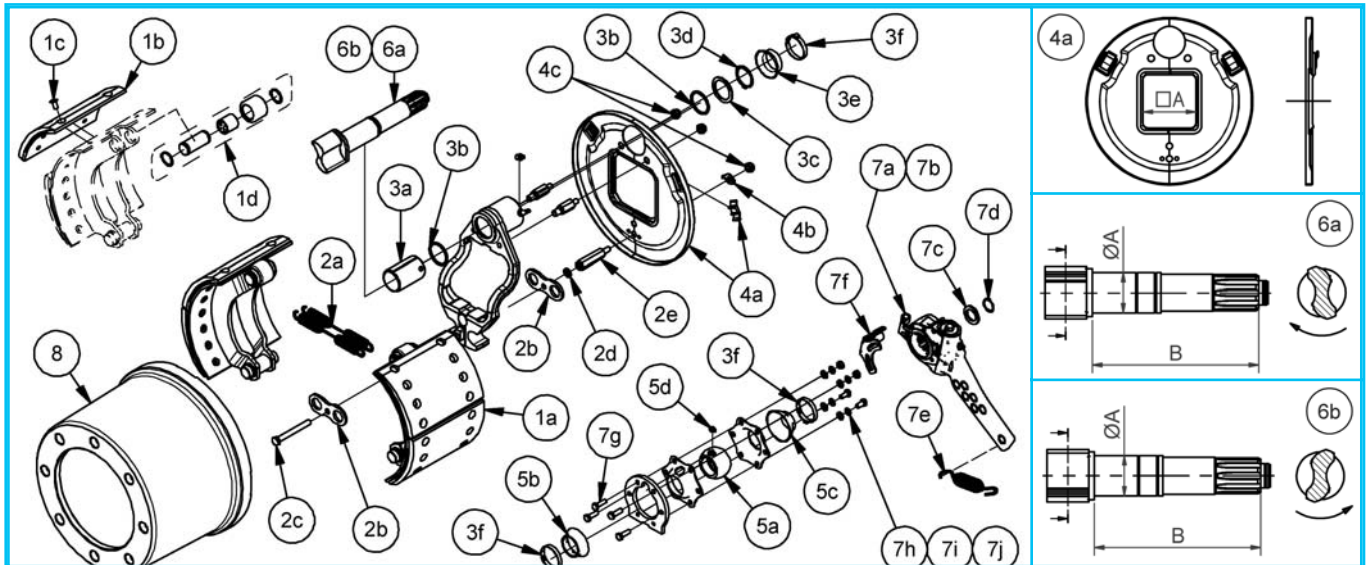


Item	Description	Code	A	B	C	Qty.	Kit code
1a	Brake shoe complete	732PE01	-	-	-	2	9RE0029
1c	Spring Ø4,0 L168	738116	-	-	-	1	
1d	Bush Ø30/32 L18	771301901	-	-	-	2	
1b	Brake lining	734PE02	-	-	-	2	9RH0009
1c	Spring Ø4,0 L168	738116	-	-	-	1	
1e	Rivet	96701	-	-	-	26	9RE0068
2a	Pin Ø20 L47	83302002	-	-	-	2	
2b	Bush Ø20	771202601	-	-	-	2	
2c	Roll Ø38	737JB01	-	-	-	2	
2d	Retaining ring Ø20	58501	-	-	-	4	9RL0010
3a	O-ring W3,53 Ø41,28	53104101	-	-	-	2	
3b	Camshaft bush Ø42	771422601	-	-	-	4	
3c	Grease nipple M8X1,25	98608A2	-	-	-	2	
3d	Retaining ring Ø42	58514	-	-	-	2	
3e	Rubber cover	53A03	-	-	-	2	
3f	Grease nipple M8X1,25	98608A1	-	-	-	2	
3g	Washer Ø8	9810081	-	-	-	4	9RM0005-80
3h	Camshaft bush Ø38	771382601	-	-	-	2	
4a	Protection plate with rubber caps	743PA8011	80	-	-	1	
4b	Washer Ø10	9811001	-	-	-	1	
4c	Lock washer Ø10	57B1001	-	-	-	1	9RM0005-90
4d	Nut M10X1,5	97510B1	-	-	-	3	
4a	Protection plate with rubber caps	743PA9011	90	-	-	1	
4b	Washer Ø10	9811001	-	-	-	1	
4c	Lock washer Ø10	57B1001	-	-	-	1	9RM0005-100
4d	Nut M10X1,5	97510B1	-	-	-	3	
4a	Protection plate with rubber caps	743PAA011	100	-	-	1	
4b	Washer Ø10	9811001	-	-	-	1	
4c	Lock washer Ø10	57B1001	-	-	-	1	9RM0005-100
4d	Nut M10X1,5	97510B1	-	-	-	3	

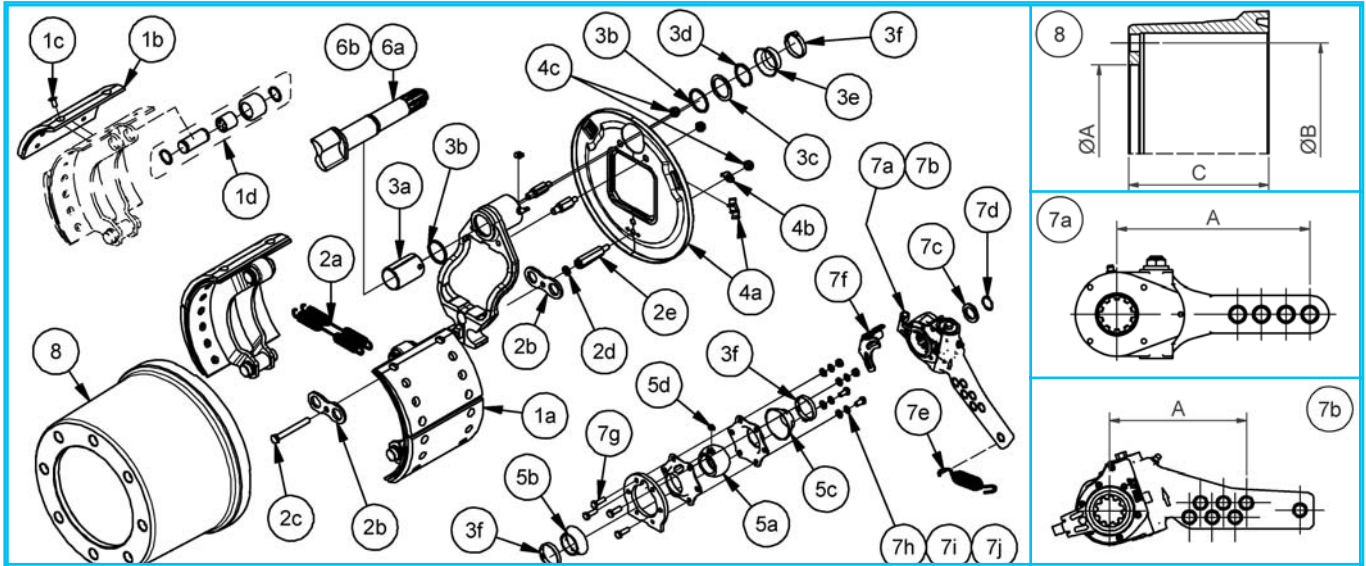


Item	Description	Code	A	B	C	Qty.	Kit code
4a	Protection plate with rubber caps	743PAA111	110	-	-	1	9RM0005-110
4b	Washer Ø10	9811001	-	-	-	1	
4c	Lock washer Ø10	57B1001	-	-	-	1	
4d	Nut M10X1,5	97510B1	-	-	-	3	
4a	Protection plate with rubber caps	743PAA211	120	-	-	1	9RM0005-120
4b	Washer Ø10	9811001	-	-	-	1	
4c	Lock washer Ø10	57B1001	-	-	-	1	
4d	Nut M10X1,5	97510B1	-	-	-	3	
5a	Right camshaft	75C4062...	42	(1) ≤300	-	1	75C4062...
	Right camshaft	75C4063...	42	(1) >300	-	1	75C4063...
5b	Left camshaft	75D4062...	42	(1) ≤300	-	1	75D4062...
	Left camshaft	75D4063...	42	(1) >300	-	1	75D4063...
6a	Slack adjuster	7621603	203	-	-	1	9RR0010
6c	Washer Ø26	9812601	-	-	-	1	
6d	Retaining ring Ø25	58508	-	-	-	1	
6e	Spring Ø3,5 L173	738201	-	-	-	1	
6b	Automatic slack adjuster	7631606	180	-	-	1	9RS0016
6c	Washer Ø26	9812601	-	-	-	1	
6d	Retaining ring Ø25	58508	-	-	-	1	
6e	Spring Ø2,8 L145	738203	-	-	-	1	
6f	Setting plate	76A16	-	-	-	1	
6g	Screw M8X1,25 L25	96108A0251	-	-	-	2	
6h	Washer Ø8	9810081	-	-	-	2	
6i	Nut M8X1,25	97408A1	-	-	-	2	
7	Drum 8 holes for M20X1,5	66LPA0801	220	275	203	1	66LPA0801
	Drum 10 holes for M22X1,5	66LPA1R01	185	225	203	1	66LPA1R01

(1) - From 175mm to 300mm step 25mm. From 300mm to 1200mm step 50mm.

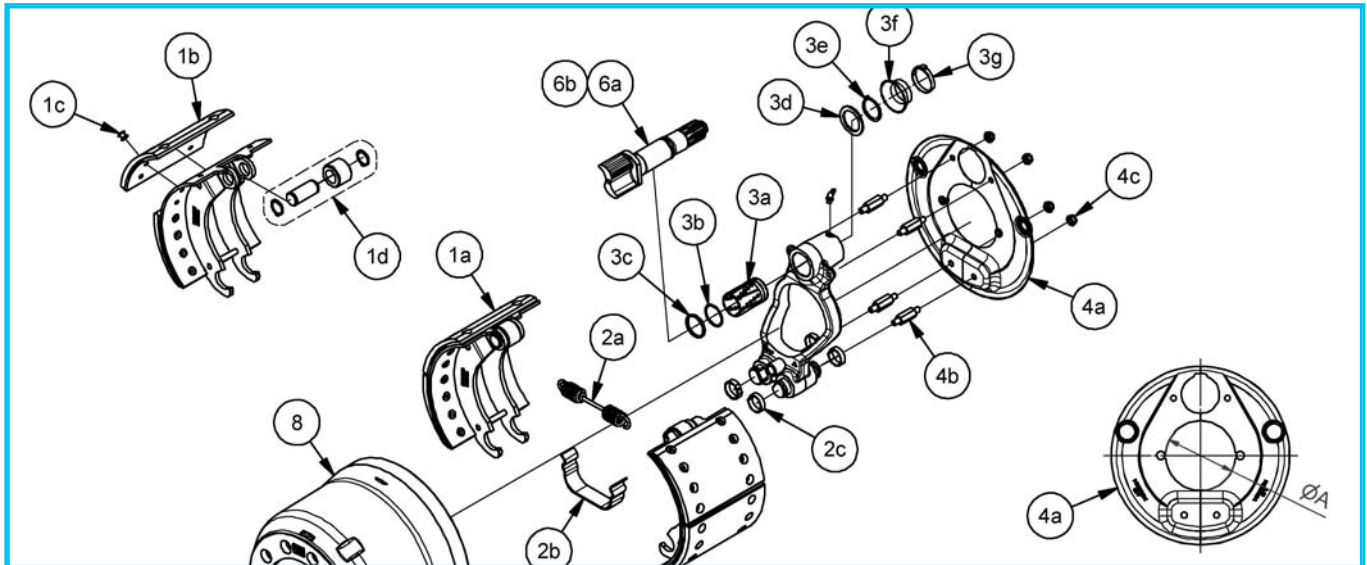


Item	Description	Code	A	B	C	Qty.	Kit code
1a	Brake shoe complete	732MC01	-	-	-	2	9RE0112
2a	Spring Ø3,5 L170	738125	-	-	-	2	
2b	Plate	73EMA01	-	-	-	2	
2c	Screw M10X1,5 L90	96110B0901	-	-	-	1	
2d	Washer Ø10	9830101	-	-	-	1	
2e	Spacer M8X1,5 L85	57710B1	-	-	-	1	9RH0026
1b	Brake lining	734MA01	-	-	-	4	
2a	Spring Ø3,5 L170	738125	-	-	-	2	
1c	Rivet	96701	-	-	-	32	9RK0010
2a	Spring Ø3,5 L170	738125	-	-	-	2	9RE0114
1d	Roll Ø41	73BMC01	-	-	-	2	9RL0022
3a	Camshaft bush Ø42	771427201	-	-	-	1	
3b	O-ring W3,53 Ø42,86	53104201	-	-	-	2	
3c	Washer Ø42	9814201	-	-	-	1	
3d	Retaining ring Ø42	58514	-	-	-	1	
3e	Rubber cover	56A08	-	-	-	1	
3f	Clamp	98E01	-	-	-	1	9RM0016
4a	Protection plate with rubber caps	743MAA212	120	-	-	1	
4b	Lock washer Ø10	57B1001	-	-	-	1	
4c	Nut M10X1,5	97510B1	-	-	-	3	9RM0018
4a	Protection plate with rubber caps	743MAR221	Ø127	-	-	1	
4b	Lock washer Ø10	57B1001	-	-	-	1	
4c	Nut M10X1,5	97510B1	-	-	-	3	

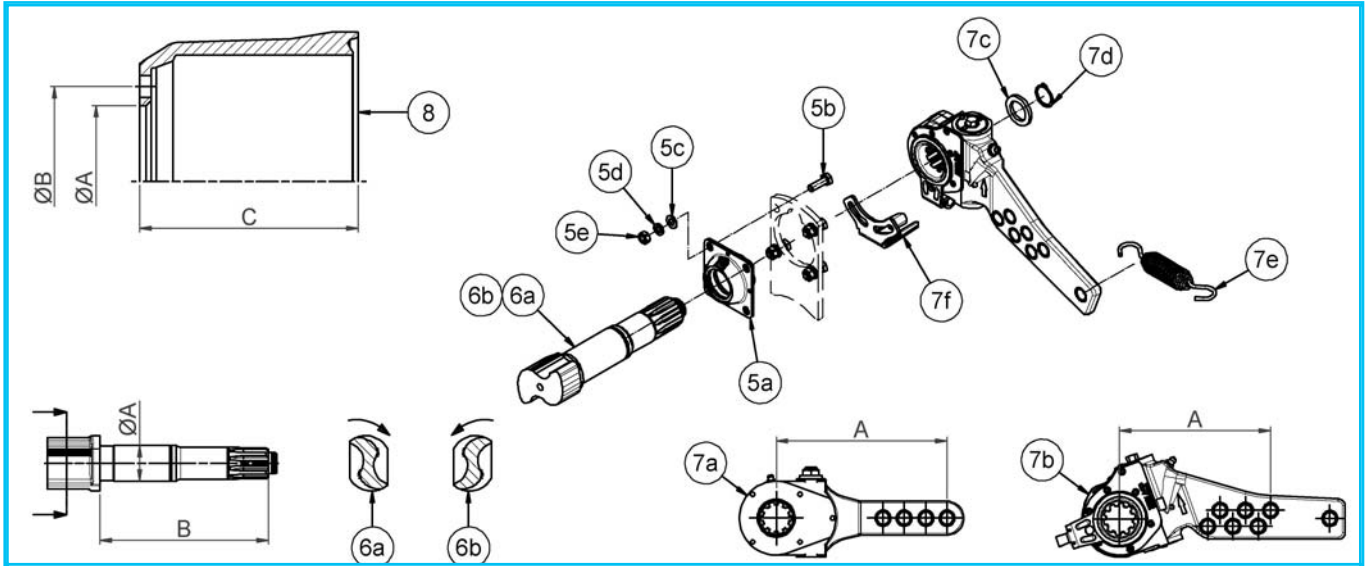


Item	Description	Code	A	B	C	Qty.	Kit code
5a	Bush Ø39	772007	-	-	-	1	9RL0024
5b	Rubber cover	56A08	-	-	-	1	
5c	Rubber cover	56A09	-	-	-	1	
5d	Grease nipple M8X1,25	98608A1	-	-	-	1	
3f	Clamp	98E01	-	-	-	2	
6a	Right camshaft	7514062...	42	(1) ≤300	-	1	7514062...
	Right camshaft	7514063...	42	(1) >300	-	1	7514063...
6b	Left camshaft	75L4062...	42	(1) ≤300	-	1	75L4062...
	Left camshaft	75L4063...	42	(1) >300	-	1	75L4063...
7a	Slack adjuster	7621603	203	-	-	1	9RR0010
7c	Washer Ø26	9812601	-	-	-	1	
7d	Retaining ring Ø25	58508	-	-	-	1	
7e	Spring Ø3,5 L173	738201	-	-	-	1	
7b	Automatic slack adjuster	7631606	180	-	-	1	9RS0018
7c	Washer Ø26	9812601	-	-	-	1	
7d	Retaining ring Ø25	58508	-	-	-	1	
7e	Spring Ø2,8 L145	738203	-	-	-	1	
7f	Setting plate	76A12	-	-	-	1	
7g	Screw M8x1,25 L25	96108A0251	-	-	-	2	
7h	Washer Ø8	9810081	-	-	-	2	
7i	Elastic washer Ø8	9830081	-	-	-	2	
7j	Nut M8X1,25	97108A1	-	-	-	2	
8	Drum 8 holes for M20X1,5	66LMA0801	220	275	260	1	66LMA0801
	Drum 10 holes for M22X1,5	66LMA1R01	185	225	260	1	66LMA1R01

(1) - From 200mm to 300mm step 25mm. From 300mm to 1200mm step 50mm.

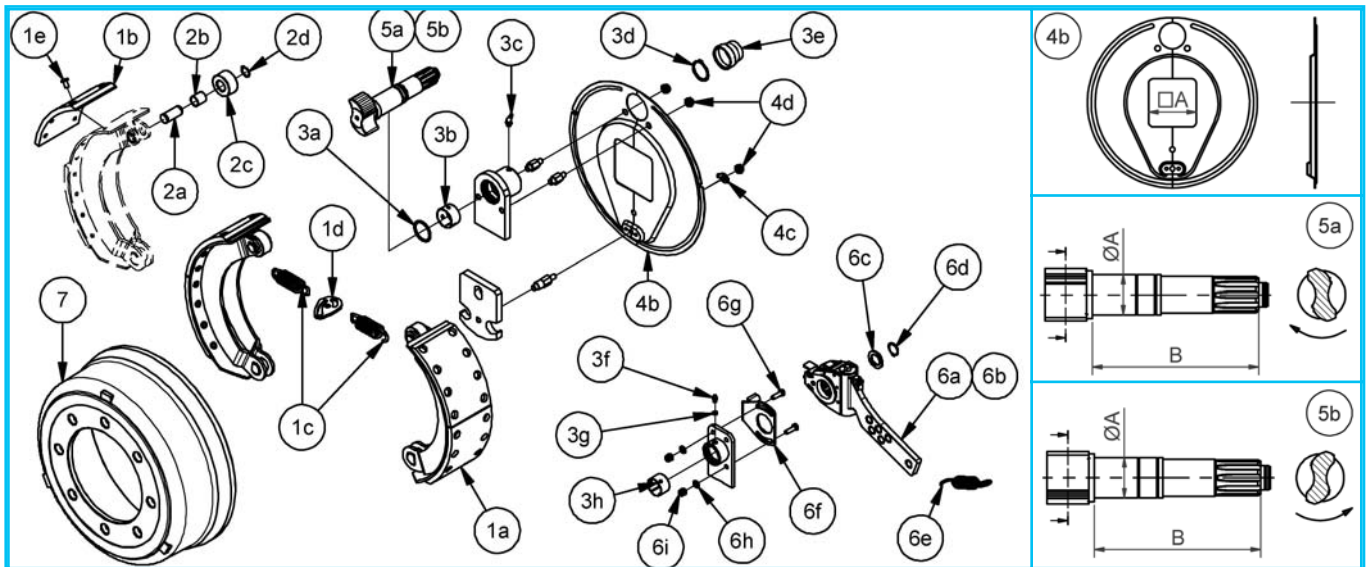


Item	Description	Code	A	B	C	Qty.	Kit code
1a	Brake shoe complete	732MM01	-	-	-	2	9RE0130
2a	Spring Ø5 L177	738139	-	-	-	1	
2b	Spring	738140	-	-	-	1	
2c	Bush Ø31,5/35,5 L9,7	771027	-	-	-	4	
1b	Brake lining	734MM01	-	-	-	4	9RH0050
2a	Spring Ø5 L177	738139	-	-	-	1	
2b	Spring	738140	-	-	-	1	
1c	Rivet	96708	-	-	-	34	
2a	Spring Ø5 L177	738139	-	-	-	1	9RK0026
2b	Spring	738140	-	-	-	1	
1d	Roll Ø45	73BMM01	-	-	-	2	9RE0132
3a	Camshaft bush Ø42	771028	-	-	-	1	9RL0036
3b	O-ring W2,5 Ø40	53104003	-	-	-	1	
3c	Bush Ø42/46 L4	772027	-	-	-	1	
3d	Washer Ø42	73G01	-	-	-	1	
3e	Retaining ring Ø42	58514	-	-	-	1	
3f	Rubber cover	53A13	-	-	-	1	
3g	Clamp	98E01	-	-	-	1	
4a	Protection plate with rubber caps	743MMR221	Ø127	-	-	1	9RM0020
4b	Spacer L66	57710B19	-	-	-	4	
4c	Nut M10x1,5	97510B1	-	-	-	4	

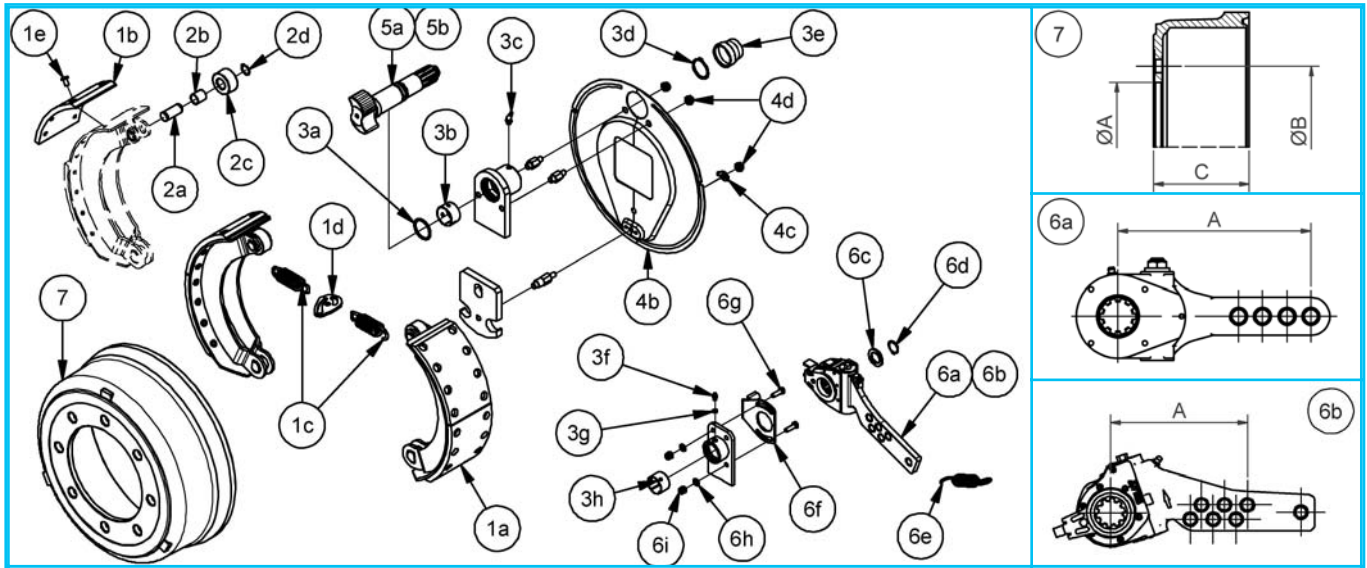


Item	Description	Code	A	B	C	Qty.	Kit code
5a	Camshaft bush assembled	74417U01	-	-	-	1	9RL010
5b	Screw M8X1,25 L25	96108A0251	-	-	-	4	
5c	Washer Ø8	9810081	-	-	-	4	
5d	Elastic washer Ø8	9830081	-	-	-	4	
5e	Nut M8X1,25	97108A1	-	-	-	4	
6a	Right camshaft	75J4062...	42	(1) <=300	-	1	75J4062...
	Right camshaft	75J4063...	42	(1) >300	-	1	75J4063...
6b	Left camshaft	75K4062...	42	(1) <=300	-	1	75K4062...
	Left camshaft	75K4063...	42	(1) >300	-	1	75K4063...
7a	Slack adjuster	7621603	203	-	-	1	9RR0010
7c	Washer Ø26	9812601	-	-	-	1	
7d	Retaining ring Ø25	58508	-	-	-	1	
7e	Spring Ø3,5 L173	738201	-	-	-	1	
7b	Automatic slack adjuster	7631606	180	-	-	1	9RS0018
7c	Washer Ø26	9812601	-	-	-	1	
7d	Retaining ring Ø25	58508	-	-	-	1	
7e	Spring Ø2,8 L145	738203	-	-	-	1	
7f	Setting plate	76A12	-	-	-	1	
5b	Screw M8X1,25 L25	96108A0251	-	-	-	2	
5c	Washer Ø8	9810081	-	-	-	2	
5d	Elastic washer Ø8	9830081	-	-	-	2	
5e	Nut M8X1,25	97108A1	-	-	-	2	
8	Drum 10 holes for M22X1,5	66LMM1R01	180	225	253	1	66LMM1R01

(1) - From 200mm to 300mm step 25mm. From 300mm to 1200mm step 50mm.

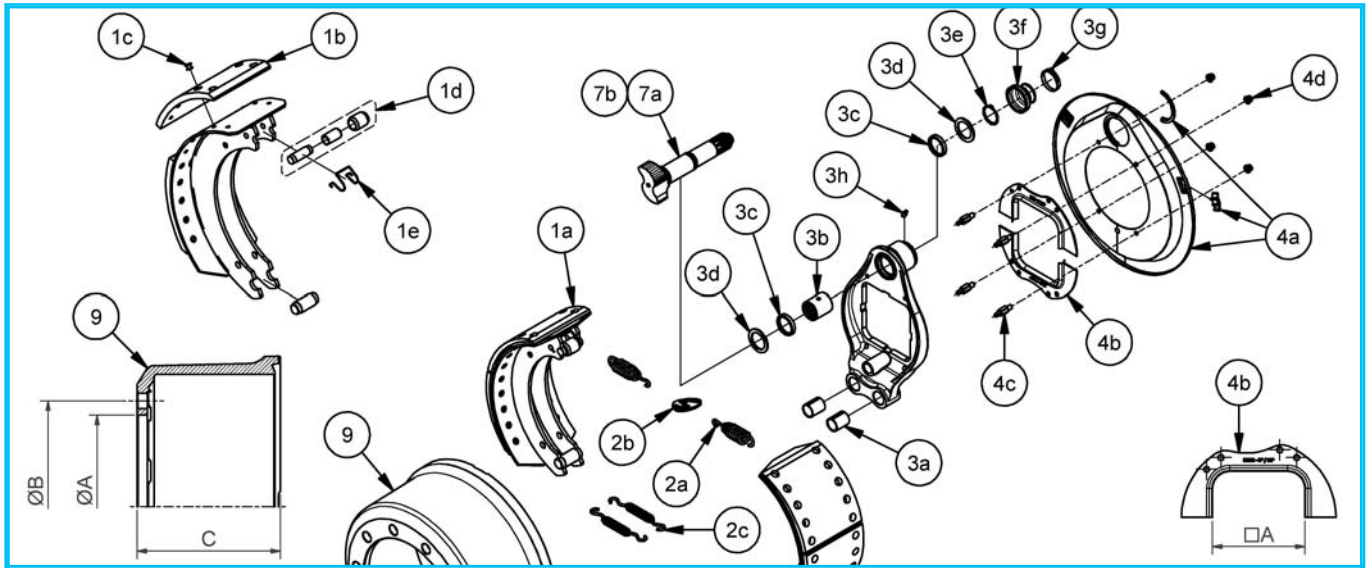


Item	Description	Code	A	B	C	Qty.	Kit code
1a	Brake shoe complete	732VA01	-	-	-	2	
1c	Spring Ø5,0 L100	738119	-	-	-	2	9RE0030
1d	Twist lock	736WA01	-	-	-	1	
1b	Brake lining	734VA01	-	-	-	4	
1c	Spring Ø5,0 L100	738119	-	-	-	2	9RH0010
1d	Twist lock	736WA01	-	-	-	1	
1e	Rivet	96701	-	-	-	34	
1c	Spring Ø5,0 L100	738119	-	-	-	4	9RK0007
1d	Twist lock	736WA01	-	-	-	2	
2a	Pin Ø20 L47	83302002	-	-	-	2	
2b	Bush Ø20	771202601	-	-	-	2	9RE0070
2c	Roll Ø50	737VA01	-	-	-	2	
2d	Retaining ring Ø20	58501	-	-	-	4	
3a	O-ring W3,53 Ø41,28	53104101	-	-	-	2	
3b	Camshaft bush Ø42	771422601	-	-	-	4	
3c	Grease nipple M8X1,25	98608A2	-	-	-	2	
3d	Retaining ring Ø42	58514	-	-	-	2	9RL0010
3e	Rubber cover	53A03	-	-	-	2	
3f	Grease nipple M8X1,25	98608A1	-	-	-	2	
3g	Washer Ø8	9810081	-	-	-	4	
3h	Camshaft bush Ø38	771382601	-	-	-	2	
4b	Protection plate	743VA9011	90	-	-	1	9RM003
4c	Lock washer Ø10	57B1001	-	-	-	1	
4d	Nut M10X1,5	97510B1	-	-	-	4	
4b	Protection plate	743VAA011	100	-	-	1	9RM004
4c	Lock washer Ø10	57B1001	-	-	-	1	
4d	Nut M10X1,5	97510B1	-	-	-	4	
4b	Protection plate	743VAA111	110	-	-	1	9RM005
4c	Lock washer Ø10	57B1001	-	-	-	1	
4d	Nut M10X1,5	97510B1	-	-	-	4	

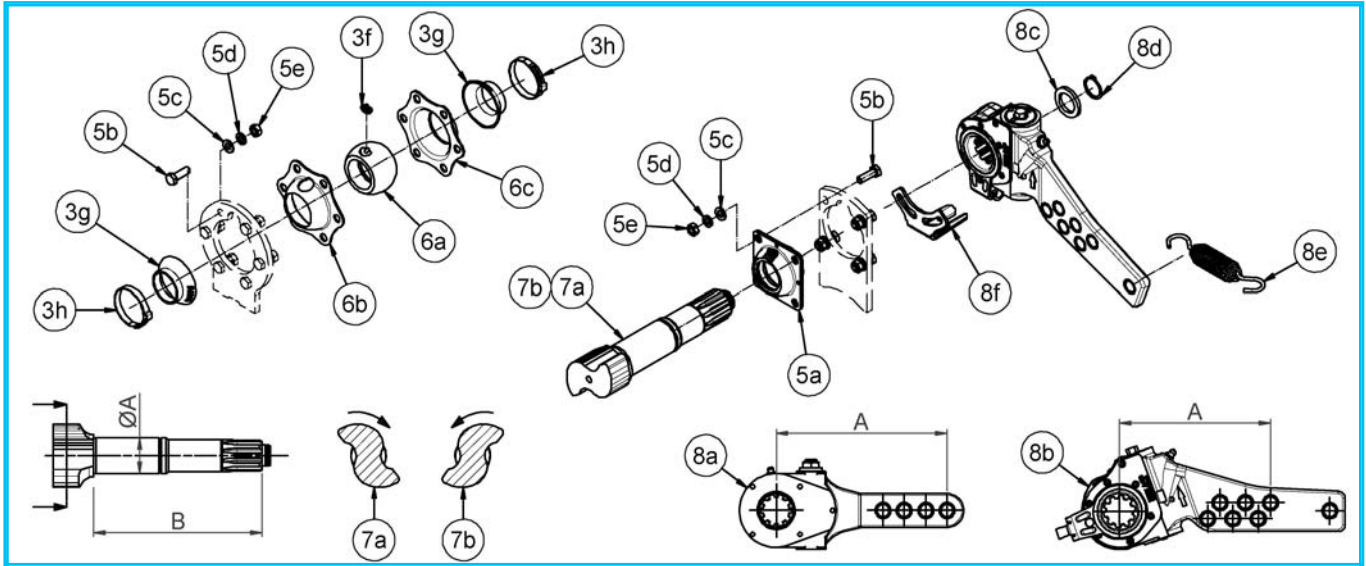


Item	Description	Code	A	B	C	Qty.	Kit code
4b	Protection plate	743VAA211	120	-	-	1	9RM006
4c	Lock washer Ø10	57B1001	-	-	-	1	
4d	Nut M10X1,5	97510B1	-	-	-	4	
4b	Protection plate	743VAA311	130	-	-	1	9RM007
4c	Lock washer Ø10	57B1001	-	-	-	1	
4d	Nut M10X1,5	97510B1	-	-	-	4	
4b	Protection plate	743VAA411	140	-	-	1	9RM008
4c	Lock washer Ø10	57B1001	-	-	-	1	
4d	Nut M10X1,5	97510B1	-	-	-	4	
4b	Protection plate	743VAA511	150	-	-	1	9RM009
4c	Lock washer Ø10	57B1001	-	-	-	1	
4d	Nut M10X1,5	97510B1	-	-	-	4	
5a	Right camshaft	7544062...	42	(1) ≤300	-	1	7544062...
	Right camshaft	7544063...	42	(1) >300	-	1	7544063...
5b	Left camshaft	7554062...	42	(1) ≤300	-	1	7554062...
	Left camshaft	7554063...	42	(1) >300	-	1	7554063...
6a	Slack adjuster	7621603	203	-	-	1	9RR0010
6c	Washer Ø26	9812601	-	-	-	1	
6d	Retaining ring Ø25	58508	-	-	-	1	
6e	Spring Ø3,5 L173	738201	-	-	-	1	
6b	Automatic slack adjuster	7631606	180	-	-	1	9RS0016
6c	Washer Ø26	9812601	-	-	-	1	
6d	Retaining ring Ø25	58508	-	-	-	1	
6e	Spring Ø2,8 L145	738203	-	-	-	1	
6f	Setting plate	76A16	-	-	-	1	
6g	Screw M8X1,25 L25	96108A0251	-	-	-	2	
6h	Washer Ø8	9810081	-	-	-	2	
6i	Nut M8X1,25	97408A1	-	-	-	2	
7	Drum 8 holes for M20X1,5	66LVA0801	220	275	162	1	66LVA0801
	Drum 10 holes for M22X1,5	66LVA1001	280	335	162	1	66LVA1001

(1) - From 175mm to 300mm step 25mm. From 300mm to 1200mm step 50mm.



Item	Description	Code	A	B	C	Qty.	Kit code
1a	Brake shoe complete	732VC03	-	-	-	2	9RE0092
2a	Spring Ø5,2 L106	738128	-	-	-	2	
2b	Twist lock	736XC02	-	-	-	1	
2c	Spring Ø3,0 L138	738129	-	-	-	2	
3a	Bush Ø28/32 L40	771008	-	-	-	2	
1b	Brake lining	734VC03	-	-	-	4	9RH0034
2a	Spring Ø5,2 L106	738128	-	-	-	2	
2b	Twist lock	736XC02	-	-	-	1	
2c	Spring Ø3,0 L138	738129	-	-	-	2	
1c	Rivet	96701	-	-	-	34	9RK0016
2a	Spring Ø5,2 L106	738128	-	-	-	4	
2b	Twist lock	736XC02	-	-	-	2	
2c	Spring Ø3,0 L138	738129	-	-	-	4	
1d	Roll Ø32	73BVC01	-	-	-	2	9RE0084
1e	Spring	738127	-	-	-	2	
3a	Bush Ø28/32 L40	771008	-	-	-	2	9RL0026
3b	Camshaft bush Ø42	771007	-	-	-	1	
3c	Seal Ø42	5490501	-	-	-	2	
3d	Washer Ø42	73G01	-	-	-	2	
3e	Retaining ring Ø42	58514	-	-	-	1	
3f	Rubber cover	53A11	-	-	-	1	
3g	Clamp	98E01	-	-	-	1	
3h	Grease nipple M8X1,25	98608A1	-	-	-	1	
4a	Protection plate with rubber caps	743WC0006	-	-	-	1	9RM061
4b	Square seal	7479012	90	-	-	2	
4c	Spacer L51	57708A1	-	-	-	4	
4d	Nut M8X1,25	97708A1	-	-	-	4	
4a	Protection plate with rubber caps	743WC0006	-	-	-	1	9RM062
4b	Square seal	747A012	100	-	-	2	
4c	Spacer L51	57708A1	-	-	-	4	
4d	Nut M8X1,25	97708A1	-	-	-	4	
4a	Protection plate with rubber caps	743WC0006	-	-	-	1	9RM038
4b	Square seal	747A112	110	-	-	2	
4c	Spacer L51	57708A1	-	-	-	4	
4d	Nut M8X1,25	97708A1	-	-	-	4	
4a	Protection plate with rubber caps	743WC0006	-	-	-	1	9RM040
4b	Square seal	747A242	120	-	-	2	
4c	Spacer L51	57708A1	-	-	-	4	
4d	Nut M8X1,25	97708A1	-	-	-	4	
4a	Protection plate with rubber caps	743WC0006	-	-	-	1	9RM042
4b	Square seal	747A342	130	-	-	2	
4c	Spacer L51	57708A1	-	-	-	4	
4d	Nut M8X1,25	97708A1	-	-	-	4	
4a	Protection plate with rubber caps	743WC0006	-	-	-	1	9RM044
4b	Square seal	747A542	150	-	-	2	
4c	Spacer L51	57708A1	-	-	-	4	
4d	Nut M8X1,25	97708A1	-	-	-	4	

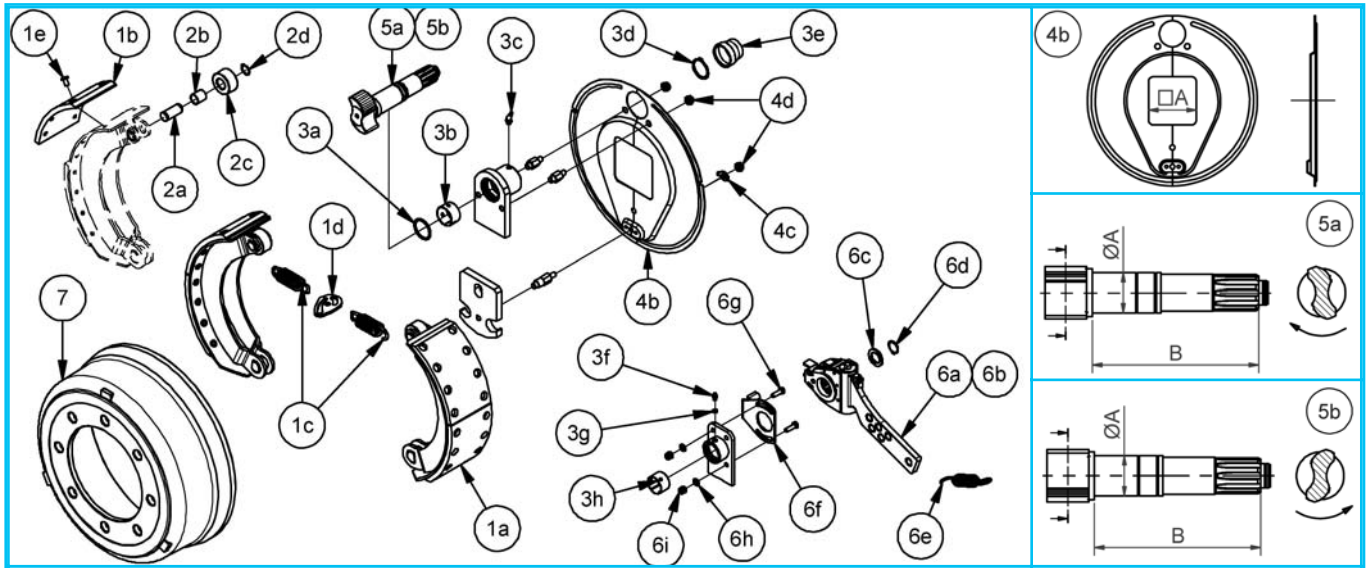


Item	Description	Code	A	B	C	Qty.	Kit code
4a + 4b	Protection plate with rubber caps	743WCB221	Ø127	-	-	1	(2) 9RM046
4c	Screw M10X1,5 L20 Spacer L74	96110B0201 57710B9	-	-	-	2 1	
4d	Spacer + Washer Ø10	5771002 + 9811001	-	-	-	2 + 2	
	Lock washer Ø10 Nut M10X1,5	57B1001 97510B1	-	-	-	1 1	
5a	Camshaft bush assembled	74417U01	-	-	-	1	9RL010
5b	Screw M8X1,25 L25	96108A0251	-	-	-	4	
5c	Washer Ø8	9810081	-	-	-	4	
5d	Elastic washer Ø8	9830081	-	-	-	4	
5e	Nut M8X1,25	97108A1	-	-	-	4	
6a	Camshaft bush Ø39	772007	-	-	-	1	(3) 9RL001
6b	Casing	7480401	-	-	-	1	
6c	Casing	7480402	-	-	-	1	
6d	Rubber cover	56A10	-	-	-	2	
3g	Clamp	98E01	-	-	-	2	
3h	Grease nipple M8X1,25	98608A1	-	-	-	1	
5b	Screw M8X1,25 L25	96108A0251	-	-	-	6	
5c	Washer Ø8	9810081	-	-	-	6	
5d	Elastic washer Ø8	9830081	-	-	-	6	
5e	Nut M8X1,25	97108A1	-	-	-	6	
7a	Right camshaft	75P4062...	42	(1) ≤300	-	1	75P4062...
	Right camshaft	75P4063...	42	(1) >300	-	1	75P4063...
7b	Left camshaft	75Q4062...	42	(1) ≤300	-	1	75Q4062...
	Left camshaft	75Q4063...	42	(1) >300	-	1	75Q4063...
8a	Slack adjuster	7621603	203	-	-	1	9RR0010
8c	Washer Ø26	9812601	-	-	-	1	
8d	Retaining ring Ø25	58508	-	-	-	1	
8e	Spring Ø3,5 L173	738201	-	-	-	1	
8b	Automatic slack adjuster	7631606	180	-	-	1	9RS0018
8c	Washer Ø26	9812601	-	-	-	1	
8d	Retaining ring Ø25	58508	-	-	-	1	
8e	Spring Ø2,8 L145	738203	-	-	-	1	
8f	Setting plate	76A12	-	-	-	1	
5b	Screw M8X1,25 L25	96108A0251	-	-	-	2	
5c	Washer Ø8	9810081	-	-	-	2	
5d	Elastic washer Ø8	9830081	-	-	-	2	
5e	Nut M8X1,25	97108A1	-	-	-	2	
9	Drum 10 holes for M22X1,5	66LVA1006	280	335	165	1	
	Drum 10 holes for M22X1,5	66LVA1008	290	335	165	1	66LVA1008

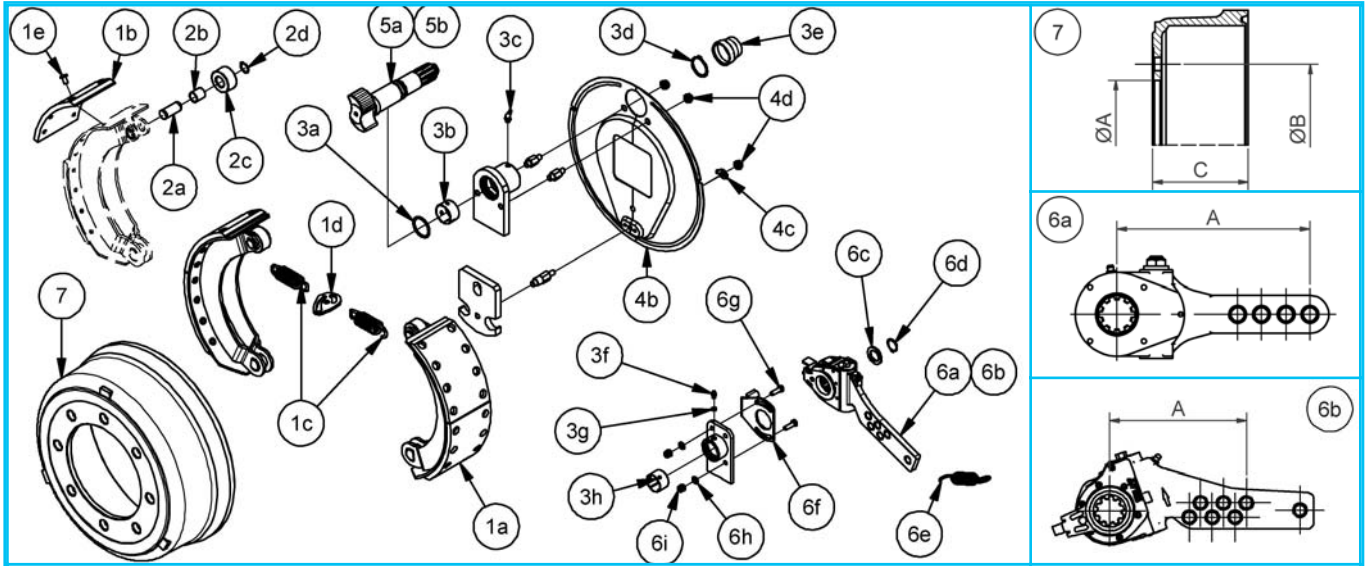
(1) - From 200mm to 300mm step 25mm. From 300mm to 1200mm step 50mm.

(2) - For axles produced from 2017.

(3) - For axles produced till 2013.

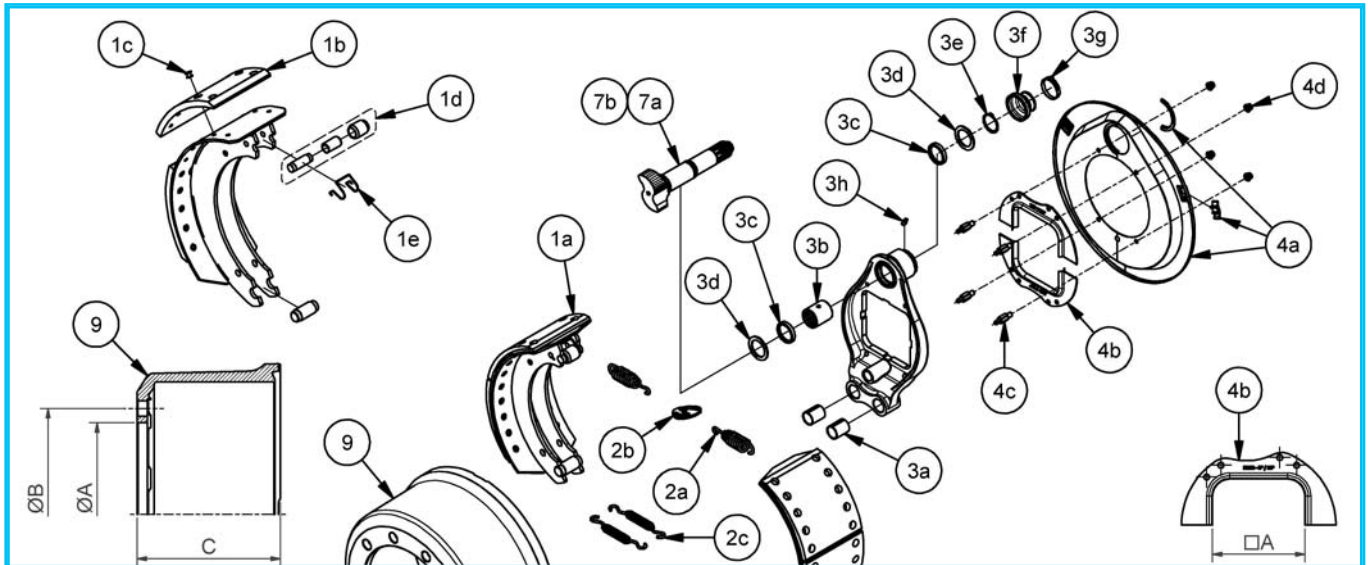


Item	Description	Code	A	B	C	Qty.	Kit code
1a	Brake shoe complete	732WA01	-	-	-	2	9RE0034
1c	Spring Ø5,0 L100	738119	-	-	-	2	
1d	Twist lock	736WA01	-	-	-	1	
1b	Brake lining	734WA01	-	-	-	4	9RH0014
1c	Spring Ø5,0 L100	738119	-	-	-	2	
1d	Twist lock	736WA01	-	-	-	1	
1e	Rivet	96701	-	-	-	34	9RK0007
1c	Spring Ø5,0 L100	738119	-	-	-	4	
1d	Twist lock	736WA01	-	-	-	2	
2a	Pin Ø20 L47	83302002	-	-	-	2	9RE0070
2b	Bush Ø20	771202601	-	-	-	2	
2c	Roll Ø50	737VA01	-	-	-	2	
2d	Retaining ring Ø20	58501	-	-	-	4	
3a	O-ring W3,53 Ø41,28	53104101	-	-	-	2	9RL0010
3b	Camshaft bush Ø42	771422601	-	-	-	4	
3c	Grease nipple M8X1,25	98608A2	-	-	-	2	
3d	Retaining ring Ø42	58514	-	-	-	2	
3e	Rubber cover	53A03	-	-	-	2	
3f	Grease nipple M8X1,25	98608A1	-	-	-	2	
3g	Washer Ø8	9810081	-	-	-	4	9RM003
3h	Camshaft bush Ø38	771382601	-	-	-	2	
4b	Protection plate	743VA9011	90	-	-	1	
4c	Lock washer Ø10	57B1001	-	-	-	1	
4d	Nut M10X1,5	97510B1	-	-	-	4	
4b	Protection plate	743VAA011	100	-	-	1	
4c	Lock washer Ø10	57B1001	-	-	-	1	
4d	Nut M10X1,5	97510B1	-	-	-	4	
4b	Protection plate	743VAA111	110	-	-	1	9RM005
4c	Lock washer Ø10	57B1001	-	-	-	1	
4d	Nut M10X1,5	97510B1	-	-	-	4	

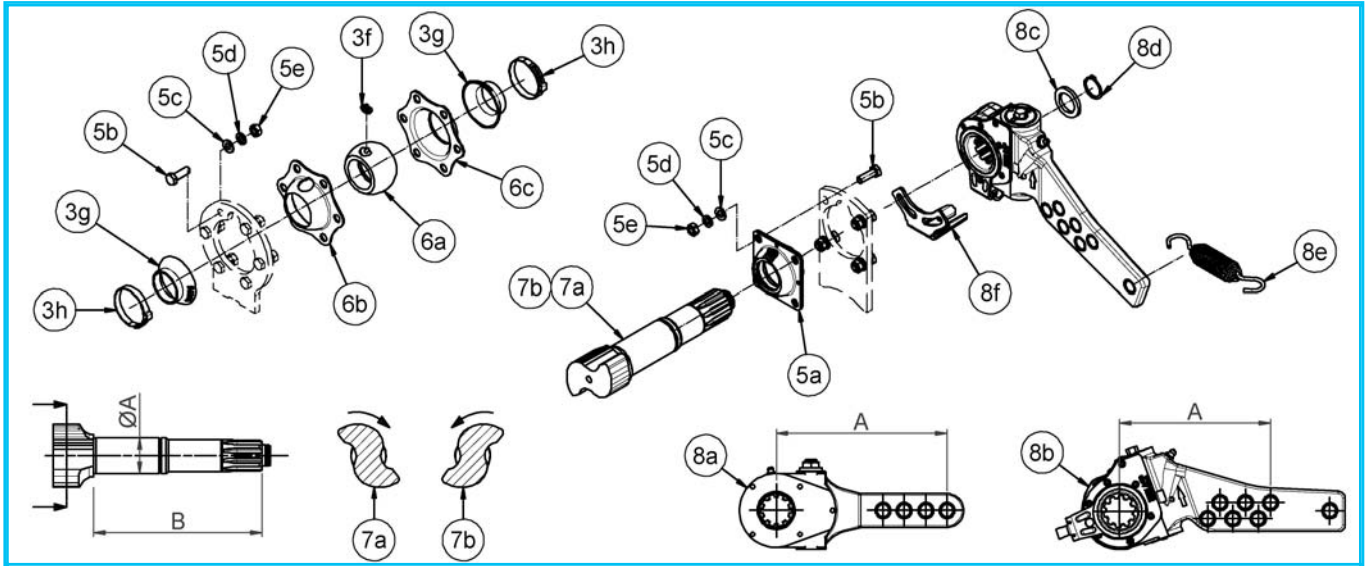


Item	Description	Code	A	B	C	Qty.	Kit code
4b	Protection plate	743VAA211	120	-	-	1	9RM006
4c	Lock washer Ø10	57B1001	-	-	-	1	
4d	Nut M10X1,5	97510B1	-	-	-	4	
4b	Protection plate	743VAA311	130	-	-	1	9RM007
4c	Lock washer Ø10	57B1001	-	-	-	1	
4d	Nut M10X1,5	97510B1	-	-	-	4	
4b	Protection plate	743VAA411	140	-	-	1	9RM008
4c	Lock washer Ø10	57B1001	-	-	-	1	
4d	Nut M10X1,5	97510B1	-	-	-	4	
4b	Protection plate	743VAA511	150	-	-	1	9RM009
4c	Lock washer Ø10	57B1001	-	-	-	1	
4d	Nut M10X1,5	97510B1	-	-	-	4	
5a	Right camshaft	7544062...	42	(1) ≤300	-	1	7544062...
	Right camshaft	7544063...	42	(1) >300	-	1	7544063...
5b	Left camshaft	7554062...	42	(1) ≤300	-	1	7554062...
	Left camshaft	7554063...	42	(1) >300	-	1	7554063...
6a	Slack adjuster	7621603	203	-	-	1	9RR0010
6c	Washer Ø26	9812601	-	-	-	1	
6d	Retaining ring Ø25	58508	-	-	-	1	
6e	Spring Ø3,5 L173	738201	-	-	-	1	
6b	Automatic slack adjuster	7631606	180	-	-	1	9RS0016
6c	Washer Ø26	9812601	-	-	-	1	
6d	Retaining ring Ø25	58508	-	-	-	1	
6e	Spring Ø2,8 L145	738203	-	-	-	1	
6f	Setting plate	76A16	-	-	-	1	
6g	Screw M8X1,25 L25	96108A0251	-	-	-	2	
6h	Washer Ø8	9810081	-	-	-	2	
6i	Nut M8X1,25	97408A1	-	-	-	2	
7	Drum 10 holes for M22X1,5	66LWA1001	280	335	177	1	66LWA1001

(1) - From 175mm to 300mm step 25mm. From 300mm to 1200mm step 50mm.



Item	Description	Code	A	B	C	Qty.	Kit code
1a	Brake shoe complete	732WC03	-	-	-	2	9RE0106
2a	Spring Ø5,2 L106	738128	-	-	-	2	
2b	Twist lock	736XC02	-	-	-	1	
2c	Spring Ø3,0 L138	738129	-	-	-	2	
3a	Bush Ø28/32 L40	771008	-	-	-	2	9RH0046
1b	Brake lining	734WC02	-	-	-	4	
2a	Spring Ø5,2 L106	738128	-	-	-	2	
2b	Twist lock	736XC02	-	-	-	1	
2c	Spring Ø3,0 L138	738129	-	-	-	2	9RK0016
1c	Rivet	96701	-	-	-	34	
2a	Spring Ø5,2 L106	738128	-	-	-	4	
2b	Twist lock	736XC02	-	-	-	2	
2c	Spring Ø3,0 L138	738129	-	-	-	4	9RE0084
1d	Roll Ø32	73BVC01	-	-	-	2	
1e	Spring	738127	-	-	-	2	
3a	Bush Ø28/32 L40	771008	-	-	-	2	
3b	Camshaft bush Ø42	771007	-	-	-	1	
3c	Seal Ø42	5490501	-	-	-	2	
3d	Washer Ø42	73G01	-	-	-	2	
3e	Retaining ring Ø42	58514	-	-	-	1	
3f	Rubber cover	53A11	-	-	-	1	
3g	Clamp	98E01	-	-	-	1	9RM050
3h	Grease nipple M8X1,25	98608A1	-	-	-	1	
4a	Protection plate with rubber caps	743WC0006	-	-	-	1	
4b	Square seal	747A112	110	-	-	2	
4c	Spacer L66	57708A7	-	-	-	4	
4d	Nut M8X1,25	97708A1	-	-	-	4	
4a	Protection plate with rubber caps	743WC0006	-	-	-	1	9RM052
4b	Square seal	747A242	120	-	-	2	
4c	Spacer L66	57708A7	-	-	-	4	
4d	Nut M8X1,25	97708A1	-	-	-	4	
4a	Protection plate with rubber caps	743WC0006	-	-	-	1	9RM054
4b	Square seal	747A342	130	-	-	2	
4c	Spacer L66	57708A7	-	-	-	4	
4d	Nut M8X1,25	97708A1	-	-	-	4	
4a	Protection plate with rubber caps	743WC0006	-	-	-	1	9RM056
4b	Square seal	747A542	150	-	-	2	
4c	Spacer L66	57708A7	-	-	-	4	
4d	Nut M8X1,25	97708A1	-	-	-	4	



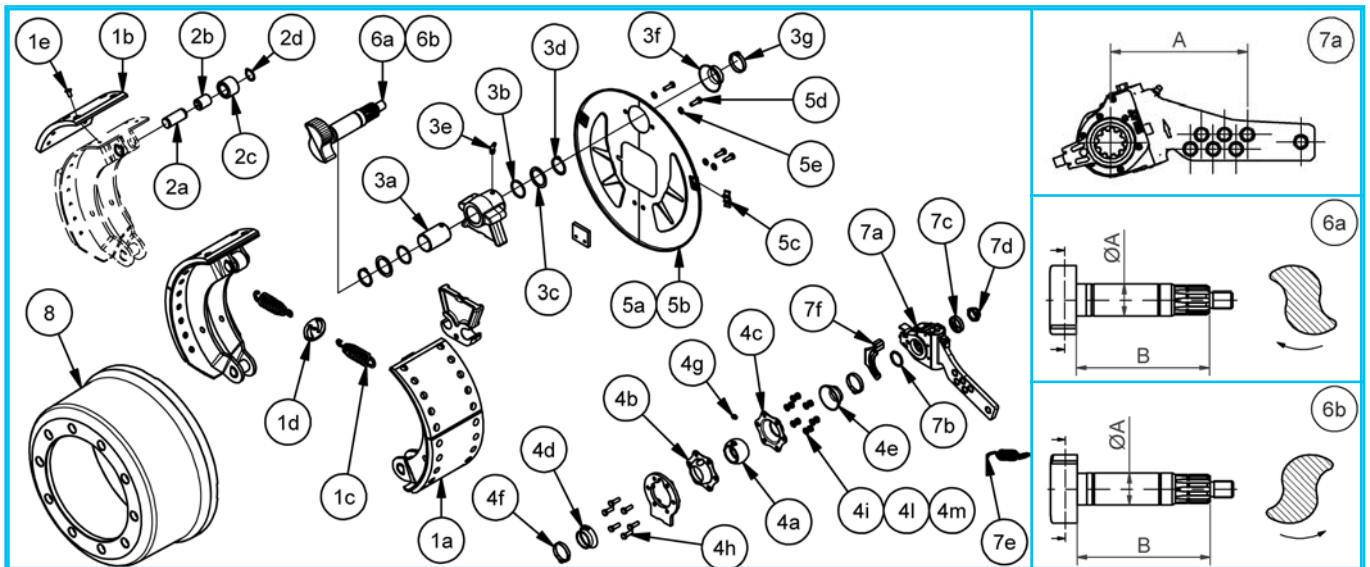
Item	Description	Code	A	B	C	Qty.	Kit code
4a + 4b	Protection plate with rubber caps	743WCB221	Ø127	-	-	1	(2) 9RM058
4c	Spacer L46 Spacer L81	57710B13 57710B10	-	-	-	2 1	
4d	Lock washer Ø10 Nut M10X1,5	57B1001 97510B1	-	-	-	1 3	
5a	Camshaft bush assembled	74417U01	-	-	-	1	
5b	Screw M8X1,25 L25	96108A0251	-	-	-	4	9RL010
5c	Washer Ø8	9810081	-	-	-	4	
5d	Elastic washer Ø8	9830081	-	-	-	4	
5e	Nut M8X1,25	97108A1	-	-	-	4	
6a	Camshaft bush Ø39	772007	-	-	-	1	(3) 9RL001
6b	Casing	7480401	-	-	-	1	
6c	Casing	7480402	-	-	-	1	
6d	Rubber cover	56A10	-	-	-	2	
3g	Clamp	98E01	-	-	-	2	
3h	Grease nipple M8X1,25	98608A1	-	-	-	1	
5b	Screw M8X1,25 L25	96108A0251	-	-	-	6	
5c	Washer Ø8	9810081	-	-	-	6	
5d	Elastic washer Ø8	9830081	-	-	-	6	75P4062... 75P4063... 75Q4062... 75Q4063...
5e	Nut M8X1,25	97108A1	-	-	-	6	
7a	Right camshaft	75P4062...	Ø42	(1) ≤300	-	1	75P4062... 75P4063...
	Right camshaft	75P4063...	Ø42	(1) >300	-	1	
7b	Left camshaft	75Q4062...	Ø42	(1) ≤300	-	1	75Q4062... 75Q4063...
	Left camshaft	75Q4063...	Ø42	(1) >300	-	1	
8a	Slack adjuster	7621603	203	-	-	1	9RR0010
8c	Washer Ø26	9812601	-	-	-	1	
8d	Retaining ring Ø25	58508	-	-	-	1	
8e	Spring Ø3,5 L173	738201	-	-	-	1	
8b	Automatic slack adjuster	7631606	180	-	-	1	9RS0018
8c	Washer Ø26	9812601	-	-	-	1	
8d	Retaining ring Ø25	58508	-	-	-	1	
8e	Spring Ø2,8 L145	738203	-	-	-	1	
8f	Setting plate	76A12	-	-	-	1	
5b	Screw M8X1,25 L25	96108A0251	-	-	-	2	
5c	Washer Ø8	9810081	-	-	-	2	
5d	Elastic washer Ø8	9830081	-	-	-	2	
5e	Nut M8X1,25	97108A1	-	-	-	2	66LWA0801 66LWA1005
9	Drum 8 holes for M20X1,5 Drum 10 holes for M22X1,5	66LWA0801 66LWA1005	Ø220 Ø280	Ø275 Ø335	178 180	1 1	

(1) - From 200mm to 300mm step 25mm. From 300mm to 1200mm step 50mm.
 (2) - For axles produced from 2017. (3) - For axles produced till 2013.

Brake 420X180 - 4218S - XA

For axles type RW, VF and XL

(page 1 of 2)



Item	Description	Code	A	B	C	Qty.	Kit code
1a	Brake shoe complete	732XA02	-	-	-	2	9RE0036
1c	Spring Ø5,5 L100	738124	-	-	-	2	
1d	Twist lock	736YA01	-	-	-	1	
1b	Brake lining	734XG01	-	-	-	4	9RH0016
1c	Spring Ø5,5 L100	738124	-	-	-	2	
1d	Twist lock	736YA01	-	-	-	1	
1e	Rivet	96701	-	-	-	42	9RK0014
1c	Spring Ø5,5 L100	738124	-	-	-	4	
1d	Twist lock	736YA01	-	-	-	2	
2a	Pin Ø26 L63	83302601	-	-	-	2	9RE0072
2b	Bush Ø26	771263401	-	-	-	2	
2c	Roll Ø45	737XA01	-	-	-	2	
2d	Retaining ring Ø26	58502	-	-	-	4	
3a	Camshaft bush Ø42	771427201	-	-	-	1	9RL0014
3b	O-ring W3,00 Ø41,50	53104001	-	-	-	2	
3c	Washer Ø42	9814201	-	-	-	2	
3d	Retaining ring Ø42	58514	-	-	-	2	
3e	Grease nipple M10X1,00	9861012	-	-	-	1	
3f	Rubber cover	53A07	-	-	-	1	
3g	Clamp	98E01	-	-	-	1	9RL0020
4a	Camshaft bush Ø42	772423801	-	-	-	1	
4b	Casing	7480401	-	-	-	1	
4c	Casing	7480402	-	-	-	1	
4d	Rubber cover	56A08	-	-	-	1	
4e	Rubber cover	56A09	-	-	-	1	
4f	Clamp	98E01	-	-	-	2	
4g	Grease nipple M8X1,25	98608A1	-	-	-	1	
4h	Screw M8X1,25 L25	96108A0251	-	-	-	6	
4i	Washer Ø8	9810081	-	-	-	6	
4l	Elastic washer Ø8	9830081	-	-	-	6	
4m	Nut M8X1,25	97108A1	-	-	-	6	

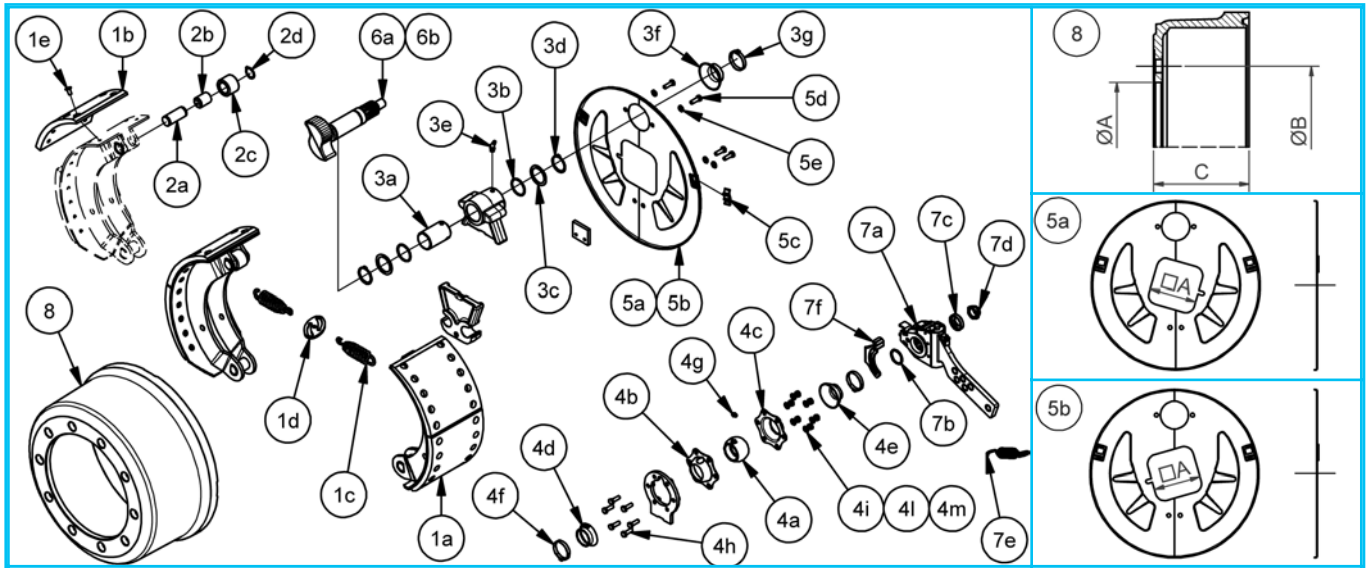
Brake 420X180 - 4218S - XA

For axles type RW, VF and XL

(page 2 of 2)



ADR - RC09/2021



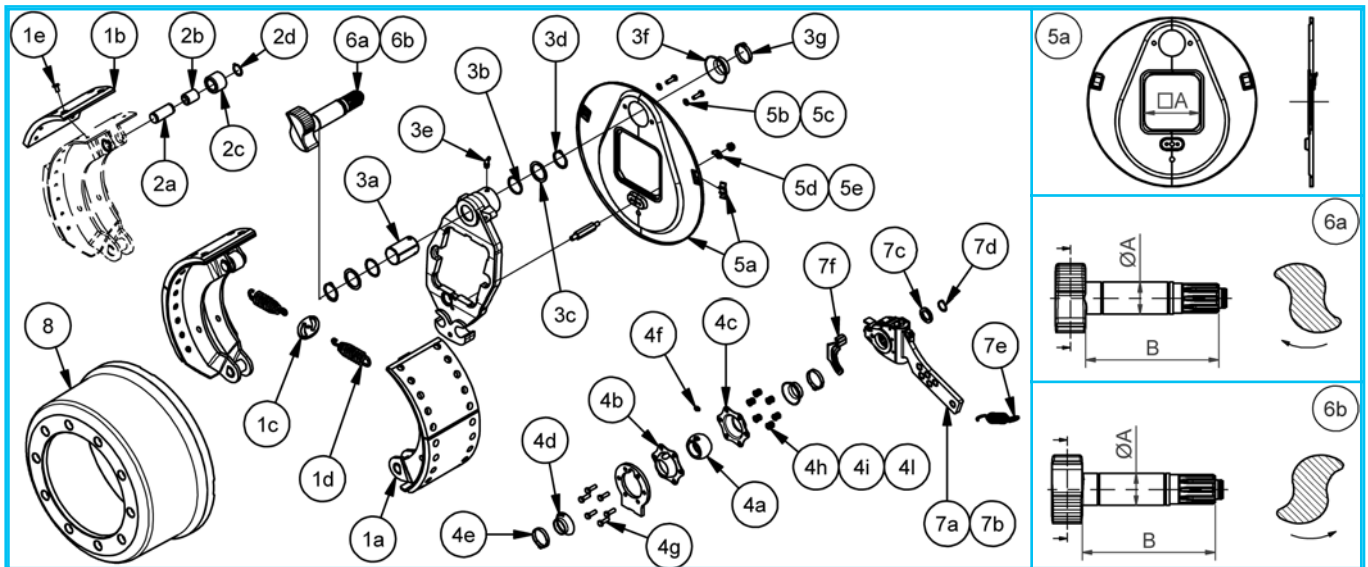
Item	Description	Code	A	B	C	Qty.	Kit code
5a	Protection plate 16° right	743XAA2A1	120	-	-	1	9RM0008
5c	Rubber cap	53801801	-	-	-	2	
5d	Screw M8X1,25 L12	96108A0121	-	-	-	4	
5e	Washer Ø8	9810081	-	-	-	4	
5b	Protection plate 16° left	743XAA2B1	120	-	-	1	9RM0010
5c	Rubber cap	53801801	-	-	-	2	
5d	Screw M8X1,25 L12	96108A0121	-	-	-	4	
5e	Washer Ø8	9810081	-	-	-	4	
5a	Protection plate 16° right	743XAA5A1	150	-	-	1	9RM0012
5c	Rubber cap	53801801	-	-	-	2	
5d	Screw M8X1,25 L12	96108A0121	-	-	-	4	
5e	Washer Ø8	9810081	-	-	-	4	
5b	Protection plate 16° left	743XAA5B1	150	-	-	1	9RM0014
5c	Rubber cap	53801801	-	-	-	2	
5d	Screw M8X1,25 L12	96108A0121	-	-	-	4	
5e	Washer Ø8	9810081	-	-	-	4	
6a	Right camshaft	7574262...	42	(1) ≤300	-	1	7574262...
	Right camshaft	7574263...	42	(1) >300	-	1	7574263...
6b	Left camshaft	7584262...	42	(1) ≤300	-	1	7584262...
	Left camshaft	7584263...	42	(1) >300	-	1	7584263...
7a	Automatic slack adjuster	7631606	180	-	-	1	9RS0018
7b	Ring Ø17	9A0256160590	-	-	-	1	
7c	Ring Ø22	9A6652030013	-	-	-	1	
7d	Nut M22X1,5	9A6652030014	-	-	-	1	
7e	Spring Ø2,8 L145	738203	-	-	-	1	
7f	Setting plate	76A12	-	-	-	1	
4h	Screw M8X1,25 L25	96108A0251	-	-	-	2	
4i	Washer Ø8	9810081	-	-	-	2	
4l	Elastic washer Ø8	9830081	-	-	-	2	
4m	Nut M8X1,25	97108A1	-	-	-	2	
8	Drum 10 holes for M22X1,5	66LXA1002	280	335	227	1	66LXA1002
	Drum 10 holes for M22X1,5	66LXA1001	290	335	227	1	66LXA1001

(1) - From 175mm to 300mm step 25mm. From 300mm to 1000mm step 50mm.

Brake 420X180 - 4218S - XA

For axles type RJ, VJ and XJ

(page 1 of 2)



Item	Description	Code	A	B	C	Qty.	Kit code
1a	Brake shoe complete	732XA02	-	-	-	2	9RE0036
1c	Spring Ø5,5 L100	738124	-	-	-	2	
1d	Twist lock	736YA01	-	-	-	1	
1b	Brake lining	734XG01	-	-	-	4	9RH0016
1c	Spring Ø5,5 L100	738124	-	-	-	2	
1d	Twist lock	736YA01	-	-	-	1	
1e	Rivet	96701	-	-	-	42	9RK0014
1c	Spring Ø5,5 L100	738124	-	-	-	4	
1d	Twist lock	736YA01	-	-	-	2	
2a	Pin Ø26 L63	83302601	-	-	-	2	
2b	Bush Ø26	771263401	-	-	-	2	
2c	Roll Ø45	737XA01	-	-	-	2	
2d	Retaining ring Ø26	58502	-	-	-	4	
3a	Camshaft bush Ø42	771427201	-	-	-	1	9RL0014
3b	O-ring W3,00 Ø41,50	53104001	-	-	-	2	
3c	Washer Ø42	9814201	-	-	-	2	
3d	Retaining ring Ø42	58514	-	-	-	2	
3e	Grease nipple M10X1,00	9861012	-	-	-	1	
3f	Rubber cover	53A07	-	-	-	1	
3g	Clamp	98E01	-	-	-	1	
4a	Camshaft bush Ø39	772007	-	-	-	1	9RL001
4b	Casing	7480401	-	-	-	1	
4c	Casing	7480402	-	-	-	1	
4d	Rubber cover	56A10	-	-	-	2	
4e	Clamp	98E01	-	-	-	2	
4f	Grease nipple M8X1,25	98608A1	-	-	-	1	
4g	Screw M8X1,25 L25	96108A0251	-	-	-	6	
4h	Washer Ø8	9810081	-	-	-	6	
4i	Elastic washer Ø8	9830081	-	-	-	6	
4l	Nut M8X1,25	97108A1	-	-	-	6	

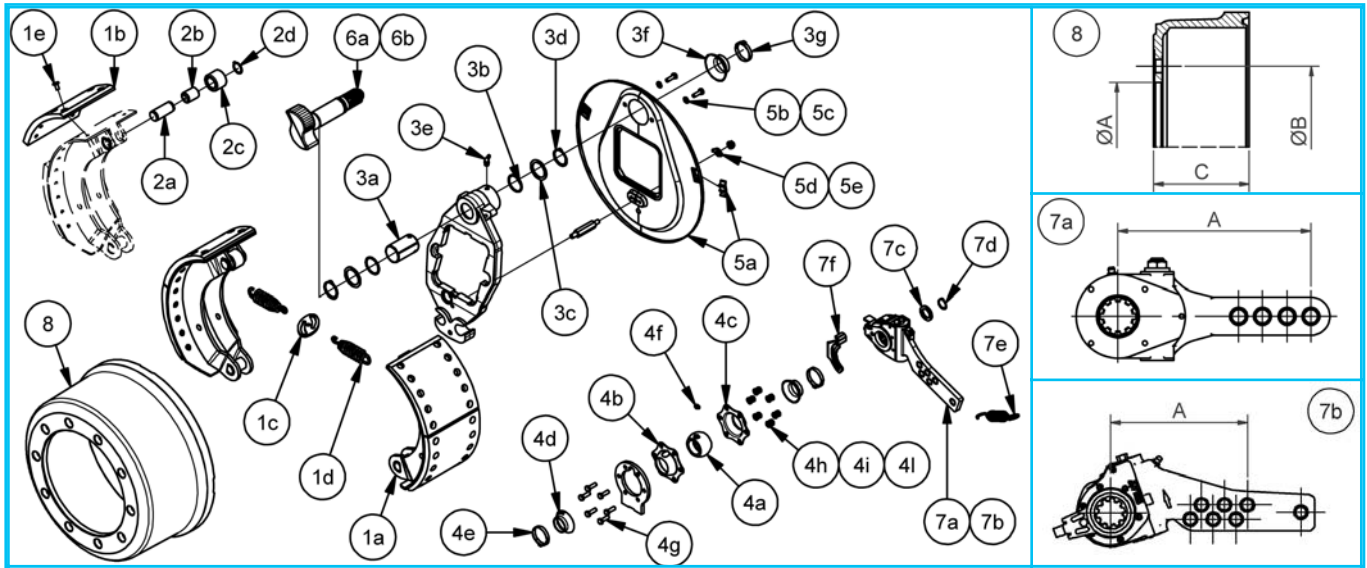
Brake 420X180 - 4218S - XA

For axles type RJ, VJ and XJ

(page 2 of 2)

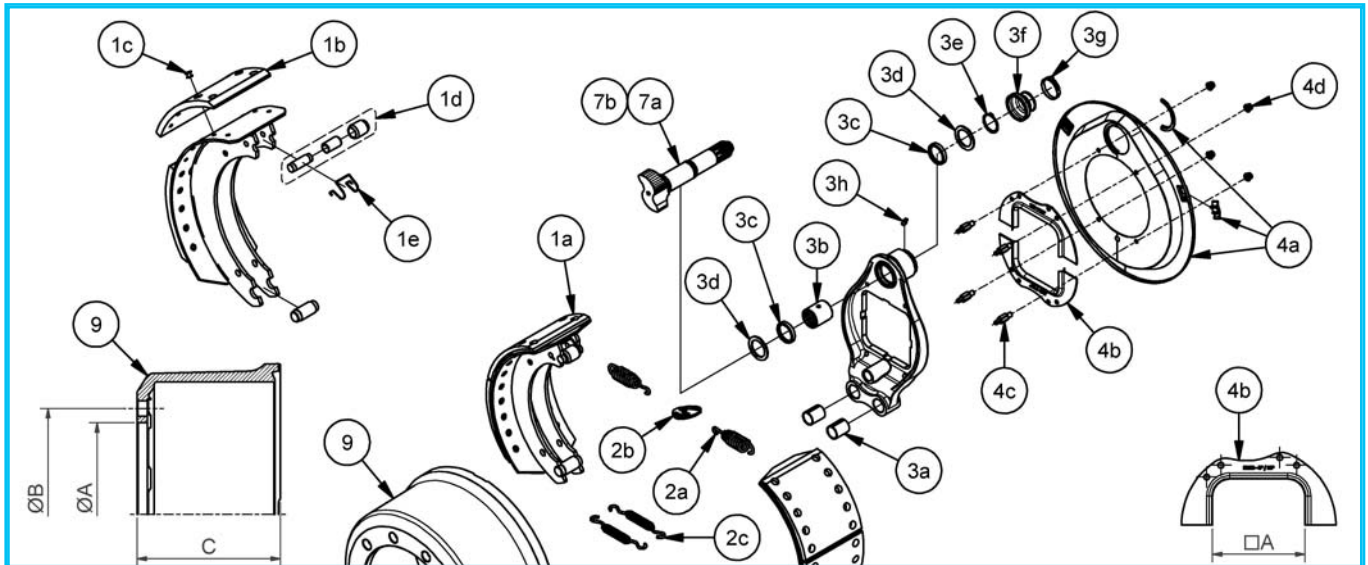


ADR - RC09/2021

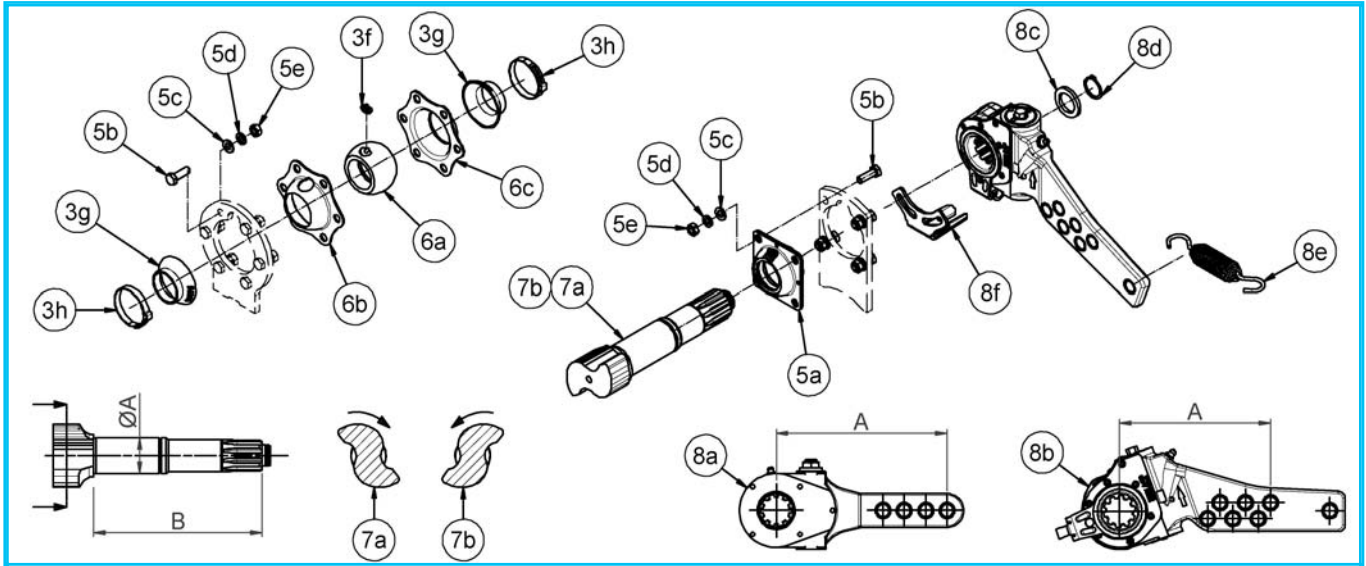


Item	Description	Code	A	B	C	Qty.	Kit code
5a	Protection plate with rubber caps	743YCA212	120	-	-	1	9RM010
5b	Washer Ø8	9810081	-	-	-	2	
5c	Screw M8X1,25 L25	96108A0251	-	-	-	2	
5d	Lock washer Ø10	57B1001	-	-	-	1	
5e	Nut M10X1,5	97510B1	-	-	-	1	
5a	Protection plate with rubber caps	743YCA512	150	-	-	1	9RM011
5b	Washer Ø8	9810081	-	-	-	2	
5c	Screw M8X1,25 L25	96108A0251	-	-	-	2	
5d	Lock washer Ø10	57B1001	-	-	-	1	
5e	Nut M10X1,5	97510B1	-	-	-	1	
5a	Protection plate with rubber caps	743YCR222	Ø127	-	-	1	9RM012
5b	Washer Ø8	9810081	-	-	-	2	
5c	Screw M8X1,25 L25	96108A0251	-	-	-	2	
5d	Lock washer Ø10	57B1001	-	-	-	1	
5e	Nut M10X1,5	97510B1	-	-	-	1	
6a	Right camshaft	75E4262...	42	(1) ≤300	-	1	75E4262...
	Right camshaft	75E4263...	42	(1) >300	-	1	75E4263...
6b	Left camshaft	75F4262...	42	(1) ≤300	-	1	75F4262...
	Left camshaft	75F4263...	42	(1) >300	-	1	75F4263...
7a	Slack adjuster	7621603	203	-	-	1	9RR0010
7c	Washer Ø26	9812601	-	-	-	1	
7d	Retaining ring Ø25	58508	-	-	-	1	
7e	Spring Ø3,5 L173	738201	-	-	-	1	
7b	Automatic slack adjuster	7631606	180	-	-	1	
7c	Washer Ø26	9812601	-	-	-	1	
7d	Retaining ring Ø25	58508	-	-	-	1	
7e	Spring Ø2,8 L145	738203	-	-	-	1	
7f	Setting plate	76A12	-	-	-	1	
4g	Screw M8X1,25 L25	96108A0251	-	-	-	2	
4h	Washer Ø8	9810081	-	-	-	2	
4i	Elastic washer Ø8	9830081	-	-	-	2	
4l	Nut M8X1,25	97108A1	-	-	-	2	
8	Drum 10 holes for M22X1,5	66LXA1002	280	335	227	1	66LXA1002
	Drum 10 holes for M22X1,5	66LXA1001	290	335	227	1	66LXA1001

(1) - From 175mm to 300mm step 25mm. From 300mm to 1000mm step 50mm.

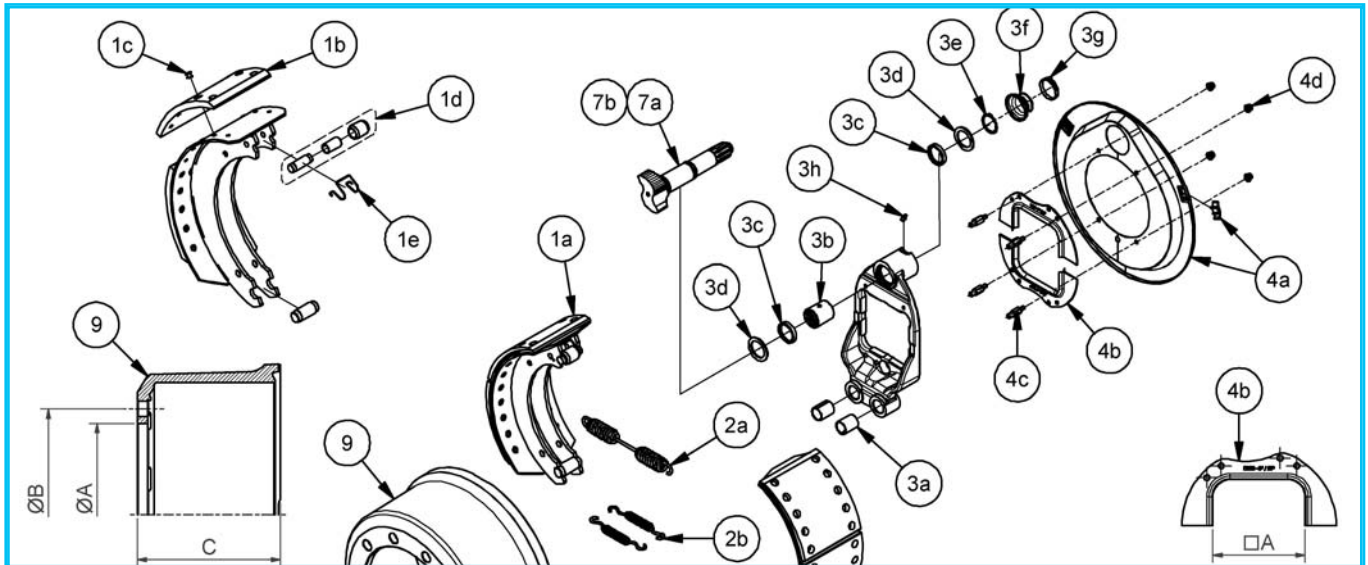


Item	Description	Code	A	B	C	Qty.	Kit code
1a	Brake shoe complete	732XC04	-	-	-	2	9RE0082
2a	Spring Ø5,2 L106	738128	-	-	-	2	
2b	Twist lock	736XC02	-	-	-	1	
2c	Spring Ø3,0 L138	738129	-	-	-	2	
3a	Bush Ø28/32 L40	771008	-	-	-	2	
1b	Brake lining	734XG01	-	-	-	4	9RH0028
2a	Spring Ø5,2 L106	738128	-	-	-	2	
2b	Twist lock	736XC02	-	-	-	1	
2c	Spring Ø3,0 L138	738129	-	-	-	2	
1c	Rivet	96701	-	-	-	42	9RK0016
2a	Spring Ø5,2 L106	738128	-	-	-	4	
2b	Twist lock	736XC02	-	-	-	2	
2c	Spring Ø3,0 L138	738129	-	-	-	4	
1d	Roll Ø32	73BVC01	-	-	-	2	9RE0084
1e	Spring	738127	-	-	-	2	
3a	Bush Ø28/32 L40	771008	-	-	-	2	9RL0026
3b	Camshaft bush Ø42	771007	-	-	-	1	
3c	Seal Ø42	5490501	-	-	-	2	
3d	Washer Ø42	73G01	-	-	-	2	
3e	Retaining ring Ø42	58514	-	-	-	1	
3f	Rubber cover	53A11	-	-	-	1	
3g	Clamp	98E01	-	-	-	1	
3h	Grease nipple M8X1,25	98608A1	-	-	-	1	9RM016
4a	Protection plate with rubber caps	743XC0002	-	-	-	1	
4b	Square seal	747A112	110	-	-	2	
4c	Spacer L51	57708A1	-	-	-	4	
4d	Nut M8X1,25	97708A1	-	-	-	4	9RM017
4a	Protection plate with rubber caps	743XC0002	-	-	-	1	
4b	Square seal	747A242	120	-	-	2	
4c	Spacer L51	57708A1	-	-	-	4	
4d	Nut M8X1,25	97708A1	-	-	-	4	9RM023
4a	Protection plate with rubber caps	743XC0002	-	-	-	1	
4b	Square seal	747A342	130	-	-	2	
4c	Spacer L51	57708A1	-	-	-	4	
4d	Nut M8X1,25	97708A1	-	-	-	4	9RM018
4a	Protection plate with rubber caps	743XC0002	-	-	-	1	
4b	Square seal	747A542	150	-	-	2	
4c	Spacer L51	57708A1	-	-	-	4	
4d	Nut M8X1,25	97708A1	-	-	-	4	

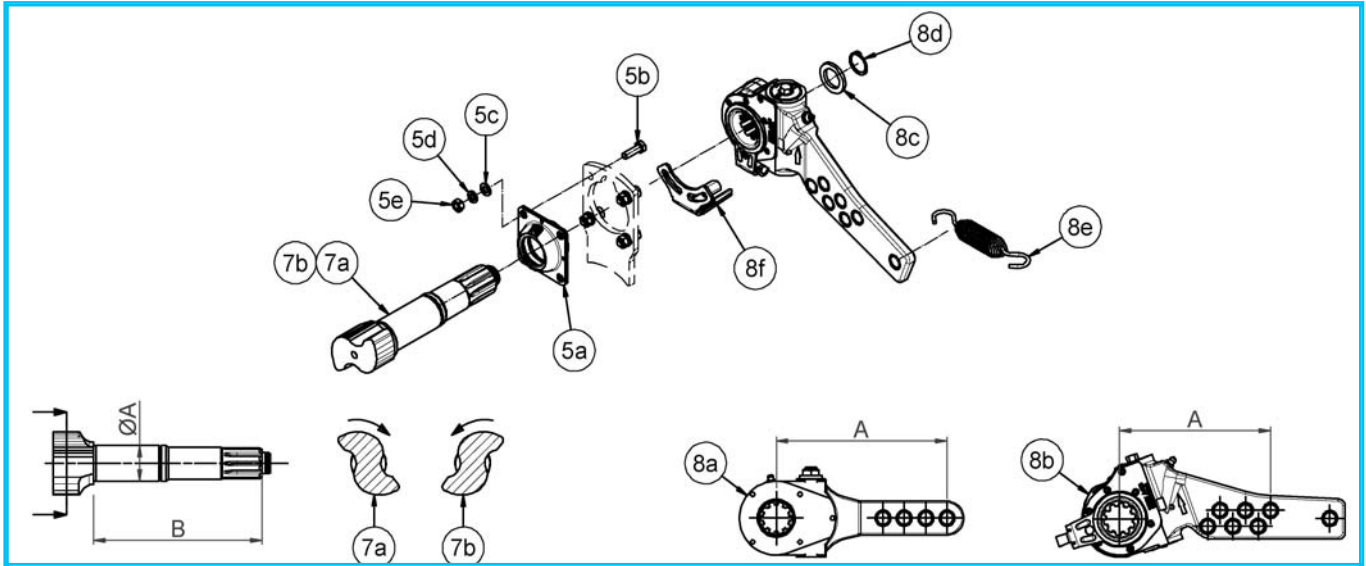


Item	Description	Code	A	B	C	Qty.	Kit code
4a + 4b	Protection plate with rubber caps	743XCB223	Ø127	-	-	1	(2) 9RM019
4c	Spacer L53 Spacer L95	57710B20 57710B12	-	-	-	2 1	
4d	Lock washer Ø10 Nut M10X1,5	57B1001 97510B1	-	-	-	1 3	
5a	Camshaft bush assembled	74417U01	-	-	-	1	
5b	Screw M8X1,25 L25	96108A0251	-	-	-	4	9RL010
5c	Washer Ø8	9810081	-	-	-	4	
5d	Elastic washer Ø8	9830081	-	-	-	4	
5e	Nut M8X1,25	97108A1	-	-	-	4	
6a	Camshaft bush Ø39	772007	-	-	-	1	(3) 9RL001
6b	Casing	7480401	-	-	-	1	
6c	Casing	7480402	-	-	-	1	
6d	Rubber cover	56A10	-	-	-	2	
3g	Clamp	98E01	-	-	-	2	
3h	Grease nipple M8X1,25	98608A1	-	-	-	1	
5b	Screw M8X1,25 L25	96108A0251	-	-	-	6	
5c	Washer Ø8	9810081	-	-	-	6	
5d	Elastic washer Ø8	9830081	-	-	-	6	
5e	Nut M8X1,25	97108A1	-	-	-	6	
7a	Right camshaft	75P4062...	42	(1) <=300	-	1	75P4062...
	Right camshaft	75P4063...	42	(1) >300	-	1	75P4063...
7b	Left camshaft	75Q4062...	42	(1) <=300	-	1	75Q4062...
	Left camshaft	75Q4063...	42	(1) >300	-	1	75Q4063...
8a	Slack adjuster	7621603	203	-	-	1	9RR0010
8c	Washer Ø26	9812601	-	-	-	1	
8d	Retaining ring Ø25	58508	-	-	-	1	
8e	Spring Ø3,5 L173	738201	-	-	-	1	
8b	Automatic slack adjuster	7631606	180	-	-	1	9RS0018
8c	Washer Ø26	9812601	-	-	-	1	
8d	Retaining ring Ø25	58508	-	-	-	1	
8e	Spring Ø2,8 L145	738203	-	-	-	1	
8f	Setting plate	76A12	-	-	-	1	
5b	Screw M8X1,25 L25	96108A0251	-	-	-	2	
5c	Washer Ø8	9810081	-	-	-	2	
5d	Elastic washer Ø8	9830081	-	-	-	2	
5e	Nut M8X1,25	97108A1	-	-	-	2	
9	Drum 10 holes for M22X1,5	66LXA1002	280	335	227	1	
	Drum 10 holes for M22X1,5	66LXA1001	290	335	227	1	66LXA1001

(1) - From 200mm to 300mm step 25mm. From 300mm to 1200mm step 50mm.
 (2) - For axles produced from 2017. (3) - For axles produced till 2013.



Item	Description	Code	A	B	C	Qty.	Kit code
1a	Brake shoe complete	732XC04	-	-	-	2	9RE0142
2a	Spring Ø5,5 L233	738137	-	-	-	1	
2b	Spring Ø3,0 L138	738129	-	-	-	2	
3a	Bush Ø28/32 L40	771008	-	-	-	2	9RH0054
1b	Brake lining	734XG01	-	-	-	4	
2a	Spring Ø5,5 L233	738137	-	-	-	1	
2b	Spring Ø3,0 L138	738129	-	-	-	2	9RK0030
1c	Rivet	96701	-	-	-	42	
2a	Spring Ø5,5 L233	738137	-	-	-	2	
2b	Spring Ø3,0 L138	738129	-	-	-	4	9RE0084
1d	Roll Ø32	73BVC01	-	-	-	2	
1e	Spring	738127	-	-	-	2	
3a	Bush Ø28/32 L40	771008	-	-	-	2	
3b	Camshaft bush Ø42	771007	-	-	-	1	
3c	Seal Ø42	5490501	-	-	-	2	
3d	Washer Ø42	73G01	-	-	-	2	
3e	Retaining ring Ø42	58514	-	-	-	1	9RL0026
3f	Rubber cover	53A11	-	-	-	1	
3g	Clamp	98E01	-	-	-	1	
3h	Grease nipple M8X1,25	98608A1	-	-	-	1	
4a	Protection plate with rubber caps	743XC0002	-	-	-	1	
4b	Square seal	747A112	110	-	-	2	
4c	Spacer L51	57708A1	-	-	-	4	
4d	Nut M8X1,25	97708A1	-	-	-	4	
4a	Protection plate with rubber caps	743XC0002	-	-	-	1	9RM017
4b	Square seal	747A242	120	-	-	2	
4c	Spacer L51	57708A1	-	-	-	4	
4d	Nut M8X1,25	97708A1	-	-	-	4	
4a	Protection plate with rubber caps	743XC0002	-	-	-	1	9RM023
4b	Square seal	747A342	130	-	-	2	
4c	Spacer L51	57708A1	-	-	-	4	
4d	Nut M8X1,25	97708A1	-	-	-	4	
4a	Protection plate with rubber caps	743XC0002	-	-	-	1	9RM018
4b	Square seal	747A542	150	-	-	2	
4c	Spacer L51	57708A1	-	-	-	4	
4d	Nut M8X1,25	97708A1	-	-	-	4	



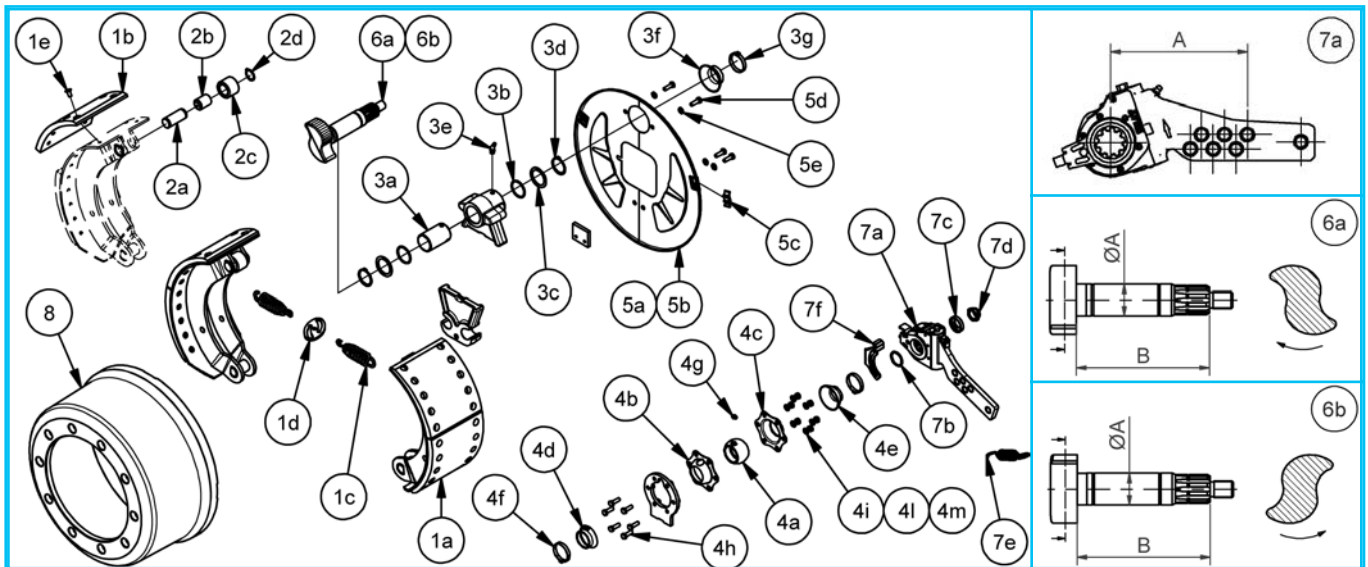
Item	Description	Code	A	B	C	Qty.	Kit code
4a + 4b	Protection plate with rubber caps	743XCB223	Ø127	-	-	1	9RM024
4c	Spacer L51	57708A1	-	-	-	4	
4d	Nut M8X1,25	97708A1	-	-	-	4	
4a + 4b	Protection plate with rubber caps	743XCB121	Ø112	-	-	1	9RM025 <small>(For steering axles)</small>
4c	Spacer L53 Spacer L95	57710B20 57710B12	-	-	-	2 1	
4d	Lock washer Ø10 Nut M10X1,5	57B1001 97510B1	-	-	-	1 3	
4a + 4b	Protection plate with rubber caps	743XCB223	Ø124	-	-	1	9RM019 <small>(For steering axles)</small>
4c	Spacer L53 Spacer L95	57710B20 57710B12	-	-	-	2 1	
4d	Lock washer Ø10 Nut M10X1,5	57B1001 97510B1	-	-	-	1 3	
5a	Camshaft bush assembled	74417U01	-	-	-	1	9RL010
5b	Screw M8X1,25 L25	96108A0251	-	-	-	4	
5c	Washer Ø8	9810081	-	-	-	4	
5d	Elastic washer Ø8	9830081	-	-	-	4	
5e	Nut M8X1,25	97108A1	-	-	-	4	
7a	Right camshaft	75P4062...	42	(1) ≤300	-	1	75P4062...
	Right camshaft	75P4063...	42	(1) >300	-	1	75P4063...
7b	Left camshaft	75Q4062...	42	(1) ≤300	-	1	75Q4062...
	Left camshaft	75Q4063...	42	(1) >300	-	1	75Q4063...
8a	Slack adjuster	7621603	203	-	-	1	9RR0010
8c	Washer Ø26	9812601	-	-	-	1	
8d	Retaining ring Ø25	58508	-	-	-	1	
8e	Spring Ø3,5 L173	738201	-	-	-	1	
8b	Automatic slack adjuster	7631606	180	-	-	1	9RS0018
8c	Washer Ø26	9812601	-	-	-	1	
8d	Retaining ring Ø25	58508	-	-	-	1	
8e	Spring Ø2,8 L145	738203	-	-	-	1	
8f	Setting plate	76A12	-	-	-	1	
5b	Screw M8X1,25 L25	96108A0251	-	-	-	2	
5c	Washer Ø8	9810081	-	-	-	2	
5d	Elastic washer Ø8	9830081	-	-	-	2	
5e	Nut M8X1,25	97108A1	-	-	-	2	
9	Drum 10 holes for M22X1,5	66LXA1002	280	335	227	1	66LXA1002

(1) - From 200mm to 300mm step 25mm. From 300mm to 1200mm step 50mm.

Brake 420X200 - 4220S - YA

For axles type RW, VF and XL

(page 1 of 2)



Item	Description	Code	A	B	C	Qty.	Kit code
1a	Brake shoe complete	732YA02	-	-	-	2	9RE0046
1c	Spring Ø5,5 L100	738124	-	-	-	2	
1d	Twist lock	736YA01	-	-	-	1	
1b	Brake lining	734YA01	-	-	-	4	9RH0022
1c	Spring Ø5,5 L100	738124	-	-	-	2	
1d	Twist lock	736YA01	-	-	-	1	
1e	Rivet	96701	-	-	-	42	9RK0014
1c	Spring Ø5,5 L100	738124	-	-	-	4	
1d	Twist lock	736YA01	-	-	-	2	
2a	Pin Ø26 L63	83302601	-	-	-	2	9RE0072
2b	Bush Ø26	771263401	-	-	-	2	
2c	Roll Ø45	737XA01	-	-	-	2	
2d	Retaining ring Ø26	58502	-	-	-	4	
3a	Camshaft bush Ø42	771427201	-	-	-	1	9RL0014
3b	O-ring W3,00 Ø41,50	53104001	-	-	-	2	
3c	Washer Ø42	9814201	-	-	-	2	
3d	Retaining ring Ø42	58514	-	-	-	2	
3e	Grease nipple M10X1,00	9861012	-	-	-	1	
3f	Rubber cover	53A07	-	-	-	1	
3g	Clamp	98E01	-	-	-	1	9RL0020
4a	Camshaft bush Ø42	772423801	-	-	-	1	
4b	Casing	7480401	-	-	-	1	
4c	Casing	7480402	-	-	-	1	
4d	Rubber cover	56A08	-	-	-	1	
4e	Rubber cover	56A09	-	-	-	1	
4f	Clamp	98E01	-	-	-	2	
4g	Grease nipple M8X1,25	98608A1	-	-	-	1	
4h	Screw M8X1,25 L25	96108A0251	-	-	-	6	
4i	Washer Ø8	9810081	-	-	-	6	
4l	Elastic washer Ø8	9830081	-	-	-	6	
4m	Nut M8X1,25	97108A1	-	-	-	6	

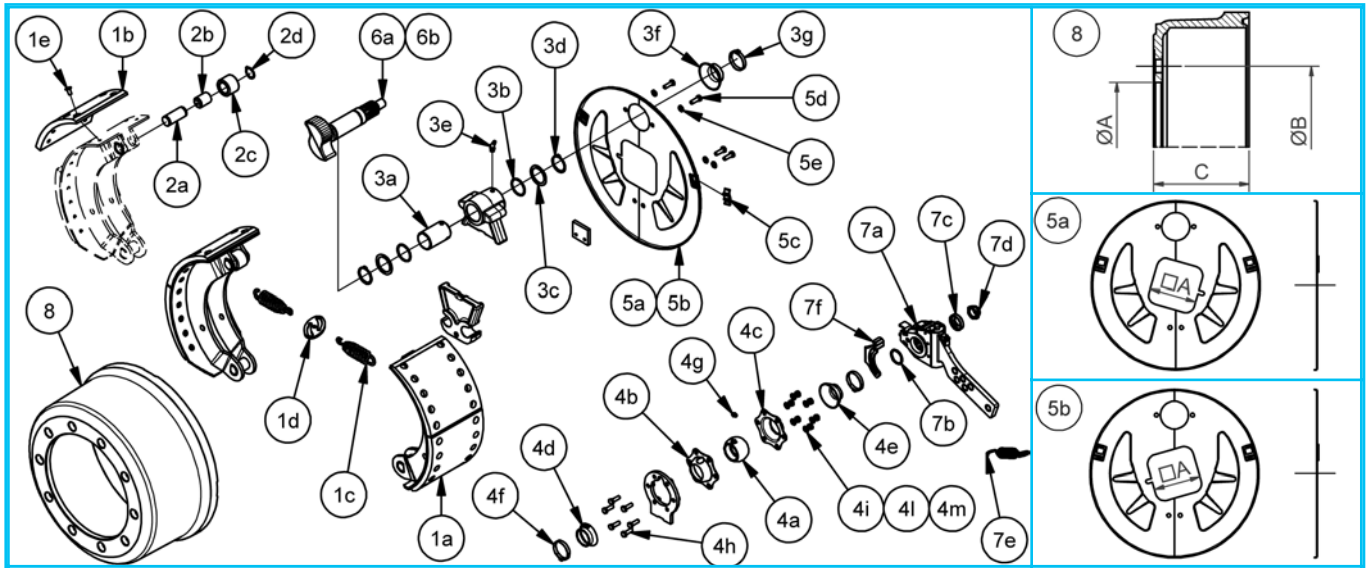
Brake 420X200 - 4220S - YA

For axles type RW, VF and XL

(page 2 of 2)



ADR - RC09/2021



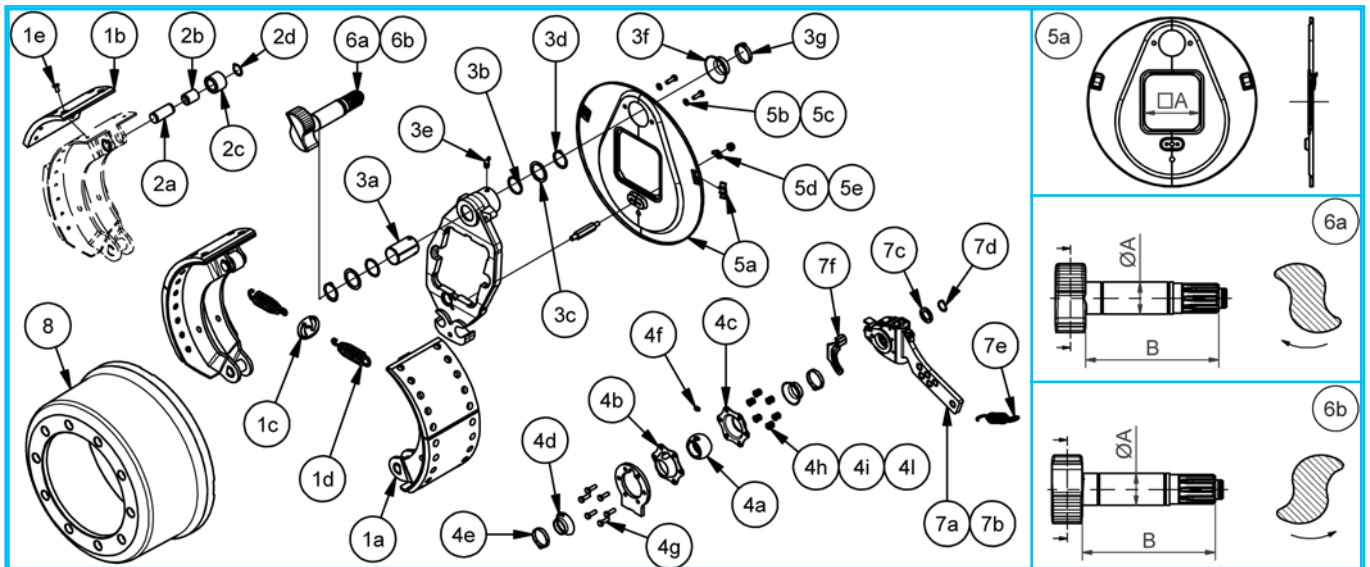
Item	Description	Code	A	B	C	Qty.	Kit code
5a	Protection plate 16° right	743XAA2A1	120	-	-	1	9RM0008
5c	Rubber cap	53801801	-	-	-	2	
5d	Screw M8X1,25 L12	96108A0121	-	-	-	4	
5e	Washer Ø8	9810081	-	-	-	4	
5b	Protection plate 16° left	743XAA2B1	120	-	-	1	9RM0010
5c	Rubber cap	53801801	-	-	-	2	
5d	Screw M8X1,25 L12	96108A0121	-	-	-	4	
5e	Washer Ø8	9810081	-	-	-	4	
5a	Protection plate 16° right	743XAA5A1	150	-	-	1	9RM0012
5c	Rubber cap	53801801	-	-	-	2	
5d	Screw M8X1,25 L12	96108A0121	-	-	-	4	
5e	Washer Ø8	9810081	-	-	-	4	
5b	Protection plate 16° left	743XAA5B1	150	-	-	1	9RM0014
5c	Rubber cap	53801801	-	-	-	2	
5d	Screw M8X1,25 L12	96108A0121	-	-	-	4	
5e	Washer Ø8	9810081	-	-	-	4	
6a	Right camshaft	7574262...	42	(1) ≤300	-	1	7574262...
	Right camshaft	7574263...	42	(1) >300	-	1	7574263...
6b	Left camshaft	7584262...	42	(1) ≤300	-	1	7584262...
	Left camshaft	7584263...	42	(1) >300	-	1	7584263...
7a	Automatic slack adjuster	7631606	180	-	-	1	9RS0018
7b	Ring Ø17	9A0256160590	-	-	-	1	
7c	Ring Ø22	9A6652030013	-	-	-	1	
7d	Nut M22X1,5	9A6652030014	-	-	-	1	
7e	Spring Ø2,8 L145	738203	-	-	-	1	
7f	Setting plate	76A12	-	-	-	1	
4h	Screw M8X1,25 L25	96108A0251	-	-	-	2	
4i	Washer Ø8	9810081	-	-	-	2	
4l	Elastic washer Ø8	9830081	-	-	-	2	
4m	Nut M8X1,25	97108A1	-	-	-	2	
8	Drum 10 holes for M22X1,5	66LYA1006	280	335	259	1	66LYA1006
	Drum 10 holes for M22X1,5	66LYA1007	290	335	259	1	66LYA1007

(1) - From 175mm to 300mm step 25mm. From 300mm to 1000mm step 50mm.

Brake 420X200 - 4220S - YA

For axles type RJ, VJ and XJ

(page 1 of 2)



Item	Description	Code	A	B	C	Qty.	Kit code
1a	Brake shoe complete	732YA02	-	-	-	2	9RE0046
1c	Spring Ø5,5 L100	738124	-	-	-	2	
1d	Twist lock	736YA01	-	-	-	1	
1b	Brake lining	734YA01	-	-	-	4	9RH0022
1c	Spring Ø5,5 L100	738124	-	-	-	2	
1d	Twist lock	736YA01	-	-	-	1	
1e	Rivet	96701	-	-	-	42	9RK0014
1c	Spring Ø5,5 L100	738124	-	-	-	4	
1d	Twist lock	736YA01	-	-	-	2	
2a	Pin Ø26 L63	83302601	-	-	-	2	
2b	Bush Ø26	771263401	-	-	-	2	9RE0072
2c	Roll Ø45	737XA01	-	-	-	2	
2d	Retaining ring Ø26	58502	-	-	-	4	
3a	Camshaft bush Ø42	771427201	-	-	-	1	9RL0014
3b	O-ring W3,00 Ø41,50	53104001	-	-	-	2	
3c	Washer Ø42	9814201	-	-	-	2	
3d	Retaining ring Ø42	58514	-	-	-	2	
3e	Grease nipple M10X1,00	9861012	-	-	-	1	
3f	Rubber cover	53A07	-	-	-	1	
3g	Clamp	98E01	-	-	-	1	
4a	Camshaft bush Ø39	772007	-	-	-	1	9RL001
4b	Casing	7480401	-	-	-	1	
4c	Casing	7480402	-	-	-	1	
4d	Rubber cover	56A10	-	-	-	2	
4e	Clamp	98E01	-	-	-	2	
4f	Grease nipple M8X1,25	98608A1	-	-	-	1	
4g	Screw M8X1,25 L25	96108A0251	-	-	-	6	
4h	Washer Ø8	9810081	-	-	-	6	
4i	Elastic washer Ø8	9830081	-	-	-	6	
4l	Nut M8X1,25	97108A1	-	-	-	6	

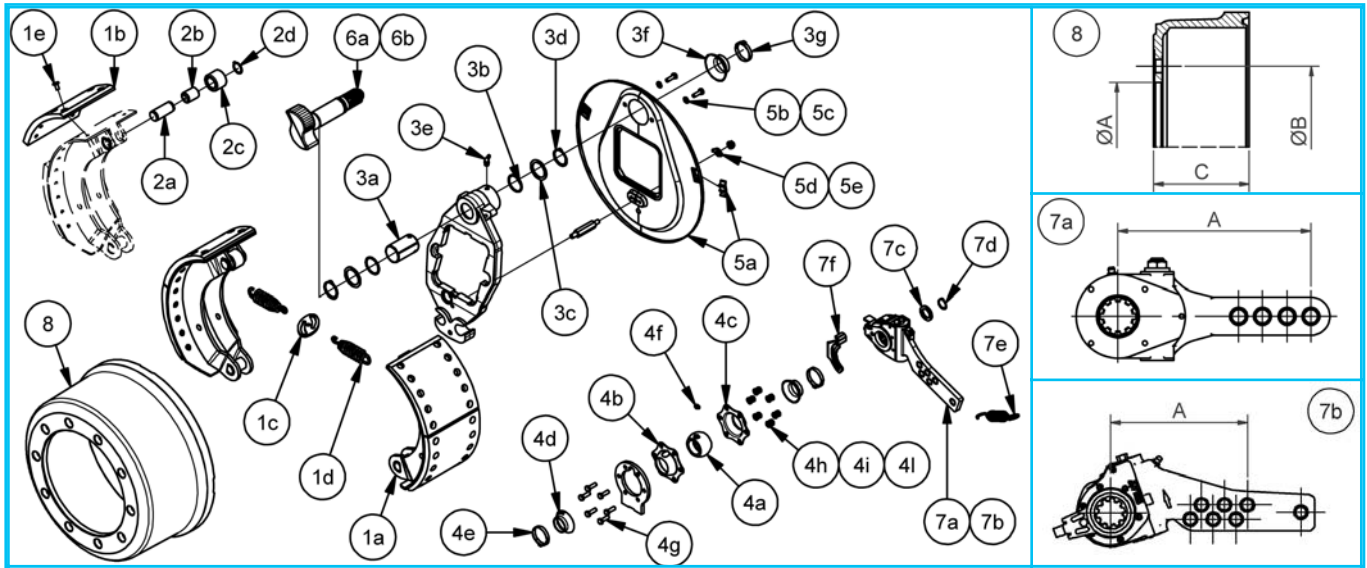
Brake 420X200 - 4220S - YA

For axles type RJ, VJ and XJ

(page 2 of 2)

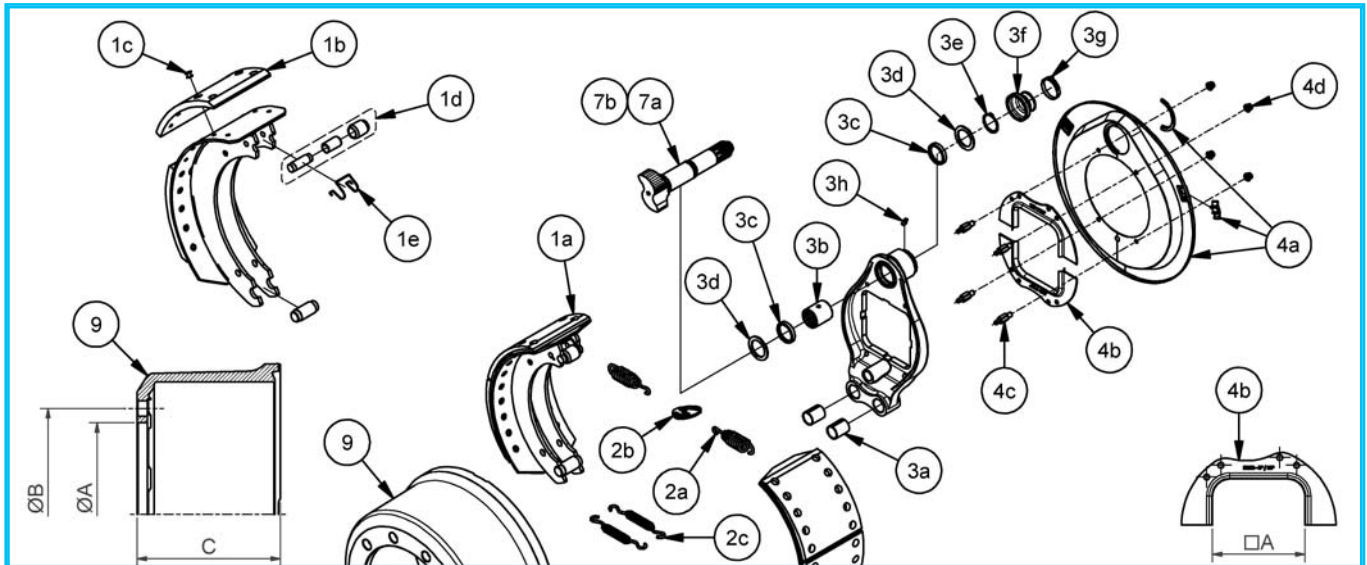


ADR - RC09/2021

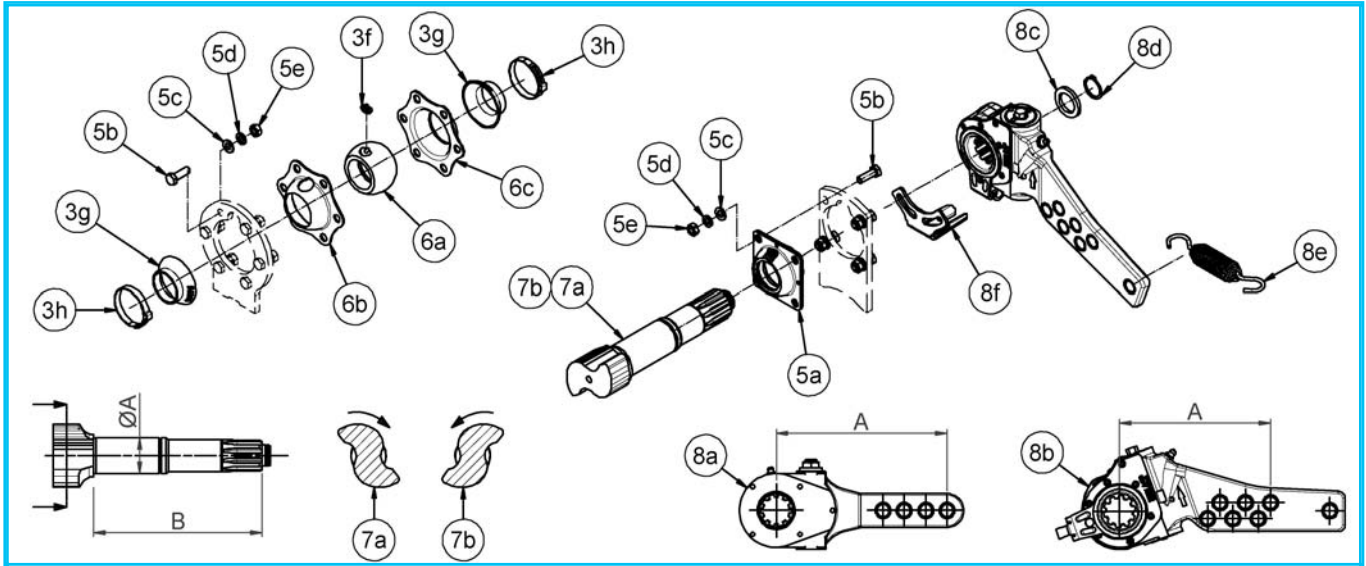


Item	Description	Code	A	B	C	Qty.	Kit code
5a	Protection plate with rubber caps	743YCA212	120	-	-	1	9RM010
5b	Washer Ø8	9810081	-	-	-	2	
5c	Screw M8X1,25 L25	96108A0251	-	-	-	2	
5d	Lock washer Ø10	57B1001	-	-	-	1	
5e	Nut M10X1,5	97510B1	-	-	-	1	
5a	Protection plate with rubber caps	743YCA512	150	-	-	1	9RM011
5b	Washer Ø8	9810081	-	-	-	2	
5c	Screw M8X1,25 L25	96108A0251	-	-	-	2	
5d	Lock washer Ø10	57B1001	-	-	-	1	
5e	Nut M10X1,5	97510B1	-	-	-	1	
5a	Protection plate with rubber caps	743YCR222	Ø127	-	-	1	9RM012
5b	Washer Ø8	9810081	-	-	-	2	
5c	Screw M8X1,25 L25	96108A0251	-	-	-	2	
5d	Lock washer Ø10	57B1001	-	-	-	1	
5e	Nut M10X1,5	97510B1	-	-	-	1	
6a	Right camshaft	75E4262...	42	(1) ≤300	-	1	75E4262...
	Right camshaft	75E4263...	42	(1) >300	-	1	75E4263...
6b	Left camshaft	75F4262...	42	(1) ≤300	-	1	75F4262...
	Left camshaft	75F4263...	42	(1) >300	-	1	75F4263...
7a	Slack adjuster	7621603	203	-	-	1	9RR0010
7c	Washer Ø26	9812601	-	-	-	1	
7d	Retaining ring Ø25	58508	-	-	-	1	
7e	Spring Ø3,5 L173	738201	-	-	-	1	
7b	Automatic slack adjuster	7631606	180	-	-	1	
7c	Washer Ø26	9812601	-	-	-	1	
7d	Retaining ring Ø25	58508	-	-	-	1	
7e	Spring Ø2,8 L145	738203	-	-	-	1	
7f	Setting plate	76A12	-	-	-	1	
4g	Screw M8X1,25 L25	96108A0251	-	-	-	2	
4h	Washer Ø8	9810081	-	-	-	2	
4i	Elastic washer Ø8	9830081	-	-	-	2	
4l	Nut M8X1,25	97108A1	-	-	-	2	
8	Drum 10 holes for M22X1,5	66LYA1006	280	335	259	1	66LYA1006
	Drum 10 holes for M22X1,5	66LYA1007	290	335	259	1	66LYA1007

(1) - From 175mm to 300mm step 25mm. From 300mm to 1000mm step 50mm.

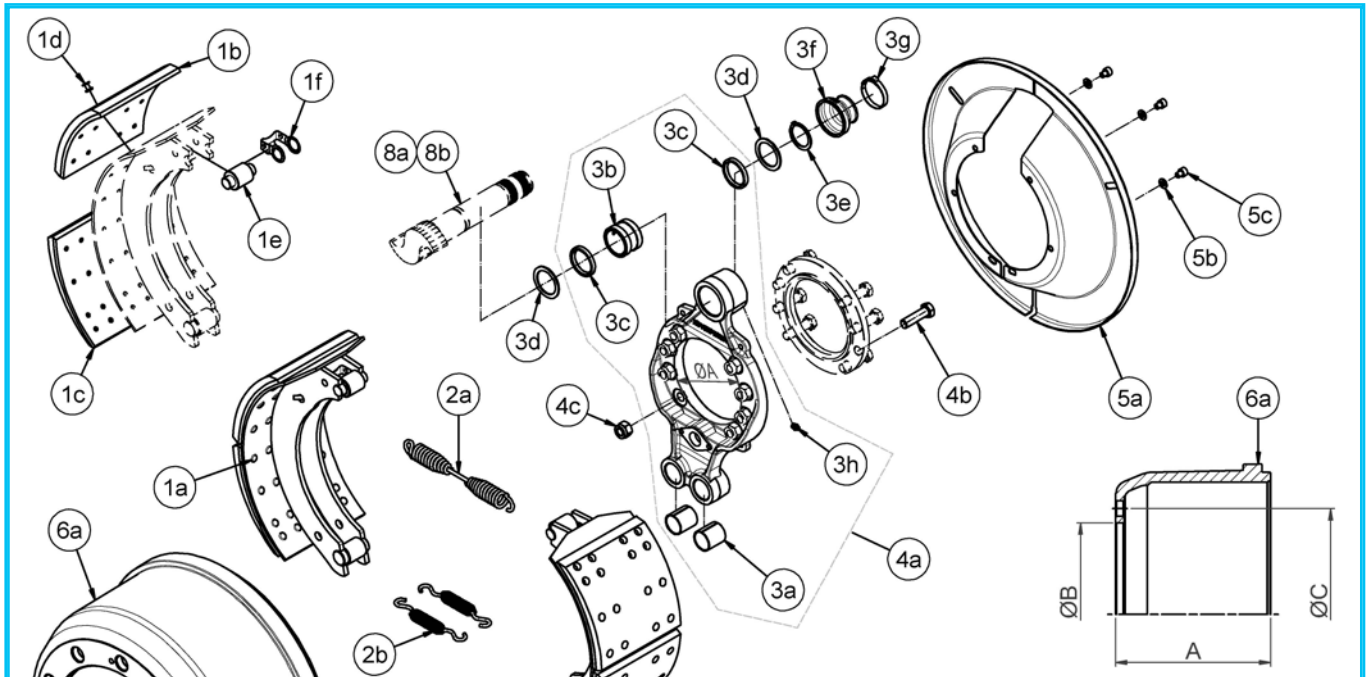


Item	Description	Code	A	B	C	Qty.	Kit code
1a	Brake shoe complete	732YC02	-	-	-	2	9RE0090
2a	Spring Ø5,2 L106	738128	-	-	-	2	
2b	Twist lock	736XC02	-	-	-	1	
2c	Spring Ø3,0 L138	738129	-	-	-	2	
3a	Bush Ø28/32 L40	771008	-	-	-	2	9RH0032
1b	Brake lining	734YC01	-	-	-	4	
2a	Spring Ø5,2 L106	738128	-	-	-	2	
2b	Twist lock	736XC02	-	-	-	1	
2c	Spring Ø3,0 L138	738129	-	-	-	2	9RK0016
1c	Rivet	96701	-	-	-	42	
2a	Spring Ø5,2 L106	738128	-	-	-	4	
2c	Spring Ø3,0 L138	738129	-	-	-	4	
1d	Roll Ø32	73BVC01	-	-	-	2	9RE0084
1e	Spring	738127	-	-	-	2	
3a	Bush Ø28/32 L40	771008	-	-	-	2	
3b	Camshaft bush Ø42	771007	-	-	-	1	
3c	Seal Ø42	5490501	-	-	-	2	9RL0026
3d	Washer Ø42	73G01	-	-	-	2	
3e	Retaining ring Ø42	58514	-	-	-	1	
3f	Rubber cover	53A11	-	-	-	1	
3g	Clamp	98E01	-	-	-	1	9RM030
3h	Grease nipple M8X1,25	98608A1	-	-	-	1	
4a	Protection plate with rubber caps	743XC0002	-	-	-	1	
4b	Square seal	747A112	110	-	-	2	
4c	Spacer L66	57708A7	-	-	-	4	9RM032
4d	Nut M8X1,25	97708A1	-	-	-	4	
4a	Protection plate with rubber caps	743XC0002	-	-	-	1	
4b	Square seal	747A242	120	-	-	2	
4c	Spacer L66	57708A7	-	-	-	4	9RM034
4d	Nut M8X1,25	97708A1	-	-	-	4	
4a	Protection plate with rubber caps	743XC0002	-	-	-	1	
4b	Square seal	747A542	150	-	-	2	
4c	Spacer L66	57708A7	-	-	-	4	9RM034
4d	Nut M8X1,25	97708A1	-	-	-	4	

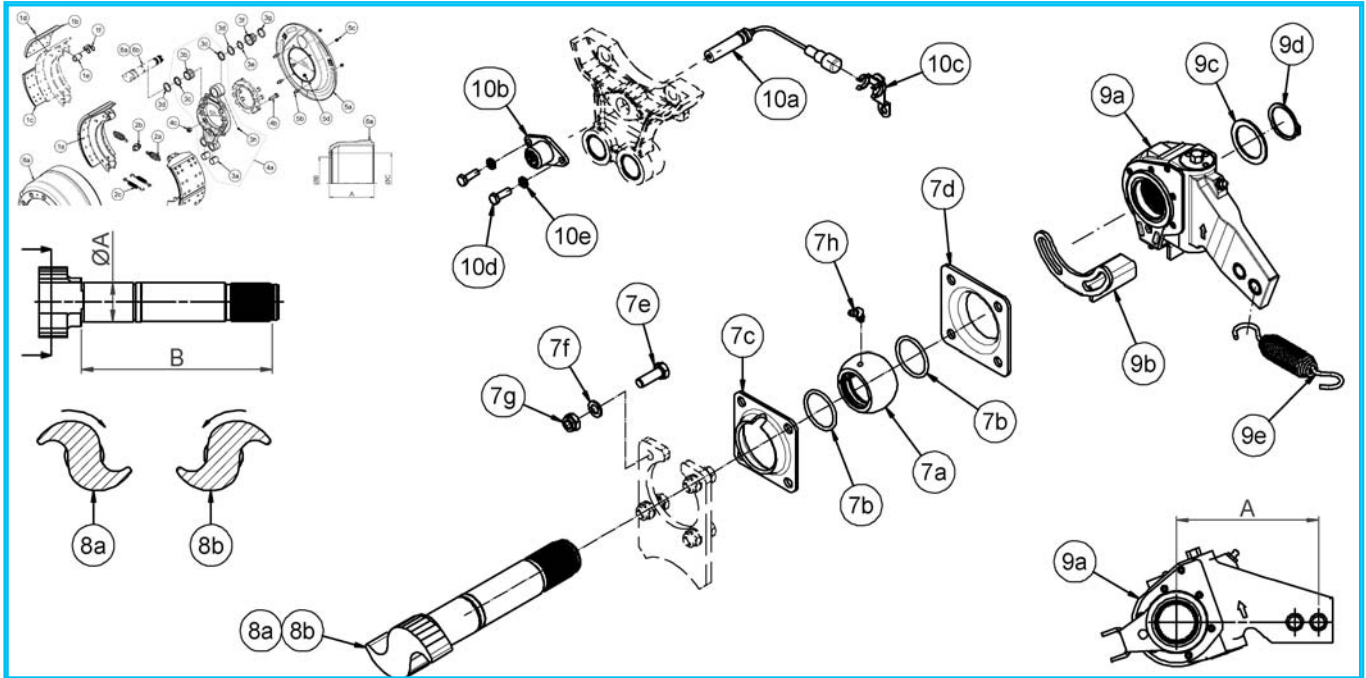


Item	Description	Code	A	B	C	Qty.	Kit code
4a + 4b	Protection plate with rubber caps	743XCB223	Ø127	-	-	1	(2) 9RM036
4c	Spacer L61 Spacer L104	57710B21 57710B14	-	-	-	2 1	
4d	Lock washer Ø10 Nut M10X1,5	57B1001 97510B1	-	-	-	1 3	
5a	Camshaft bush assembled	74417U01	-	-	-	1	
5b	Screw M8X1,25 L25	96108A0251	-	-	-	4	9RL010
5c	Washer Ø8	9810081	-	-	-	4	
5d	Elastic washer Ø8	9830081	-	-	-	4	
5e	Nut M8X1,25	97108A1	-	-	-	4	
6a	Camshaft bush Ø39	772007	-	-	-	1	(3) 9RL001
6b	Casing	7480401	-	-	-	1	
6c	Casing	7480402	-	-	-	1	
6d	Rubber cover	56A10	-	-	-	2	
3g	Clamp	98E01	-	-	-	2	
3h	Grease nipple M8X1,25	98608A1	-	-	-	1	
5b	Screw M8X1,25 L25	96108A0251	-	-	-	6	
5c	Washer Ø8	9810081	-	-	-	6	
5d	Elastic washer Ø8	9830081	-	-	-	6	
5e	Nut M8X1,25	97108A1	-	-	-	6	
7a	Right camshaft	75P4062...	42	(1) ≤300	-	1	75P4062...
	Right camshaft	75P4063...	42	(1) >300	-	1	75P4063...
7b	Left camshaft	75Q4062...	42	(1) ≤300	-	1	75Q4062...
	Left camshaft	75Q4063...	42	(1) >300	-	1	75Q4063...
8a	Slack adjuster	7621603	203	-	-	1	9RR0010
8c	Washer Ø26	9812601	-	-	-	1	
8d	Retaining ring Ø25	58508	-	-	-	1	
8e	Spring Ø3,5 L173	738201	-	-	-	1	
8b	Automatic slack adjuster	7631606	180	-	-	1	9RS0018
8c	Washer Ø26	9812601	-	-	-	1	
8d	Retaining ring Ø25	58508	-	-	-	1	
8e	Spring Ø2,8 L145	738203	-	-	-	1	
8f	Setting plate	76A12	-	-	-	1	
5b	Screw M8X1,25 L25	96108A0251	-	-	-	2	
5c	Washer Ø8	9810081	-	-	-	2	
5d	Elastic washer Ø8	9830081	-	-	-	2	
5e	Nut M8X1,25	97108A1	-	-	-	2	
9	Drum 10 holes for M22X1,5	66LYA1006	280	335	259	1	66LYA1006
	Drum 10 holes for M22X1,5	66LYA1007	290	335	259	1	66LYA1007

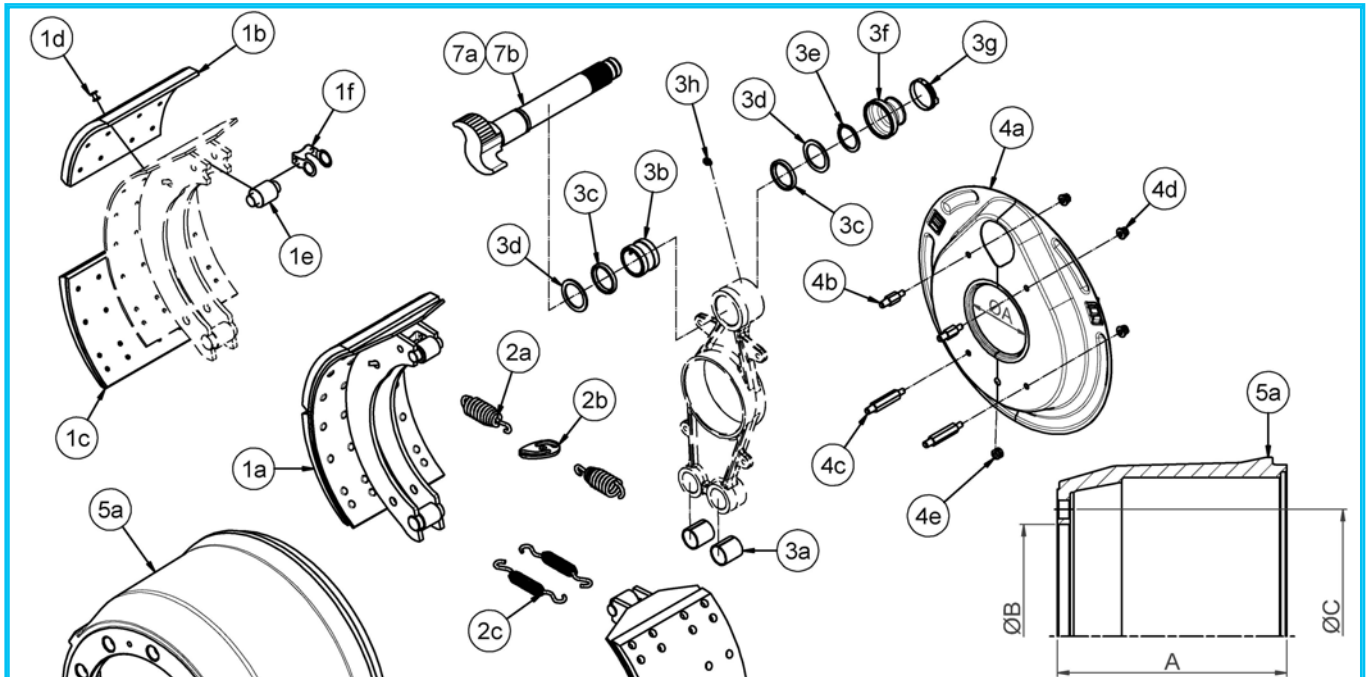
(1) - From 200mm to 300mm step 25mm. From 300mm to 1200mm step 50mm.
 (2) - For axles produced from 2017. (3) - For axles produced till 2013.



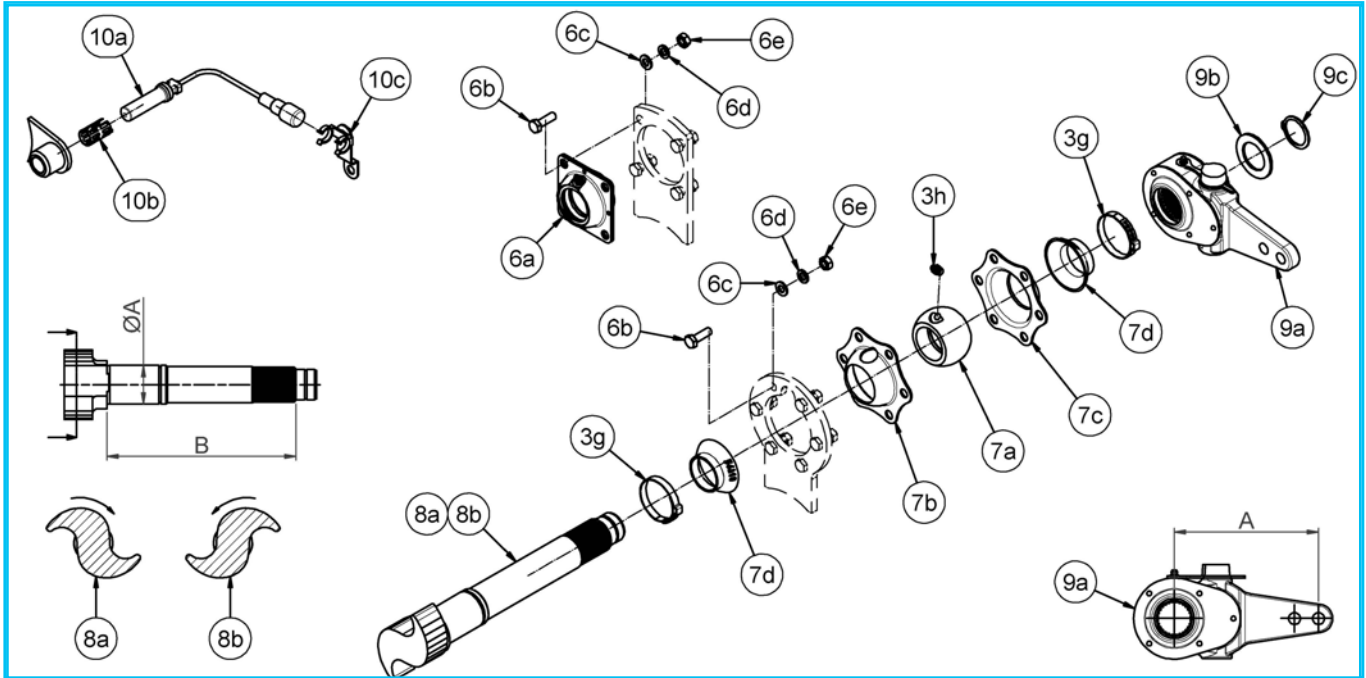
Item	Description	Code	A (mm)	B/C (mm)	Qty.	Kit code
1a	Brake shoe complete	732YW01	-	-	2	9RE0116
2a	Spring Ø5 L200	738134	-	-	1	
2b	Spring Ø3,2 L124	738136	-	-	2	
3a	Bush Ø31,7 Ø34,7 L37	772015	-	-	2	9RH0048
1b	Brake lining	734YG01	-	-	2	
1c	Brake lining	734YG02	-	-	2	
2a	Spring Ø5 L200	738134	-	-	1	
2b	Spring Ø3,2 L124	738136	-	-	2	
1d	Rivet	96706	-	-	66	
2a	Spring Ø5 L200	738134	-	-	1	
2b	Spring Ø3,2 L124	738136	-	-	2	
1e	Roll Ø3	737YL01	-	-	2	9RE0100
1f	Spring	738133	-	-	2	
3a	Bush Ø31,7 Ø34,7 L37	772015	-	-	2	9RL0032
3b	Bush Ø41,1 Ø50,7 L36	772014	-	-	1	
3c	Seal Ø41,1	5490512	-	-	2	
3d	Washer Ø42	9814201	-	-	2	
3e	Retaining ring Ø40	58504	-	-	1	
3f	Rubber cover	53A09	-	-	1	
3g	Clamp	98E01	-	-	1	
3h	Grease nipple M10x1,00	9861011	-	-	1	9RM1004
4a	Brake spider	742YWR523	150	-	1	
4b	Screw M14x2 L60	96114D0601	-	-	8	
4c	Nut M14x2	97414D1	-	-	8	9RM060
5a	Protection plate	743YWZZ01	206	-	1	
5b	Washer Ø8	9810081	-	-	6	
5c	Screw M8X1,25	96308A0101	-	-	6	66LYG1001
6a	Drum 10 holes for M22 - axles type ZL	66LYG1001	246	290/335	1	
6a	Drum 10 holes for M22 - axles type ZN	66LYW1001	247	282/335	1	66LYW1001



Item	Description	Code	A (mm)	B (mm)	Qty.	Kit code
7a	Camshaft bush Ø41	772022	-	-	1	9RL011
7b	O-ring W3,53 Ø39,69	53104002	-	-	2	
7c	Casing	7481202	-	-	1	
7d	Casing	7481203	-	-	1	
7e	Screw M10x1,50 L30	96110B0301	-	-	4	
7f	Washer Ø10	9811002	-	-	4	
7g	Nut M10x1,50	97510B1	-	-	4	
7h	Grease nipple M6x1,00	9860611	-	-	1	
8a	Right camshaft	75R4272...	41,1	<=300	1	75R4272...
	Right camshaft	75R4273...	41,1	>300	1	75R4273...
8b	Left camshaft	75S4272...	41,1	<=300	1	75S4272...
	Left camshaft	75S4273...	41,1	>300	1	75S4273...
9a	Slack adjuster	7631702	150	-	1	9RR0014
9b	Setting plate	76A11	-	-	1	
9c	Washer Ø38	9813801	-	-	1	
9d	Retaining ring Ø38	58513	-	-	1	
9e	Spring Ø2,8 L145	738203	-	-	1	
10a	ABS sensor	73A08	-	-	1	9RT016
10b	ABS support	73A50	-	-	1	
10c	Clamp	73A13	-	-	1	
10d	Screw M8x1,25 L16	96108A0161	-	-	2	
10e	Elastic washer Ø8	9830081	-	-	2	
						(For axles type ZL)
10a	ABS sensor	73A20	-	-	1	9RT022
10b	ABS support	73A84	-	-	1	
10c	Clamp	73A13	-	-	1	
10d	Screw M8x1,25 L16	96108A0161	-	-	2	
10e	Elastic washer Ø8	9830081	-	-	2	
						(For axles type ZN)

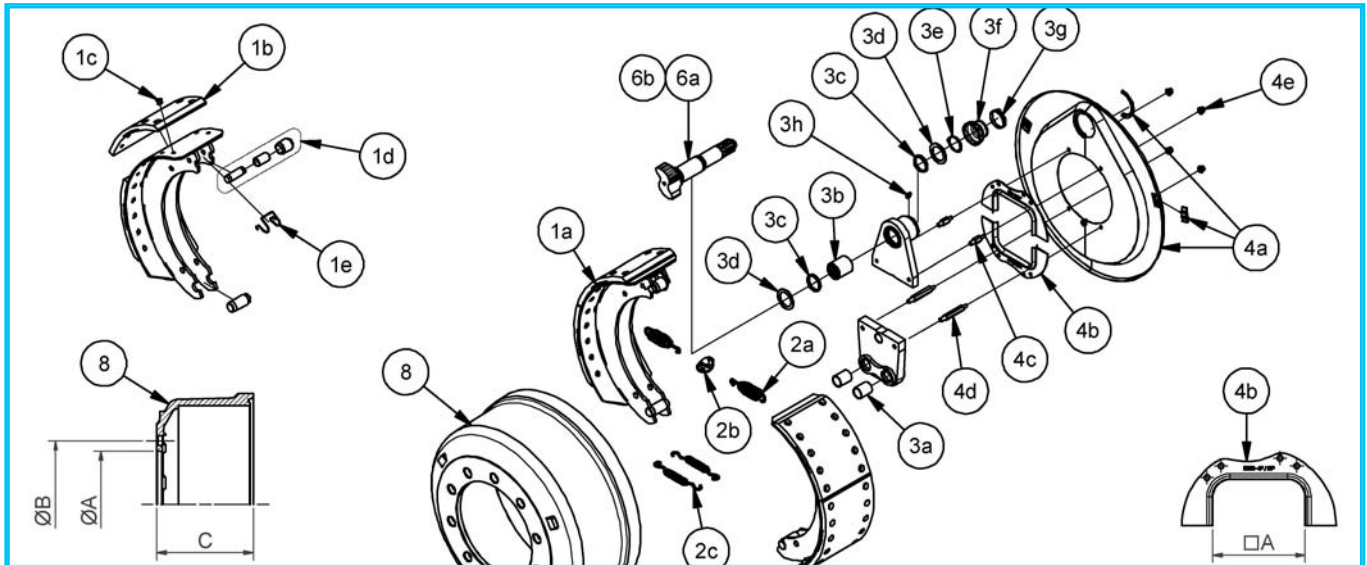


Item	Description	Code	A (mm)	B/C (mm)	Qty.	Kit code
1a	Brake shoe complete	732YL01	-	-	2	9RE0102
2a	Spring Ø5 L86	738131	-	-	2	
2b	Twist lock	736XC02	-	-	1	
2c	Spring Ø3 L131	738132	-	-	2	
3a	Bush Ø31,7 Ø34,7 L37	772015	-	-	2	9RH0042
1b	Brake lining	734YL01	-	-	2	
1c	Brake lining	734YL02	-	-	2	
2a	Spring Ø5 L86	738131	-	-	2	
2b	Twist lock	736XC02	-	-	1	
2c	Spring Ø3 L131	738132	-	-	2	
1d	Rivet	96706	-	-	66	9RK0020
2a	Spring Ø5 L86	738131	-	-	2	
2b	Twist lock	736XC02	-	-	1	
2c	Spring Ø3 L131	738132	-	-	2	9RE0100
1e	Roll Ø3	737YL01	-	-	2	
1f	Spring	738133	-	-	2	9RL0030
3a	Bush Ø31,7 Ø34,7 L37	772015	-	-	2	
3b	Bush Ø41,1 Ø50,7 L36	772014	-	-	1	
3c	Seal Ø41,1	5490512	-	-	2	
3d	Washer Ø42	9814201	-	-	2	
3e	Retaining ring Ø40	58504	-	-	1	
3f	Rubber cover	53A09	-	-	1	
3g	Clamp	98E01	-	-	1	9RM048
3h	Grease nipple M8x1,25	98608A1	-	-	1	
4a	Protection plate	743YLR222	127	-	1	
4b	Spacer L51	57708A1	-	-	2	
4c	Spacer L83	57710B5	-	-	2	
4d	Nut M8x1,25	97708A1	-	-	4	66LYL1001
4e	ABS fairlead	73A01	-	-	1	
5a	Drum 10 holes for M22x1,5	66LYL1001	303	295/335	1	66LYL1001
	Drum for hub 5 or 6 spokes	66LYL0601	245	285/324	1	66LYL0601

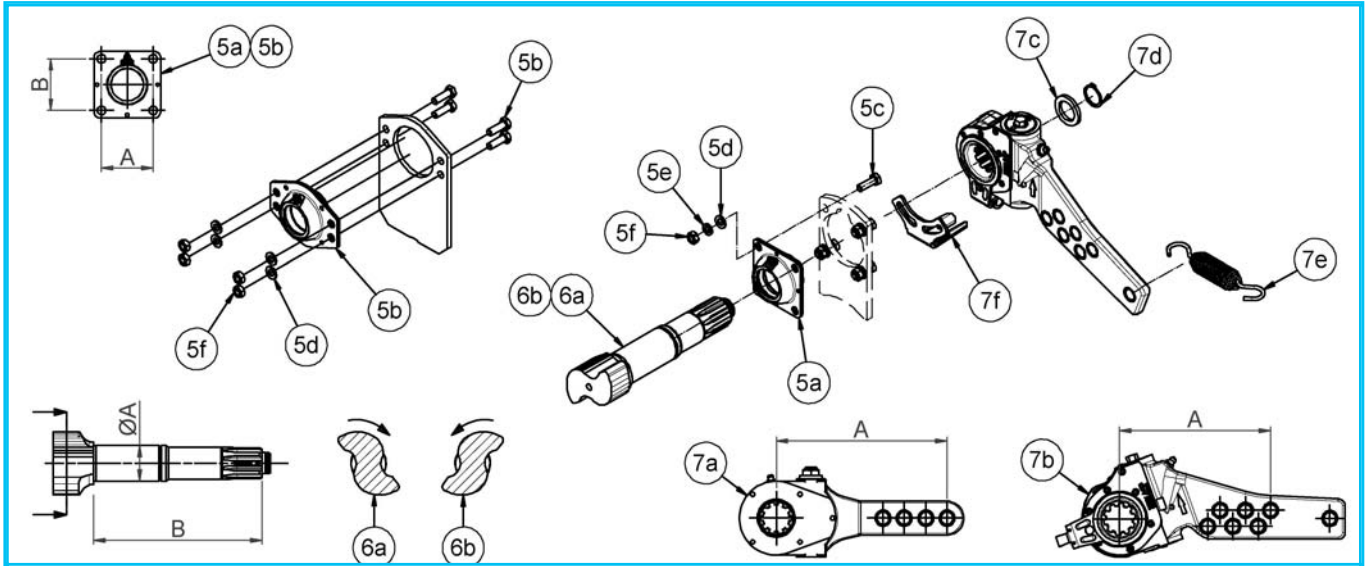


Item	Description	Code	A (mm)	B (mm)	Qty.	Kit code
6a	Camshaft bush - assembled	74417U01	-	-	1	(2) 9RL010
6b	Screw M8x1,25 L25	96108A0251	-	-	4	
6c	Washer Ø8	9810081	-	-	4	
6d	Elastic washer Ø8	9830081	-	-	4	
6e	Nut M8x1,25	97108A1	-	-	4	
7a	Camshaft bush Ø39	772007	-	-	1	(3) 9RL001
7b	Casing	7480401	-	-	1	
7c	Casing	7480402	-	-	1	
6b	Screw M8x1,25 L25	96108A0251	-	-	6	
6c	Washer Ø8	9810081	-	-	6	
6d	Elastic washer Ø8	9830081	-	-	6	
6e	Nut M8x1,25	97108A1	-	-	6	
7d	Rubber cover	56A10	-	-	2	75R4082... 75R4083... 75S4082... 75S4083...
3g	Clamp	98E01	-	-	2	
3h	Grease nipple M8x1,25	98608A1	-	-	1	
8a	Right camshaft	75R4082...	41,1	(1) <=300	1	75R4082...
	Right camshaft	75R4083...	41,1	(1) >300	1	75R4083...
8b	Left camshaft	75S4082...	41,1	(1) <=300	1	75S4082...
	Left camshaft	75S4083...	41,1	(1) >300	1	75S4083...
9a	Slack adjuster	7621801	152,4	-	1	9RR0016
9b	Washer Ø32	9813201	-	-	1	
9c	Retaining ring Ø32	58511	-	-	1	
10a	ABS sensor	73A08	-	-	1	9RT017
10b	Cage	73A09	-	-	1	
10c	Clamp	73A13	-	-	1	

(1) - From 200mm to 300mm step 25mm. From 300mm to 1200mm step 50mm.
 (2) - For axles produced from 2013. (3) - For axles produced till 2013.

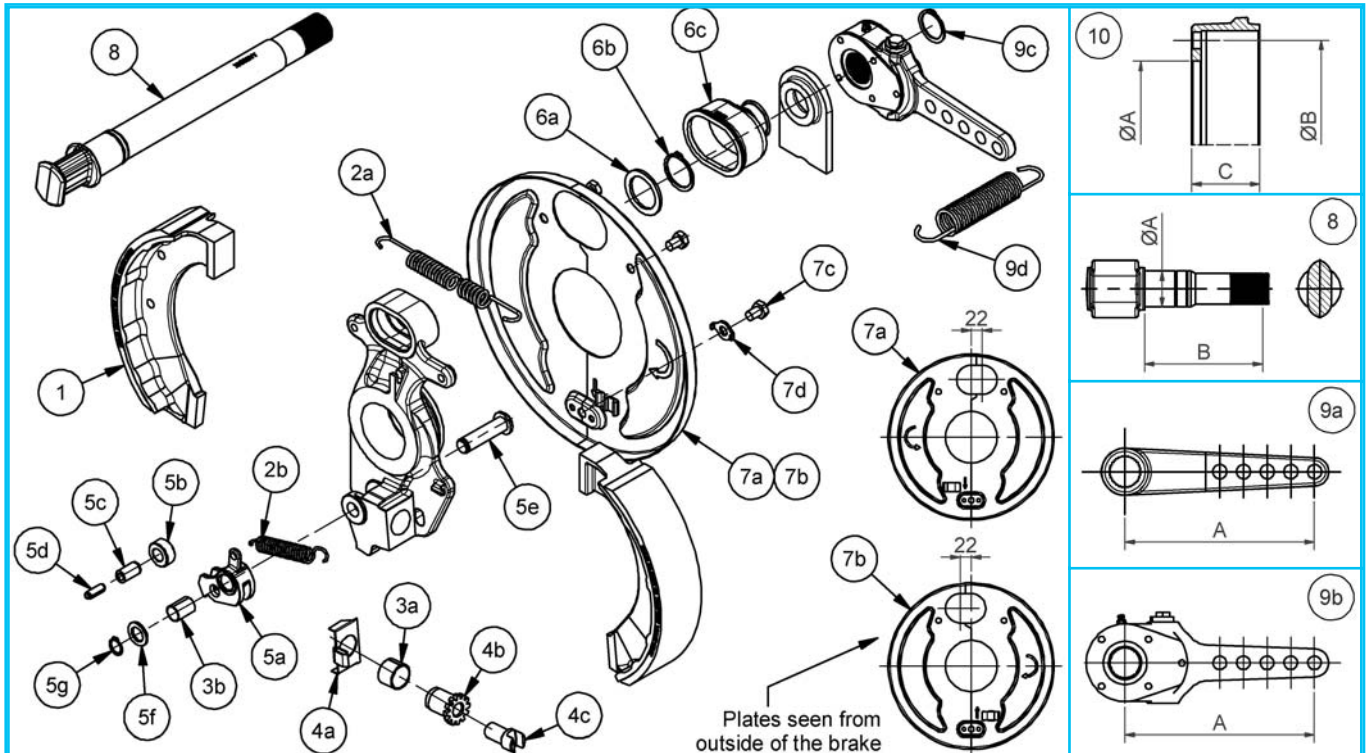


Item	Description	Code	A	B	C	Qty.	Kit code
1a	Brake shoe complete	732ZJ01	-	-	-	2	9RE0086
2a	Spring Ø5,2 L106	738128	-	-	-	2	
2b	Twist lock	736XC02	-	-	-	1	
2c	Spring Ø3,0 L138	738129	-	-	-	2	
3a	Bush Ø28/32 L40	771008	-	-	-	2	
1b	Brake lining	734ZJ01	-	-	-	4	9RH0030
2a	Spring Ø5,2 L106	738128	-	-	-	2	
2b	Twist lock	736XC02	-	-	-	1	
2c	Spring Ø3,0 L138	738129	-	-	-	2	
1c	Rivet	96701	-	-	-	42	9RK0016
2a	Spring Ø5,2 L106	738128	-	-	-	4	
2c	Spring Ø3,0 L138	738129	-	-	-	4	
1d	Roll Ø32	73BVC01	-	-	-	2	9RE0084
1e	Spring	738127	-	-	-	2	
3a	Bush Ø28/32 L40	771008	-	-	-	2	9RL0026
3b	Camshaft bush Ø42	771007	-	-	-	1	
3c	Seal Ø42	5490501	-	-	-	2	
3d	Washer Ø42	73G01	-	-	-	2	
3e	Retaining ring Ø42	58514	-	-	-	1	
3f	Rubber cover	53A11	-	-	-	1	
3g	Clamp	98E01	-	-	-	1	
3h	Grease nipple M8X1,25	98608A1	-	-	-	1	9RM020
4a	Protection plate with rubber caps	743ZES513	-	-	-	1	
4b	Square seal	747A112	110	-	-	2	
4c	Spacer L51	57708A1	-	-	-	2	
4d	Spacer L99	57712B1	-	-	-	2	
4e	Nut M8X1,25	97708A1	-	-	-	4	9RM021
4a	Protection plate with rubber caps	743ZES513	-	-	-	1	
4b	Square seal	747A542	150	-	-	2	
4c	Spacer L51	57708A1	-	-	-	2	
4d	Spacer L99	57712B1	-	-	-	2	
4e	Nut M8X1,25	97708A1	-	-	-	4	



Item	Description	Code	A	B	C	Qty.	Kit code
5a	Camshaft bush assembled	74417U01	61,5	61,5	-	1	9RL010
5c	Screw M8X1,25 L25	96108A0251	-	-	-	4	
5d	Washer Ø8	9810081	-	-	-	4	
5e	Elastic washer Ø8	9830081	-	-	-	4	
5f	Nut M8X1,25	97108A1	-	-	-	4	
5b	Camshaft bush assembled	7480703	92	20	-	2	(2) 9RL006
5c	Screw M8X1,25 L25	96108A0251	-	-	-	8	
5d	Washer Ø8	9810081	-	-	-	8	
5f	Nut M8X1,25	97108A1	-	-	-	8	
6a	Right camshaft	75P4062...	42	(1) ≤300	-	1	75P4062...
	Right camshaft	75P4063...	42	(1) >300	-	1	75P4063...
6b	Left camshaft	75Q4062...	42	(1) ≤300	-	1	75Q4062...
	Left camshaft	75Q4063...	42	(1) >300	-	1	75Q4063...
7a	Slack adjuster	7621603	203	-	-	1	9RR0010
7c	Washer Ø26	9812601	-	-	-	1	
7d	Retaining ring Ø25	58508	-	-	-	1	
7e	Spring Ø3,5 L173	738201	-	-	-	1	
7b	Automatic slack adjuster	7631606	180	-	-	1	9RS0018
7c	Washer Ø26	9812601	-	-	-	1	
7d	Retaining ring Ø25	58508	-	-	-	1	
7e	Spring Ø2,8 L145	738203	-	-	-	1	
7f	Setting plate	76A12	-	-	-	1	
5c	Screw M8X1,25 L25	96108A0251	-	-	-	2	
5d	Washer Ø8	9810081	-	-	-	2	
5e	Elastic washer Ø8	9830081	-	-	-	2	
5f	Nut M8X1,25	97108A1	-	-	-	2	
8	Drum 10 holes for M22X1,5	66LZC1001	280	335	255	1	66LZC1001

(1) - From 200mm to 300mm step 25mm. From 300mm to 1200mm step 50mm.
 (2) - For axles produced till 2012.



Item	Description	Code	A	B	C	Qty.	Kit code
1	Brake shoe	732FS01	-	-	-	2	
2a	Spring Ø3,2 L170	738112	-	-	-	1	9RE0124
2b	Spring Ø2,5 L75	738135	-	-	-	1	
2a	Spring Ø3,2 L170	738112	-	-	-	2	9RK0024
2b	Spring Ø2,5 L75	738135	-	-	-	2	
3a	Bush Ø25/28 L20	772252002	-	-	-	2	
3b	Bush Ø16/18 L25	772162501	-	-	-	2	9RL005
3a	Bush Ø25/28 L20	772252002	-	-	-	2	
4a	Spring	738901	-	-	-	2	9RL003
4b	Ram	73CIT01	-	-	-	2	
4c	Fork	73CIT02	-	-	-	2	
3b	Bush Ø16/18 L25	772162501	-	-	-	2	
5a	Compensator	73CIT04	-	-	-	2	
5b	Roll Ø28	737IT01	-	-	-	2	
5c	Elastic pin Ø14 L24	58401	-	-	-	2	9RL012
5d	Elastic pin Ø8 L24	58413	-	-	-	2	
5e	Pin Ø16 L60	73CIR01	-	-	-	2	
5f	Washer Ø16	9811701	-	-	-	2	
5g	Retaining ring Ø16	58531	-	-	-	2	
6a	Washer Ø38	73G02	-	-	-	2	
6b	Retaining ring Ø38	58513	-	-	-	2	9RL0034
6c	Rubber cover	53A12	-	-	-	2	
7a	Protection plate - right side	743FSZZF2	-	-	-	1	
7c	Screw M10x1,5 L14	96110B0141	-	-	-	3	9RM064
7d	Lock washer Ø10	57B1001	-	-	-	1	
7b	Protection plate - left side	743FSZZG2	-	-	-	1	
7c	Screw M10x1,5 L14	96110B0141	-	-	-	3	9RM066
7d	Lock washer Ø10	57B1001	-	-	-	1	
8	Camshaft	7503552...	38	(1) ≤300	-	1	7503552...
	Camshaft	7503553...	38	(1) >300	-	1	7503553...
9a	Lever	7611503	200	-	-	2	9RQ0012
9c	Retaining ring Ø32	58511	-	-	-	2	
9b	Slack adjuster	7621501	200	-	-	1	
9c	Retaining ring Ø32	58511	-	-	-	1	9RR0012
9d	Spring Ø3,5 L173	738201	-	-	-	1	
10	Drum 6 holes for M18X1,5	66LFG0602	160	205	90	1	66LFG0602
	Drum 8 holes for M20X1,5	66LFG0801	220	275	90	1	66LFG0801

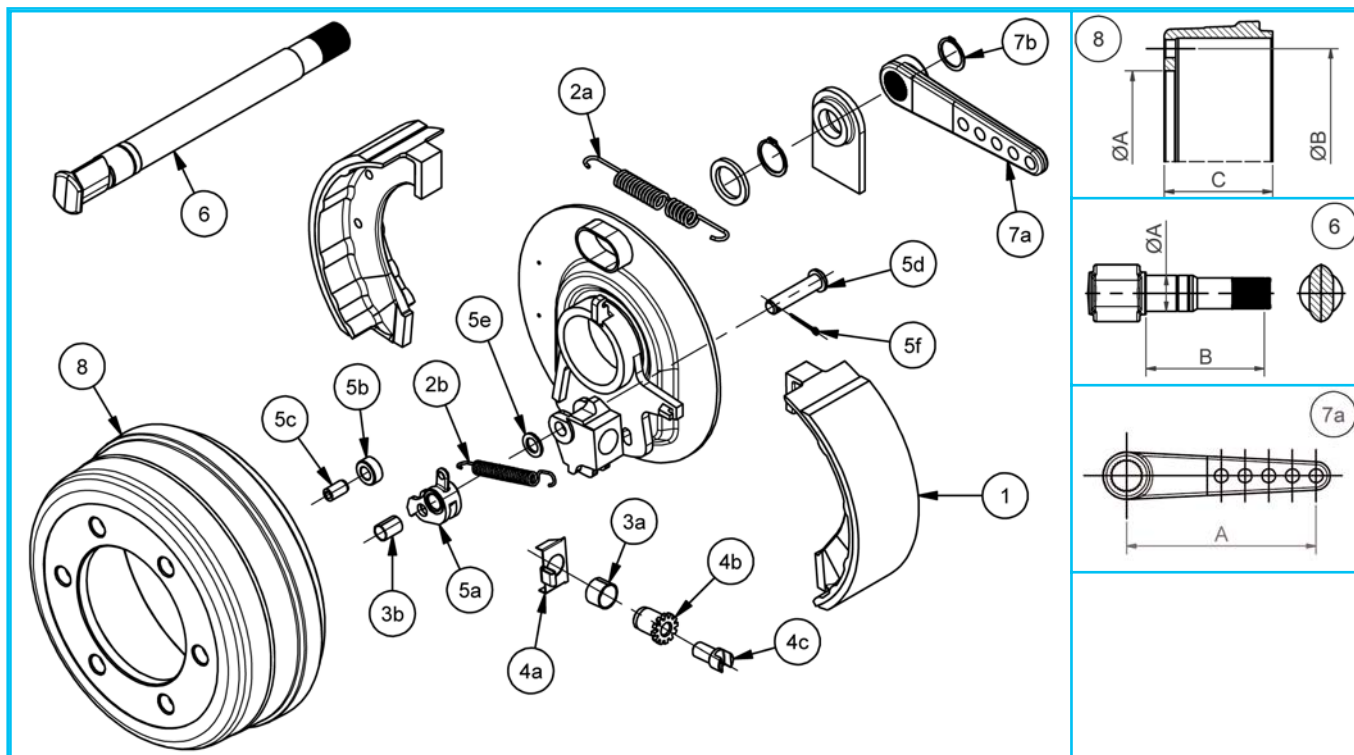
(1) - From 150mm to 300mm step 25mm. From 300mm to 1200mm step 50mm.

Autoreverse brake 300X90 - 309R - IT

For axles produced till 2016



ADR - RC09/2021

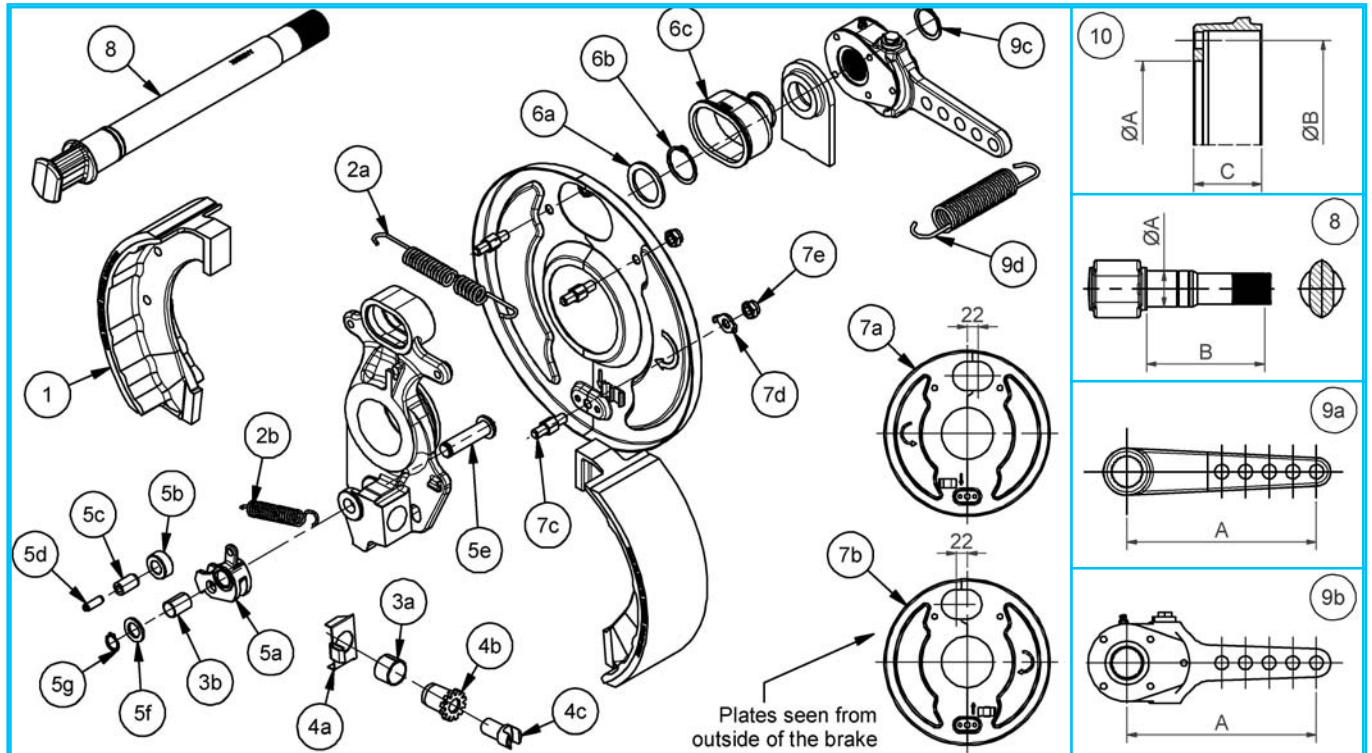


Item	Description	Code	A	B	C	Qty.	Kit code
1	Brake shoe	732IT02	-	-	-	2	9RE0080
2a	Spring Ø3,2 L170	738112	-	-	-	1	
2b	Spring Ø2,5 L110	738111	-	-	-	1	
2a	Spring Ø3,2 L170	738112	-	-	-	2	9RK0012
2b	Spring Ø2,5 L110	738111	-	-	-	2	
3a	Bush Ø25/28 L20	772252002	-	-	-	2	9RL005
3b	Bush Ø16/18 L25	772162501	-	-	-	2	
3a	Bush Ø25/28 L20	772252002	-	-	-	2	9RL003
4a	Spring	738901	-	-	-	2	
4b	Ram	73CIT01	-	-	-	2	
4c	Fork	73CIT02	-	-	-	2	
3b	Bush Ø16/18 L25	772162501	-	-	-	2	9RL004
5a	Compensator	73CIT04	-	-	-	2	
5b	Roll Ø28	737IT01	-	-	-	2	
5c	Elastic pin Ø14 L24	58401	-	-	-	2	
5d	Pin Ø16 L70	73CIT03	-	-	-	2	
5e	Washer Ø16	9811701	-	-	-	2	
5f	Split pin Ø3,2 L25	58104	-	-	-	2	7593552...
6	Camshaft	7593552...	36	(1) ≤300	-	1	
6	Camshaft	7593553...	36	(1) >300	-	1	7593553...
7a	Lever	7611503	200	-	-	2	9RQ0012
7b	Retaining ring Ø32	58511	-	-	-	2	
8	Drum 6 holes for M18X1,5	66LJB0605	160	205	132	1	66LJB0605
	Drum 8 holes for M20X1,5	66LJB0804	220	275	132	1	66LJB0804

(1) - From 150mm to 300mm step 25mm. From 300mm to 1200mm step 50mm.

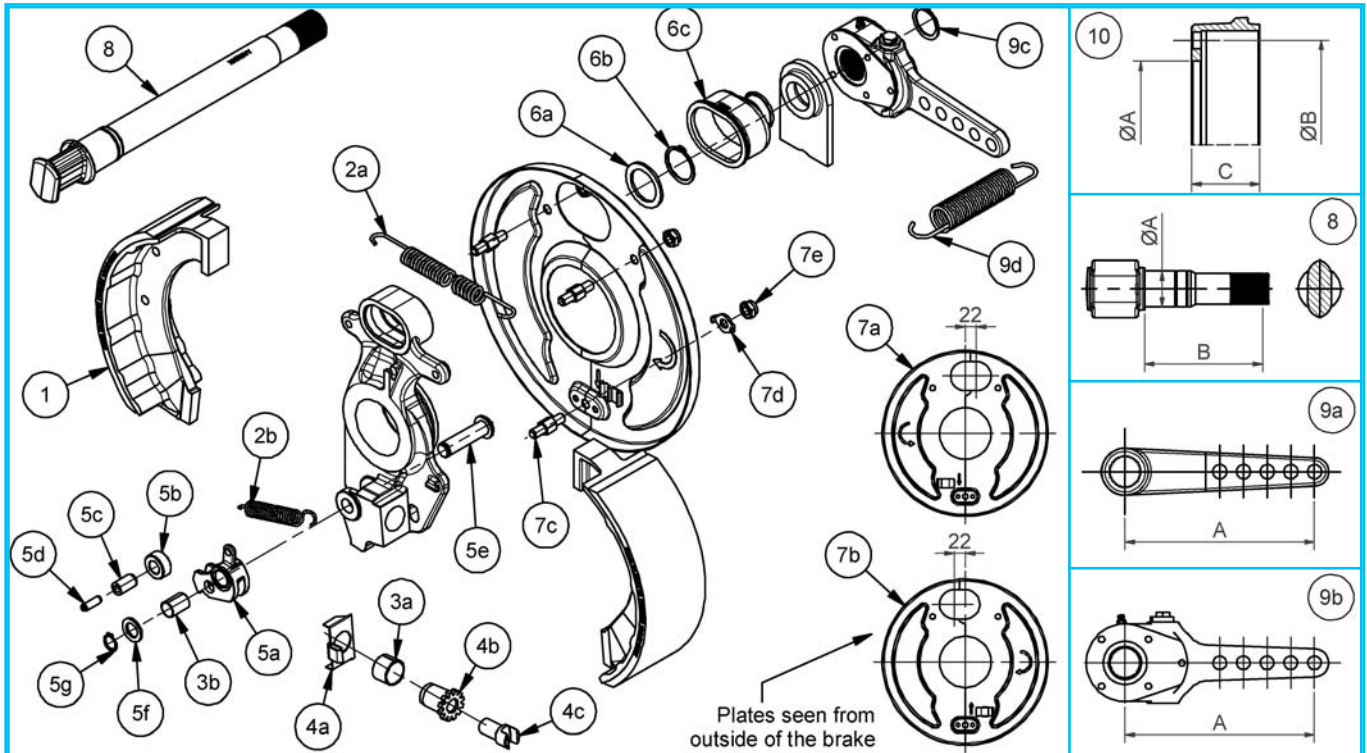
Autoreverse brake 300X90 - 309R - IT

For axles produced from 2016



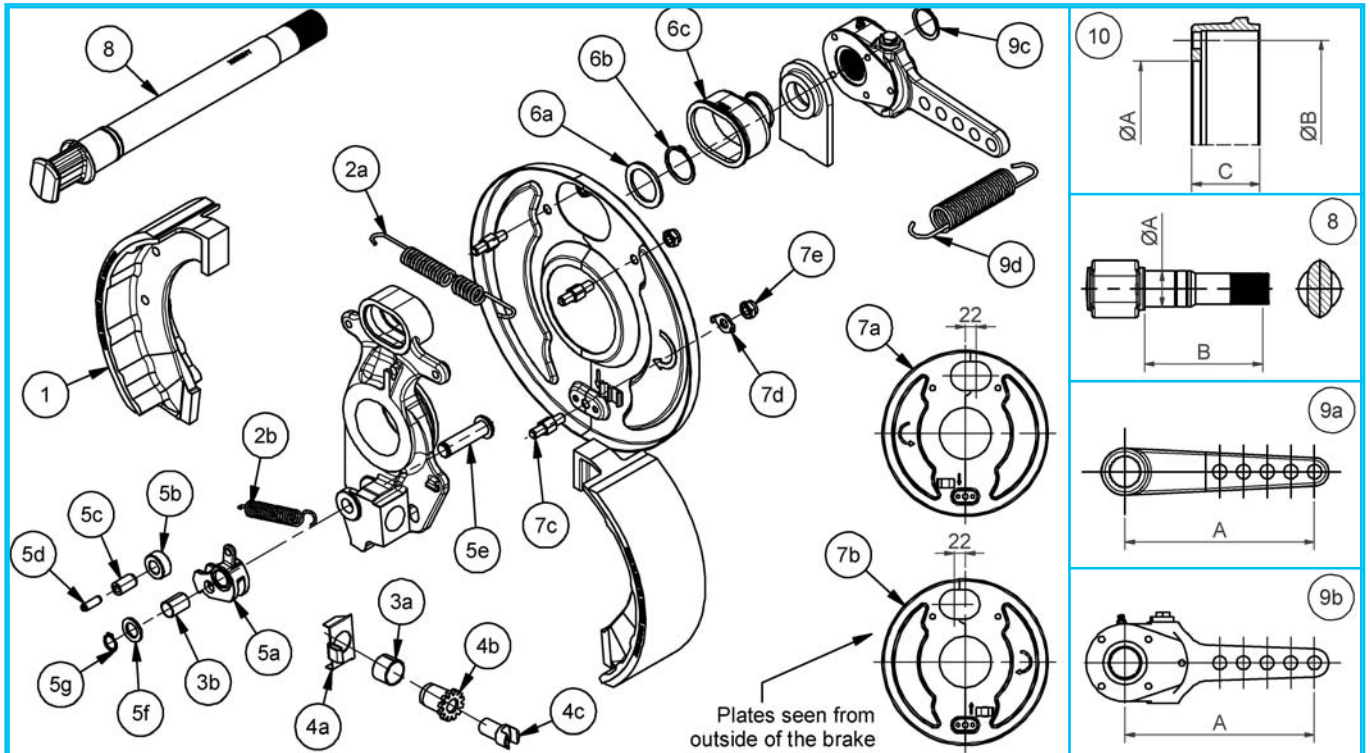
Item	Description	Code	A	B	C	Qty.	Kit code
1	Brake shoe	732IT02	-	-	-	2	
2a	Spring Ø3,2 L170	738112	-	-	-	1	9RE0079
2b	Spring Ø2,5 L75	738135	-	-	-	1	
2a	Spring Ø3,2 L170	738112	-	-	-	2	9RK0024
2b	Spring Ø2,5 L75	738135	-	-	-	2	
3a	Bush Ø25/28 L20	772252002	-	-	-	2	9RL005
3b	Bush Ø16/18 L25	772162501	-	-	-	2	
3a	Bush Ø25/28 L20	772252002	-	-	-	2	
4a	Spring	738901	-	-	-	2	9RL003
4b	Ram	73CIT01	-	-	-	2	
4c	Fork	73CIT02	-	-	-	2	
3b	Bush Ø16/18 L25	772162501	-	-	-	2	
5a	Compensator	73CIT04	-	-	-	2	
5b	Roll Ø28	737IT01	-	-	-	2	9RL012
5c	Elastic pin Ø14 L24	58401	-	-	-	2	
5d	Elastic pin Ø8 L24	58413	-	-	-	2	
5e	Pin Ø16 L60	73CIR01	-	-	-	2	
5f	Washer Ø16	9811701	-	-	-	2	
5g	Retaining ring Ø16	58531	-	-	-	2	
6a	Washer Ø38	73G02	-	-	-	2	
6b	Retaining ring Ø38	58513	-	-	-	2	9RL0034
6c	Rubber cover	53A12	-	-	-	2	
7a	Protection plate - right side	743IRZZF2	-	-	-	1	
7c	Spacer L46	57710B13	-	-	-	3	9RM068
7d	Lock washer Ø10	57B1001	-	-	-	1	
7e	Nut M10x1,5	97510B1	-	-	-	3	
7b	Protection plate - left side	743IRZZG2	-	-	-	1	
7c	Spacer L46	57710B13	-	-	-	3	9RM070
7d	Lock washer Ø10	57B1001	-	-	-	1	
7e	Nut M10x1,5	97510B1	-	-	-	3	
8	Camshaft	7503552...	38	(1) ≤300	-	1	7503552...
	Camshaft	7503553...	38	(1) >300	-	1	7503553...
9a	Lever	7611503	200	-	-	2	9RQ0012
9c	Retaining ring Ø32	58511	-	-	-	2	
9b	Slack adjuster	7621501	200	-	-	1	
9c	Retaining ring Ø32	58511	-	-	-	1	9RR0012
9d	Spring Ø3,5 L173	738201	-	-	-	1	
10	Drum 6 holes for M18X1,5	66LJB0605	160	205	132	1	66LJB0605
	Drum 8 holes for M20X1,5	66LJB0804	220	275	132	1	66LJB0804

(1) - From 150mm to 300mm step 25mm. From 300mm to 1200mm step 50mm.



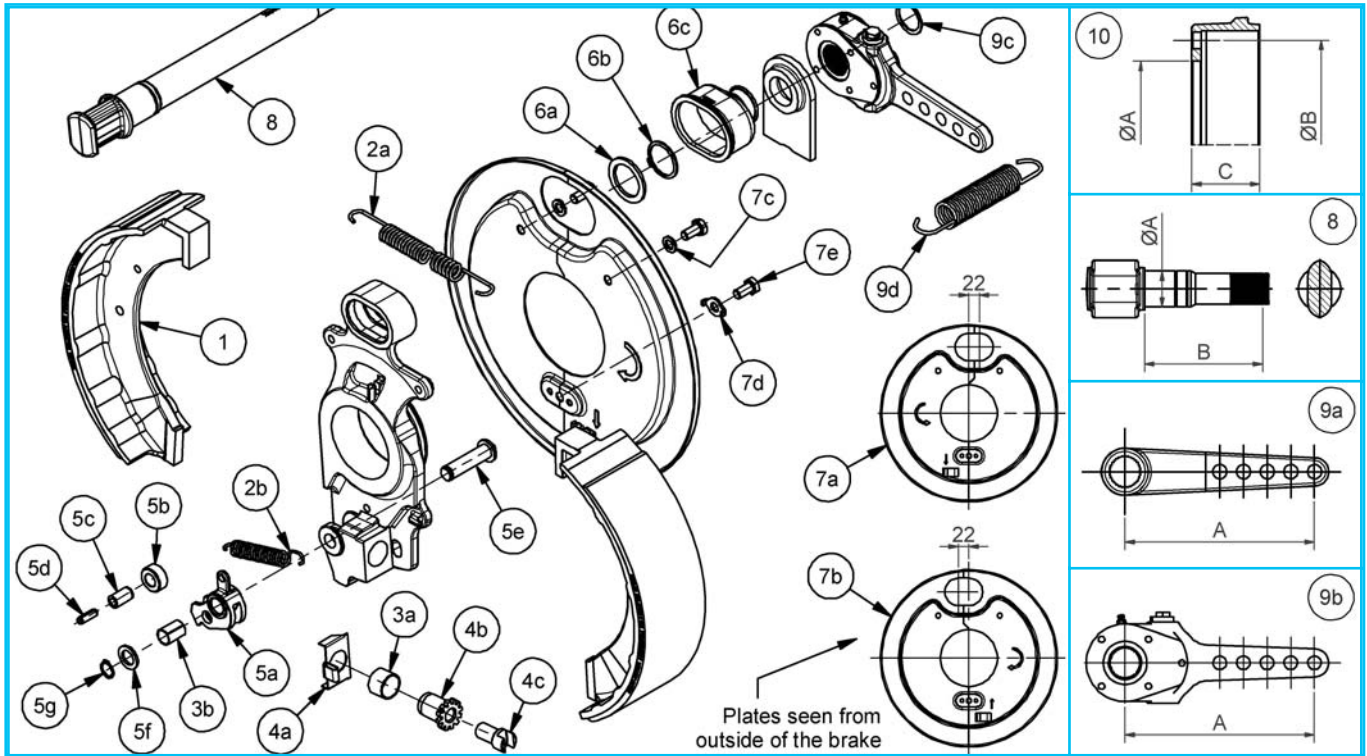
Item	Description	Code	A	B	C	Qty.	Kit code
1	Brake shoe	732IR01	-	-	-	2	
2a	Spring Ø3,2 L170	738112	-	-	-	1	9RE0126
2b	Spring Ø2,5 L75	738135	-	-	-	1	
2a	Spring Ø3,2 L170	738112	-	-	-	2	9RK0024
2b	Spring Ø2,5 L75	738135	-	-	-	2	
3a	Bush Ø25/28 L20	772252002	-	-	-	2	9RL005
3b	Bush Ø16/18 L25	772162501	-	-	-	2	
3a	Bush Ø25/28 L20	772252002	-	-	-	2	
4a	Spring	738901	-	-	-	2	9RL003
4b	Ram	73CIT01	-	-	-	2	
4c	Fork	73CIT02	-	-	-	2	
3b	Bush Ø16/18 L25	772162501	-	-	-	2	
5a	Compensator	73CIT04	-	-	-	2	
5b	Roll Ø28	737IT01	-	-	-	2	
5c	Elastic pin Ø14 L24	58401	-	-	-	2	9RL012
5d	Elastic pin Ø8 L24	58413	-	-	-	2	
5e	Pin Ø16 L60	73CIR01	-	-	-	2	
5f	Washer Ø16	9811701	-	-	-	2	
5g	Retaining ring Ø16	58531	-	-	-	2	
6a	Washer Ø38	73G02	-	-	-	2	
6b	Retaining ring Ø38	58513	-	-	-	2	9RL0034
6c	Rubber cover	53A12	-	-	-	2	
7a	Protection plate - right side	743IRZZF2	-	-	-	1	
7c	Spacer L46	57710B13	-	-	-	3	9RM068
7d	Lock washer Ø10	57B1001	-	-	-	1	
7e	Nut M10x1,5	97510B1	-	-	-	3	
7b	Protection plate - left side	743IRZZG2	-	-	-	1	
7c	Spacer L46	57710B13	-	-	-	3	9RM070
7d	Lock washer Ø10	57B1001	-	-	-	1	
7e	Nut M10x1,5	97510B1	-	-	-	3	
8	Camshaft	7503552...	38	(1) ≤300	-	1	7503552...
	Camshaft	7503553...	38	(1) >300	-	1	7503553...
9a	Lever	7611503	200	-	-	2	9RQ0012
9c	Retaining ring Ø32	58511	-	-	-	2	
9b	Slack adjuster	7621501	200	-	-	1	
9c	Retaining ring Ø32	58511	-	-	-	1	9RR0012
9d	Spring Ø3,5 L173	738201	-	-	-	1	
10	Drum 6 holes for M18X1,5	66LJB0605	160	205	132	1	66LJB0605
	Drum 8 holes for M20X1,5	66LJB0804	220	275	132	1	66LJB0804

(1) - From 150mm to 300mm step 25mm. From 300mm to 1200mm step 50mm.



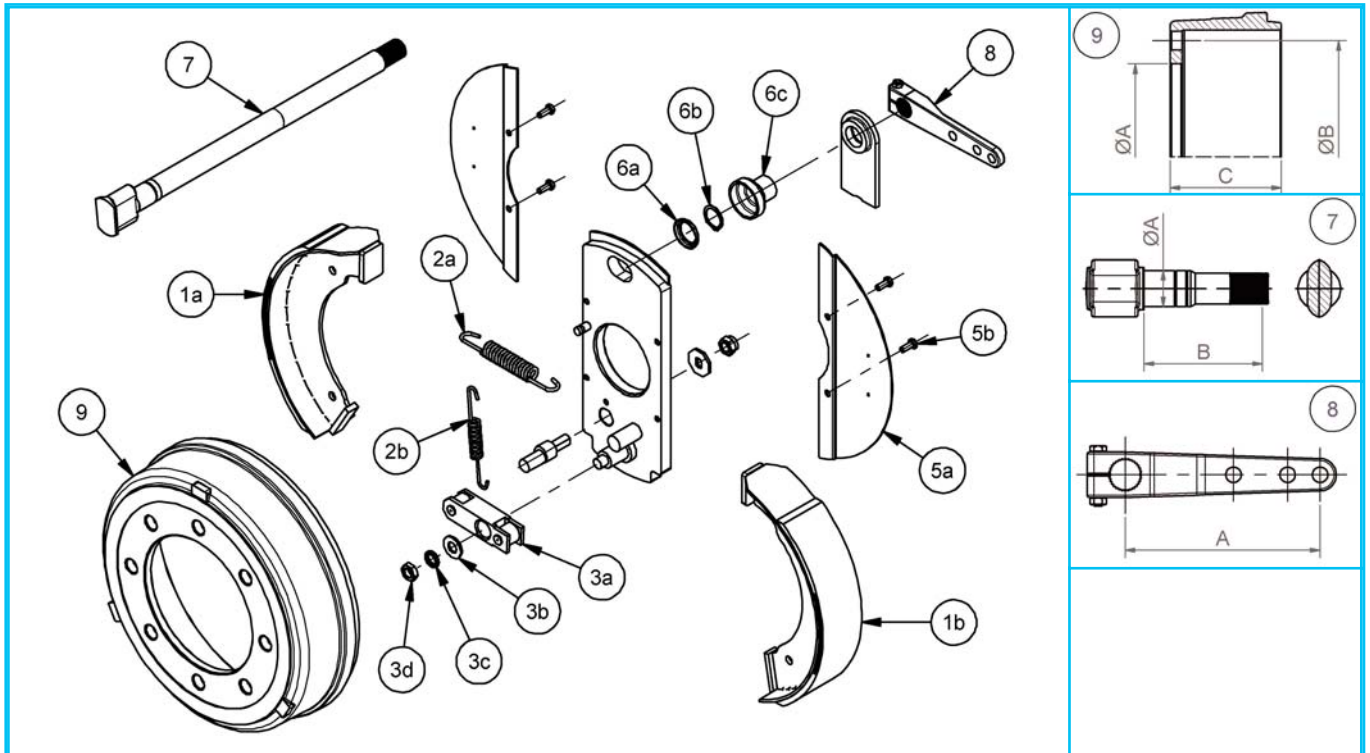
Item	Description	Code	A	B	C	Qty.	Kit code
1	Brake shoe	732IM01	-	-	-	2	
2a	Spring Ø3,2 L170	738112	-	-	-	1	9RE0140
2b	Spring Ø2,5 L75	738135	-	-	-	1	
2a	Spring Ø3,2 L170	738112	-	-	-	2	9RK0024
2b	Spring Ø2,5 L75	738135	-	-	-	2	
3a	Bush Ø25/28 L20	772252002	-	-	-	2	9RL005
3b	Bush Ø16/18 L25	772162501	-	-	-	2	
3a	Bush Ø25/28 L20	772252002	-	-	-	2	
4a	Spring	738901	-	-	-	2	9RL003
4b	Ram	73CIT01	-	-	-	2	
4c	Fork	73CIT02	-	-	-	2	
3b	Bush Ø16/18 L25	772162501	-	-	-	2	
5a	Compensator	73CIT04	-	-	-	2	
5b	Roll Ø28	737IT01	-	-	-	2	9RL012
5c	Elastic pin Ø14 L24	58401	-	-	-	2	
5d	Elastic pin Ø8 L24	58413	-	-	-	2	
5e	Pin Ø16 L60	73CIR01	-	-	-	2	
5f	Washer Ø16	9811701	-	-	-	2	
5g	Retaining ring Ø16	58531	-	-	-	2	
6a	Washer Ø38	73G02	-	-	-	2	
6b	Retaining ring Ø38	58513	-	-	-	2	9RL0034
6c	Rubber cover	53A12	-	-	-	2	
7a	Protection plate - right side	743IRZZF2	-	-	-	1	
7c	Spacer L46	57710B13	-	-	-	3	9RM068
7d	Lock washer Ø10	57B1001	-	-	-	1	
7e	Nut M10x1,5	97510B1	-	-	-	3	
7b	Protection plate - left side	743IRZZG2	-	-	-	1	
7c	Spacer L46	57710B13	-	-	-	3	9RM070
7d	Lock washer Ø10	57B1001	-	-	-	1	
7e	Nut M10x1,5	97510B1	-	-	-	3	
8	Camshaft	7503552...	38	(1) ≤300	-	1	7503552...
	Camshaft	7503553...	38	(1) >300	-	1	7503553...
9a	Lever	7611503	200	-	-	2	9RQ0012
9c	Retaining ring Ø32	58511	-	-	-	2	
9b	Slack adjuster	7621501	200	-	-	1	
9c	Retaining ring Ø32	58511	-	-	-	1	9RR0012
9d	Spring Ø3,5 L173	738201	-	-	-	1	
10	Drum 6 holes for M18X1,5	66LJB0605	160	205	132	1	66LJB0605
	Drum 8 holes for M20X1,5	66LJB0804	220	275	132	1	66LJB0804

(1) - From 150mm to 300mm step 25mm. From 300mm to 1200mm step 50mm.



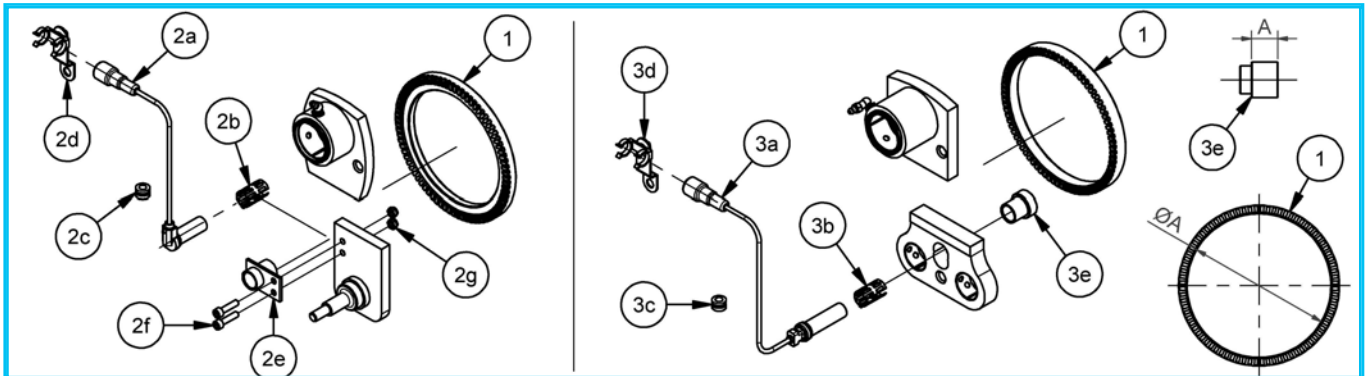
Item	Description	Code	A	B	C	Qty.	Kit code
1	Brake shoe	732QR01	-	-	-	2	
2a	Spring Ø3,2 L170	738112	-	-	-	1	9RE0128
2b	Spring Ø2,5 L75	738135	-	-	-	1	
2a	Spring Ø3,2 L170	738112	-	-	-	2	9RK0024
2b	Spring Ø2,5 L75	738135	-	-	-	2	
3a	Bush Ø25/28 L20	772252002	-	-	-	2	9RL005
3b	Bush Ø16/18 L25	772162501	-	-	-	2	
3a	Bush Ø25/28 L20	772252002	-	-	-	2	
4a	Spring	738901	-	-	-	2	9RL003
4b	Ram	73CIT01	-	-	-	2	
4c	Fork	73CIT02	-	-	-	2	
3b	Bush Ø16/18 L25	772162501	-	-	-	2	
5a	Compensator	73CIT04	-	-	-	2	
5b	Roll Ø28	737IT01	-	-	-	2	9RL012
5c	Elastic pin Ø14 L24	58401	-	-	-	2	
5d	Elastic pin Ø8 L24	58413	-	-	-	2	
5e	Pin Ø16 L60	73CIR01	-	-	-	2	
5f	Washer Ø16	9811701	-	-	-	2	
5g	Retaining ring Ø16	58531	-	-	-	2	
6a	Washer Ø38	73G02	-	-	-	2	9RL0034
6b	Retaining ring Ø38	58513	-	-	-	2	
6c	Rubber cover	53A12	-	-	-	2	
7a	Protection plate - right side	743QRB2F2	-	-	-	1	
7c	Elastic washer Ø10	9830101	-	-	-	2	9RM072
7d	Lock washer Ø10	57B1001	-	-	-	1	
7e	Screw M10x1,5 L20	96110B0201	-	-	-	3	
7b	Protection plate - left side	743QRB2G2	-	-	-	1	
7c	Elastic washer Ø10	9830101	-	-	-	2	9RM074
7d	Lock washer Ø10	57B1001	-	-	-	1	
7e	Screw M10x1,5 L20	96110B0201	-	-	-	3	
8	Camshaft	7503552...	38	(1) ≤300	-	1	7503552...
	Camshaft	7503553...	38	(1) >300	-	1	7503553...
9a	Lever	7611503	200	-	-	2	9RQ0012
9c	Retaining ring Ø32	58511	-	-	-	2	
9b	Slack adjuster	7621501	200	-	-	1	
9c	Retaining ring Ø32	58511	-	-	-	1	9RR0012
9d	Spring Ø3,5 L173	738201	-	-	-	1	
10	Drum 6 holes for M18X1,5	66LQC0602	160	205	150	1	66LQC0602
	Drum 8 holes for M20X1,5	66LQC0802	220	275	150	1	66LQC0802

(1) - From 150mm to 300mm step 25mm. From 300mm to 1200mm step 50mm.



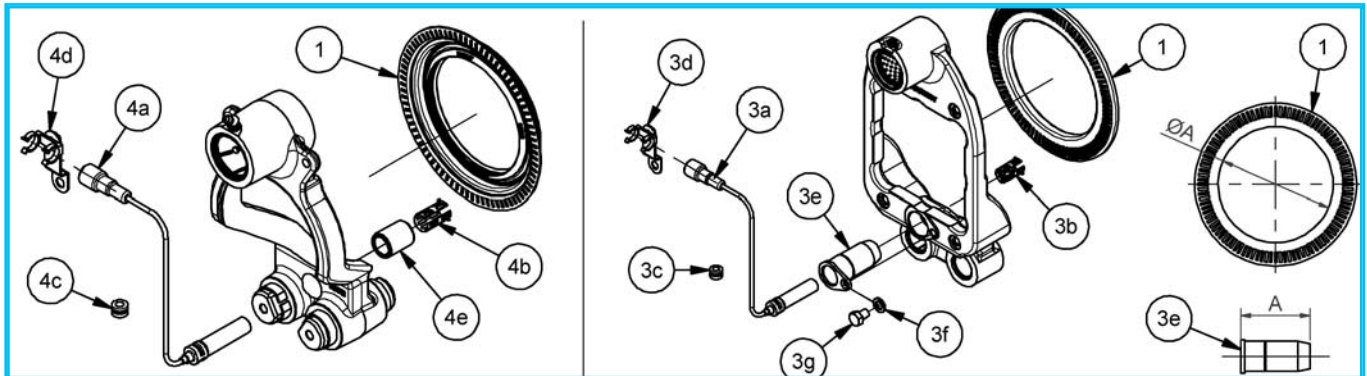
Item	Description	Code	A	B	C	Qty.	Kit code
1a	Brake shoe	9FCI40GRMP	-	-	-	1	9RE0088
1b	Brake shoe	9FCI40GRMA	-	-	-	1	
2a	Spring Ø4,5 L162	738117	-	-	-	1	
2b	Spring Ø3,5 L170	738109	-	-	-	1	9RK0018
2a	Spring Ø4,5 L162	738117	-	-	-	2	
2b	Spring Ø3,5 L170	738109	-	-	-	2	9RL007
3a	Compensator	914BIL6C	-	-	-	2	
3b	Washer Ø16	9811702	-	-	-	2	
3c	Elastic washer Ø16	9800161	-	-	-	2	
3d	Nut M16X2	914D16B	-	-	-	2	9RM022
5a	Half plate	910PP40RM	-	-	-	2	
5b	Screw M8X1,25 L20	914V8X20	-	-	-	2	9RL0028
6a	Cap Ø33	73F03	-	-	-	2	
6b	Retaining ring Ø32	58511	-	-	-	2	
6c	Rubber cover	53A06	-	-	-	2	759032Z...
7	Camshaft	759032Z...	33	(1)	-	1	
8	Lever with bolt	760H18003C0	180	-	-	2	
	Lever with bolt	760H24004C0	240	-	-	2	9RQ0010
9	Drum 6 holes for M18X1,5	66LTG0602	160	205	118	1	66LTG0602
	Drum 8 holes for M20X1,5	66LTG0801	220	275	118	1	66LTG0801
	Drum 10 holes for M22X1,5	66LTG1001	280	335	118	1	66LTG1001

(1) - From 100mm to 1200mm step 50mm.

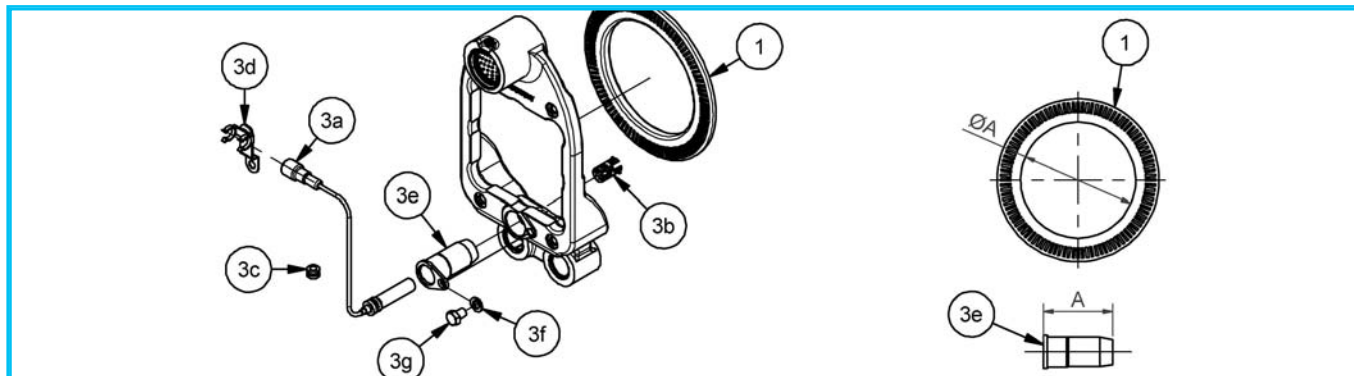


Brake	Axle type	Item	Description	Code	A	Qty.	Kit code
300x100 - JB - JF -	NI	1	Phonic wheel, 80 teeth	739102	134	1	9RT007
		2a	Sensor	73A16	-	1	
		2b	Cage	73A09	-	1	
		2c	Fairlead	73A01	-	1	
		2d	Clamp	73A13	-	1	
		2e	Sleeve	73A22	-	1	
		2f	Screw M6X1,00 L25	9630610251	-	2	
		2g	Nut M6X1,00	9750611	-	2	
300x100 - JB - JF -	QI	1	Phonic wheel, 80 teeth	739103	142	1	9RT012
		2a	Sensor	73A16	-	1	
		2b	Cage	73A09	-	1	
		2c	Fairlead	73A01	-	1	
		2d	Clamp	73A13	-	1	
		2e	Sleeve	73A22	-	1	
		2f	Screw M6X1,00 L25	9630610251	-	2	
		2g	Nut M6X1,00	9750611	-	2	
300x100 - JB - JF -	RM - RF	1	Phonic wheel, 80 teeth	739104	152	1	9RT013
		2a	Sensor	73A16	-	1	
		2b	Cage	73A09	-	1	
		2c	Fairlead	73A01	-	1	
		2d	Clamp	73A13	-	1	
		2e	Sleeve	73A22	-	1	
		2f	Screw M6X1,00 L25	9630610251	-	2	
		2g	Nut M6X1,00	9750611	-	2	
300x135 - KB - KF -	RM - RF TN - TF TE - TG UA - UF 1H - 4H	1	Phonic wheel, 80 teeth	739104	152	1	(1) 9RT005
		3a	Sensor	73A08	-	1	
		3b	Cage	73A09	-	1	
		3c	Fairlead	73A01	-	1	
		3d	Clamp	73A13	-	1	
		3e	Sleeve	773183002	11	1	
		3e	Sleeve	773183002	11	1	
300x135 - KB - KF -	UI 1P - 4P 1R - 4R	1	Phonic wheel, 80 teeth	739106	170	1	(1) 9RT014
		3a	Sensor	73A08	-	1	
		3b	Cage	73A09	-	1	
		3c	Fairlead	73A01	-	1	
		3d	Clamp	73A13	-	1	
		3e	Sleeve	773183002	11	1	
300x160 - PA - PG -	RM - RF TN - TF TE - TG UA - UF	1	Phonic wheel, 80 teeth	739104	152	1	(1) 9RT005
		3a	Sensor	73A08	-	1	
		3b	Cage	73A09	-	1	
		3c	Fairlead	73A01	-	1	
		3d	Clamp	73A13	-	1	
		3e	Sleeve	773183001	21	1	
		3e	Sleeve	773183001	21	1	
300x160 - PA - PG -	UI 1P - 4P 1R - 4R	1	Phonic wheel, 80 teeth	739106	170	1	(1) 9RT014
		3a	Sensor	73A08	-	1	
		3b	Cage	73A09	-	1	
		3c	Fairlead	73A01	-	1	
		3d	Clamp	73A13	-	1	
		3e	Sleeve	773183001	21	1	

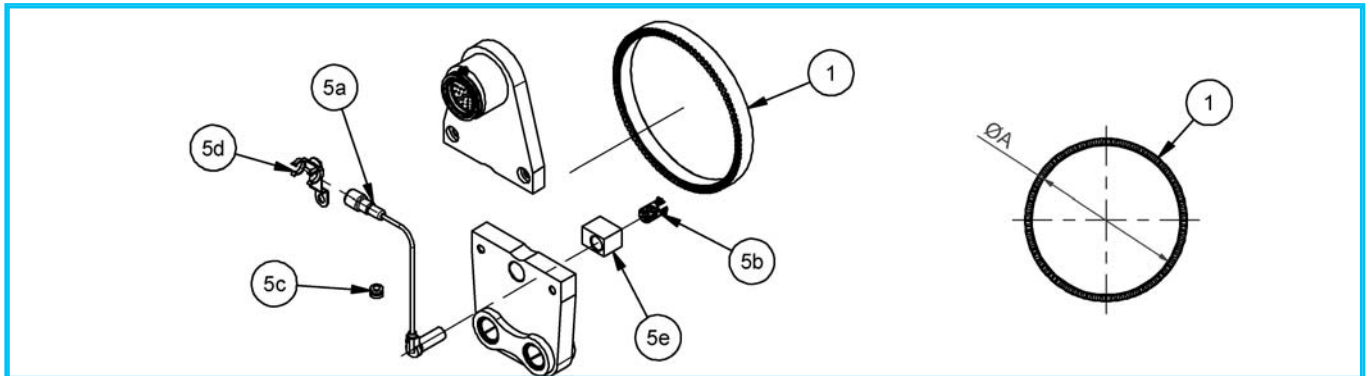
(1) - In the kit are included more sleeves for different brakes.



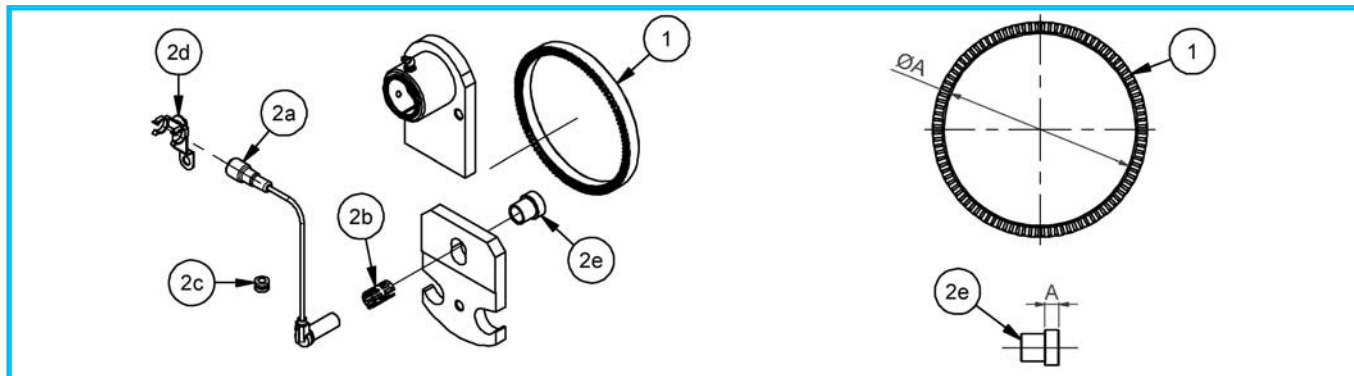
Brake	Axle type	Item	Description	Code	A	Qty.	Kit code
300x200 - MM -	60T	1	Phonic wheel, 80 teeth	5491452	-	1	9RT045
		4a	Sensor	73A08	-	1	
		4b	Cage	73A09	-	1	
		4c	Fairlead	73A01	-	1	
		4d	Clamp	73A13	-	1	
		4e	Sleeve	73A76	-	1	
406x120 - VC - 406x140 - WC -	TN - TF TE - TG UA - UF	1	Phonic wheel, 100 teeth	739129	152	1	9RT018 (For fixed axles)
		3a	Sensor	73A08	-	1	
		3b	Cage	73A09	-	1	
		3c	Fairlead	73A01	-	1	
		3d	Clamp	73A13	-	1	
		3e	Sleeve	73A58	73	1	
		3f	Elastic washer Ø10	9830101	-	1	
		3g	Screw M10x1,5 L14	96110B0141	-	1	
406x120 - VC - 406x140 - WC -	VF 1R - 4R 1T - 4T 1V - 4V	1	Phonic wheel, 100 teeth	739119	170	1	9RT011 (For fixed axles)
		3a	Sensor	73A08	-	1	
		3b	Cage	73A09	-	1	
		3c	Fairlead	73A01	-	1	
		3d	Clamp	73A13	-	1	
		3e	Sleeve	73A58	73	1	
		3f	Elastic washer Ø10	9830101	-	1	
		3g	Screw M10x1,5 L14	96110B0141	-	1	
420x180 - XC -	UA - UF	1	Phonic wheel, 100 teeth	739129	152	1	9RT010 (For fixed axles)
		3a	Sensor	73A08	-	1	
		3b	Cage	73A09	-	1	
		3c	Fairlead	73A01	-	1	
		3d	Clamp	73A13	-	1	
		3e	Sleeve	73A59	103	1	
		3f	Elastic washer Ø10	9830101	-	1	
		3g	Screw M10x1,5 L14	96110B0141	-	1	



Brake	Axle type	Item	Description	Code	A	Qty.	Kit code
420x180 - XC -	VF XL 1R - 4R 1T - 4T 1V - 4V	1	Phonic wheel, 100 teeth	739119	170	1	9RT036 (For fixed axles)
		3a	Sensor	73A08	-	1	
		3b	Cage	73A09	-	1	
		3c	Fairlead	73A01	-	1	
		3d	Clamp	73A13	-	1	
		3e	Sleeve	73A59	103	1	
		3f	Elastic washer Ø10	9830101	-	1	
		3g	Screw M10x1,5 L14	96110B0141	-	1	
420x200 - YC -	VF XL 1V - 4V	1	Phonic wheel, 100 teeth	739119	170	1	9RT035 (For fixed axles)
		3a	Sensor	73A08	-	1	
		3b	Cage	73A09	-	1	
		3c	Fairlead	73A01	-	1	
		3d	Clamp	73A13	-	1	
		3e	Sleeve	73A60	126	1	
		3f	Elastic washer Ø10	9830101	-	1	
		3g	Screw M10x1,5 L14	96110B0141	-	1	
406x140 - WC - 420x180 - XC -	1Y - 4Y	1	Phonic wheel, 100 teeth	739124	176	1	9RT034 (For fixed axles)
		3a	Sensor	73A08	-	1	
		3b	Cage	73A09	-	1	
		3c	Fairlead	73A01	-	1	
		3d	Clamp	73A13	-	1	
		3e	Sleeve	73A58	73	1	
		3f	Elastic washer Ø10	9830101	-	1	
		3g	Screw M10x1,5 L14	96110B0141	-	1	
420x200 - YC -	1Y - 4Y	1	Phonic wheel, 100 teeth	739124	176	1	9RT037 (For fixed axles)
		3a	Sensor	73A08	-	1	
		3b	Cage	73A09	-	1	
		3c	Fairlead	73A01	-	1	
		3d	Clamp	73A13	-	1	
		3e	Sleeve	73A59	103	1	
		3f	Elastic washer Ø10	9830101	-	1	
		3g	Screw M10x1,5 L14	96110B0141	-	1	



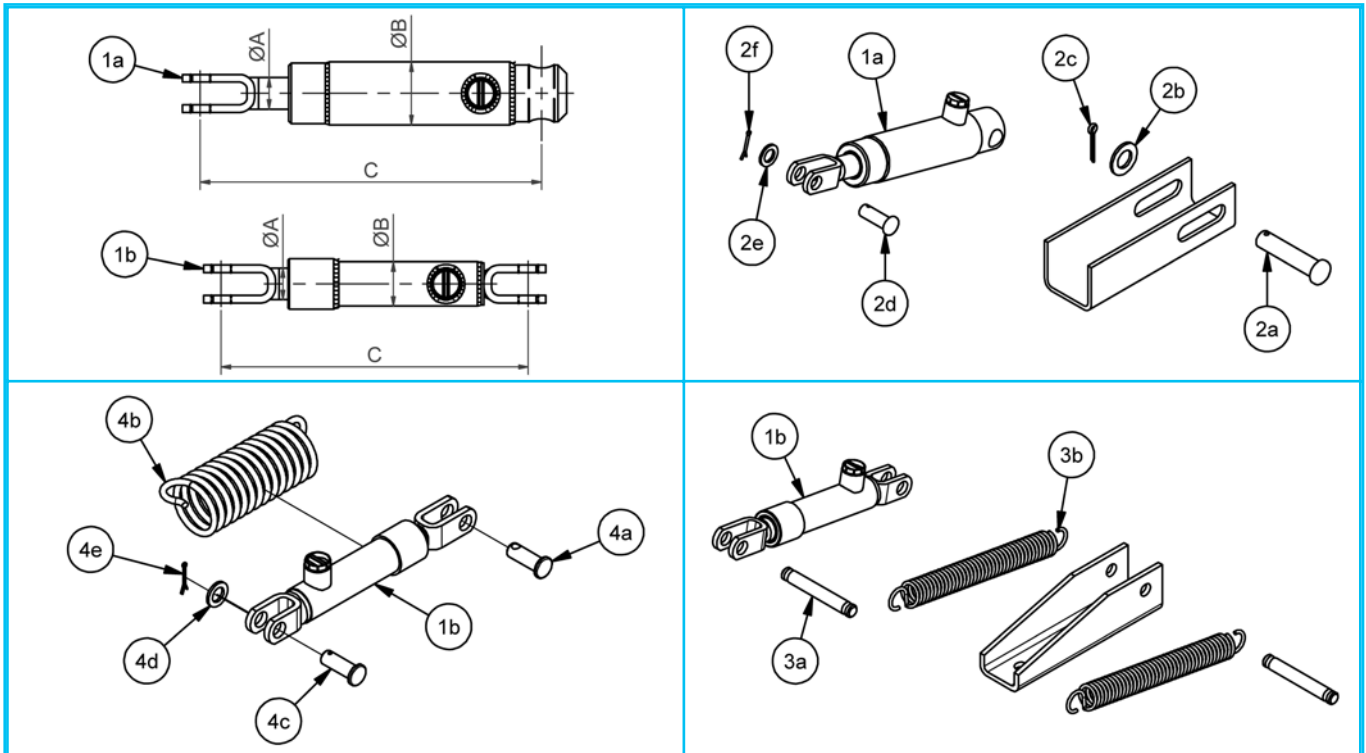
Brake	Axle type	Item	Description	Code	A	Qty.	Kit code
420x180 - XC - 420x200 - YC - 520x180 - ZE -	ZA	1	Phonic wheel, 100 teeth	739117	196	1	9RT032 (For fixed axles)
		5a	Sensor	73A16	-	1	
		5b	Cage	73A09	-	1	
		5c	Fairlead	73A01	-	1	
		5d	Clamp	73A13	-	1	
		5e	Support	73A28	-	1	
520x180 - ZE -	WA	1	Phonic wheel, 100 teeth	739144	250	1	9RT029 (For fixed axles)
		5a	Sensor	73A08	-	1	
		5b	Cage	73A09	-	1	
		5c	Fairlead	73A01	-	1	
		5d	Clamp	73A13	-	1	
		5e	Support	73A88	-	1	
520x180 - ZE -	1Y - 4Y	1	Phonic wheel, 100 teeth	739124	176	1	9RT046 (For fixed axles)
		5a	Sensor	73A08	-	1	
		5b	Cage	73A09	-	1	
		5c	Fairlead	73A01	-	1	
		5d	Clamp	73A13	-	1	
		5e	Support	73A95	-	1	



Brake	Axle type	Item	Description	Code	A	Qty.	Kit code
406x120 - VA -	TN - TF UA - UF	1	Phonic wheel, 100 teeth	739105	152	1	(1) 9RT006
		2a	Sensor	73A16	-	1	
		2b	Cage	73A09	-	1	
		2c	Fairlead	73A01	-	1	
		2d	Clamp	73A13	-	1	
		2e	Sleeve	773183002	11	1	
406x120 - VA -	TE - TG	1	Phonic wheel, 100 teeth	739105	152	1	(1) 9RT006
		2a	Sensor	73A16	-	1	
		2b	Cage	73A09	-	1	
		2c	Fairlead	73A01	-	1	
		2d	Clamp	73A13	-	1	
		2e	Sleeve	773183003	3	1	
406x120 - VA -	UI VI - VF	1	Phonic wheel, 100 teeth	739107	170	1	(1) 9RT002
		2a	Sensor	73A16	-	1	
		2b	Cage	73A09	-	1	
		2c	Fairlead	73A01	-	1	
		2d	Clamp	73A13	-	1	
		2e	Sleeve	773183002	11	1	
406x140 - WA -	TN - TF TE - TG UA - UF	1	Phonic wheel, 100 teeth	739105	152	1	(1) 9RT006
		2a	Sensor	73A16	-	1	
		2b	Cage	73A09	-	1	
		2c	Fairlead	73A01	-	1	
		2d	Clamp	73A13	-	1	
		2e	Sleeve	773183003	3	1	
406x140 - WA -	UI VI - VF	1	Phonic wheel, 100 teeth	739107	170	1	(1) 9RT002
		2a	Sensor	73A16	-	1	
		2b	Cage	73A09	-	1	
		2c	Fairlead	73A01	-	1	
		2d	Clamp	73A13	-	1	
		2e	Sleeve	773183003	3	1	

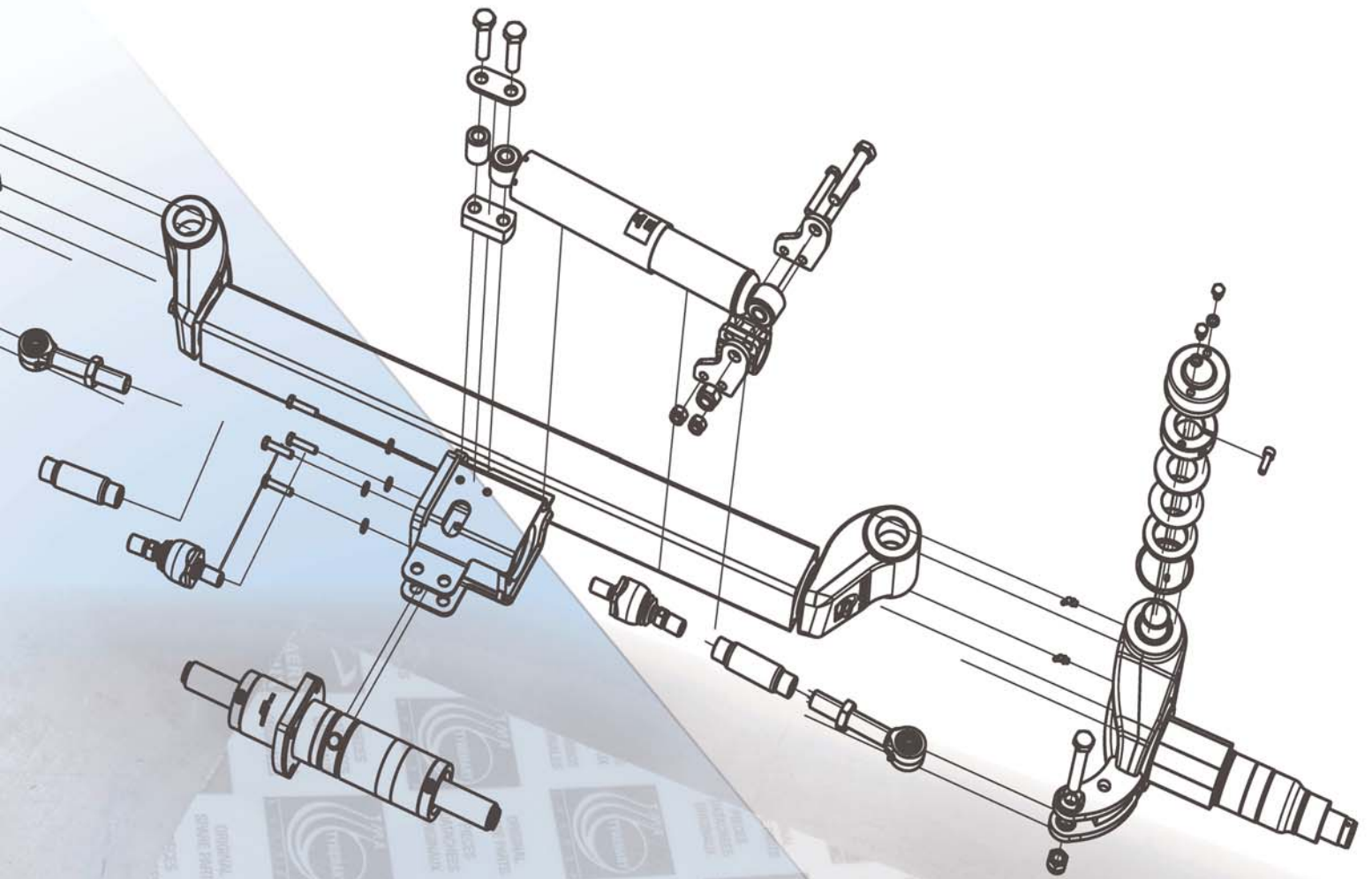
(1) - In the kit are included more sleeves for different brakes.

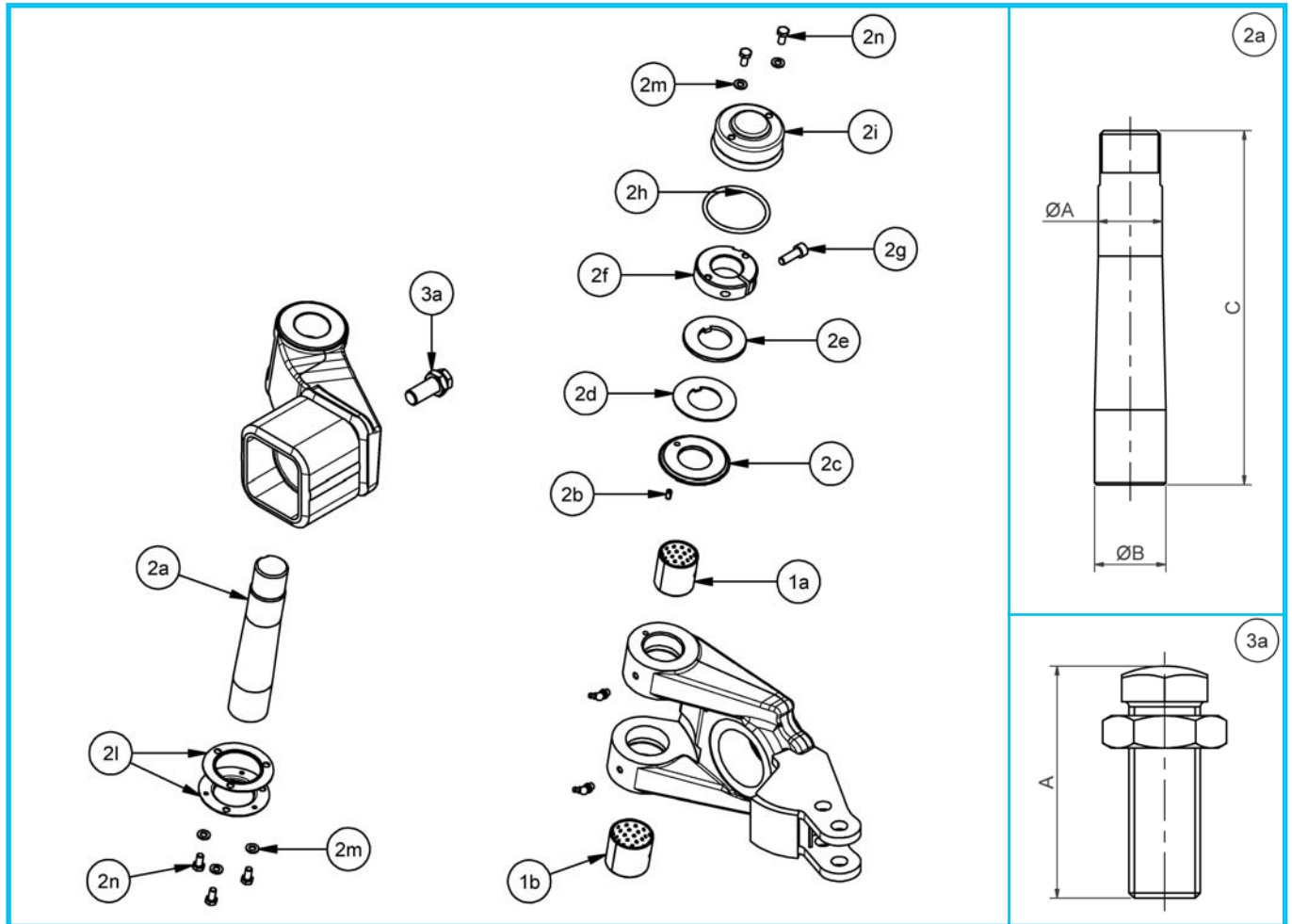
Brake cylinders



Item	Description	Code	A	B	C	Qty.	Kit code
1a	Cylinder Ø25/43 S85	813201	25	50	270	1	9RU105
2a	Pin Ø19 L85	813406	-	-	-	1	
2b	Washer Ø20	9812002	-	-	-	1	
2c	Split pin Ø3,5 L25	58110	-	-	-	1	
2d	Pin Ø14 L40	813405	-	-	-	1	
2e	Washer Ø14	9811501	-	-	-	1	
2f	Split pin Ø2,5 L25	58109	-	-	-	1	
1b	Cylinder Ø25/30 S110	813203	25	35	243	1	9RU101
3a	Pin Ø14 L101	813401	-	-	-	2	
3b	Spring Ø3,5 L185	738301	-	-	-	2	
1b	Cylinder Ø25/30 S110	813203	25	35	243	1	9RU102
4a	Pin Ø14 L40	813407	-	-	-	1	
4b	Spring Ø6,0 L147	738302	-	-	-	1	
4c	Pin Ø14 L40	813405	-	-	-	1	
4d	Washer Ø14	9811501	-	-	-	1	
4e	Split pin Ø4 L35	58107	-	-	-	1	
1b	Cylinder Ø30/37 S110	813202	30	42,4	243	1	9RU103
3a	Pin Ø14 L101	813401	-	-	-	2	
3b	Spring Ø3,5 L185	738301	-	-	-	2	
1b	Cylinder Ø30/37 S110	813202	30	42,4	243	1	9RU104
4a	Pin Ø14 L40	813407	-	-	-	1	
4b	Spring Ø6,0 L147	738302	-	-	-	1	
4c	Pin Ø14 L40	813405	-	-	-	1	
4d	Washer Ø14	9811501	-	-	-	1	
4e	Split pin Ø3 L25	58109	-	-	-	1	

Steering Axles



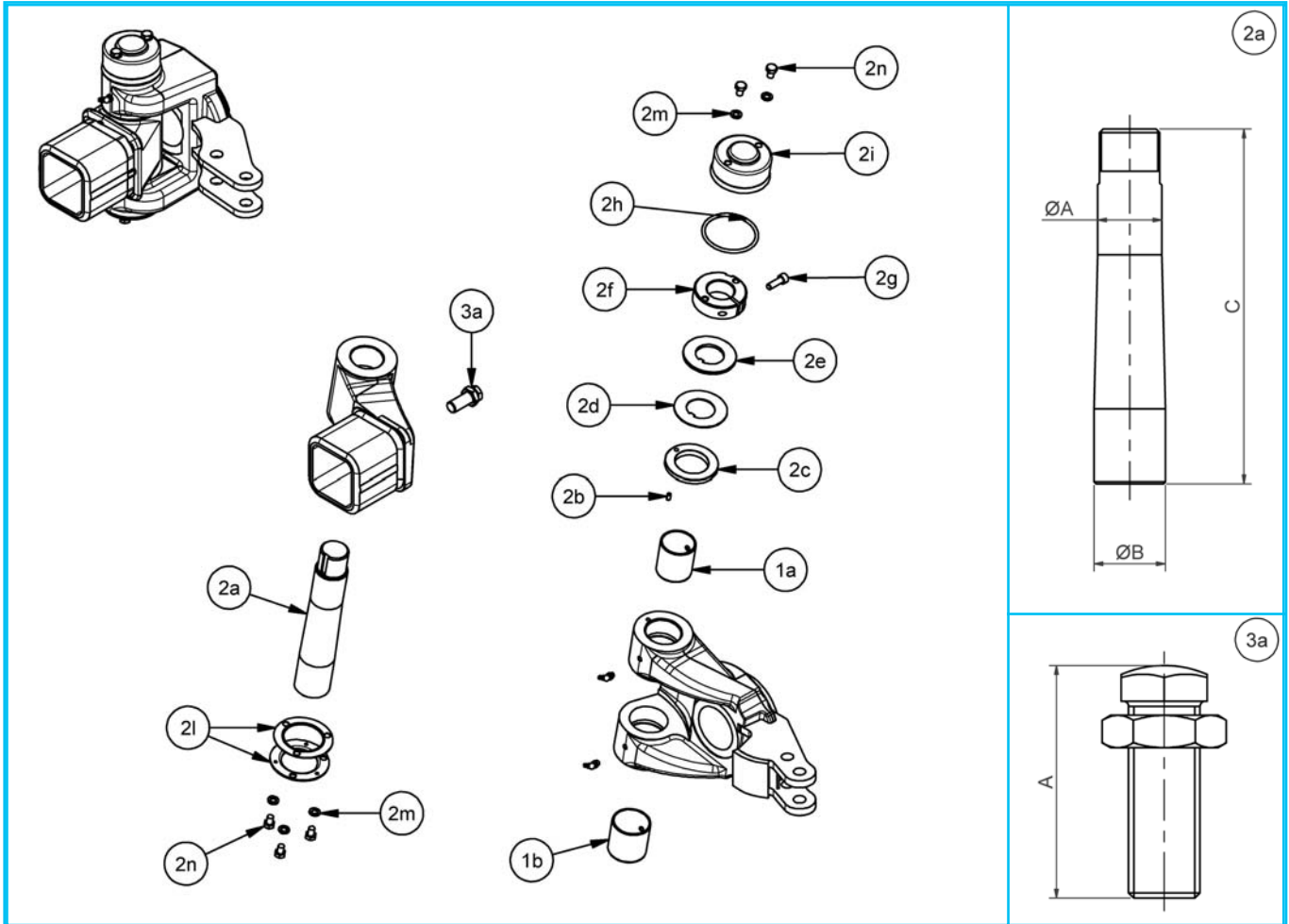


Item	Description	Code	A	B	C	Qty.	Kit code
1a	Bush Ø45/50 L45	772024	-	-	-	2	9RSM01
1b	Bush Ø50/55 L45	772023	-	-	-	2	
2a	Pivot	83205002	45	50	248	1	9RSM04
2b	Elastic pin Ø6 L12	58406	-	-	-	1	
2c	Lower washer Ø43	57D15	-	-	-	1	
2d	Middle washer Ø43	57D14	-	-	-	1	
2e	Upper washer Ø43	57D16	-	-	-	1	
2f	Ring nut M42X2,0	57642D1	-	-	-	1	
2g	Screw M10X1,5 L30	96310B0301	-	-	-	1	
2h	O-ring W5,34 Ø74,63	53107501	-	-	-	1	
2i	Cap	56704	-	-	-	1	
2l	Cap with gasket	56705	-	-	-	1	
2m	Washer Ø8	9810081	-	-	-	5	
2n	Screw M8X1,25 L16	96108A0161	-	-	-	5	
3a	Bolt M20X1,5	96820B0531	65	-	-	4	9RS101
	Bolt M20X1,5	96820B0800	80	-	-	4	9RST05

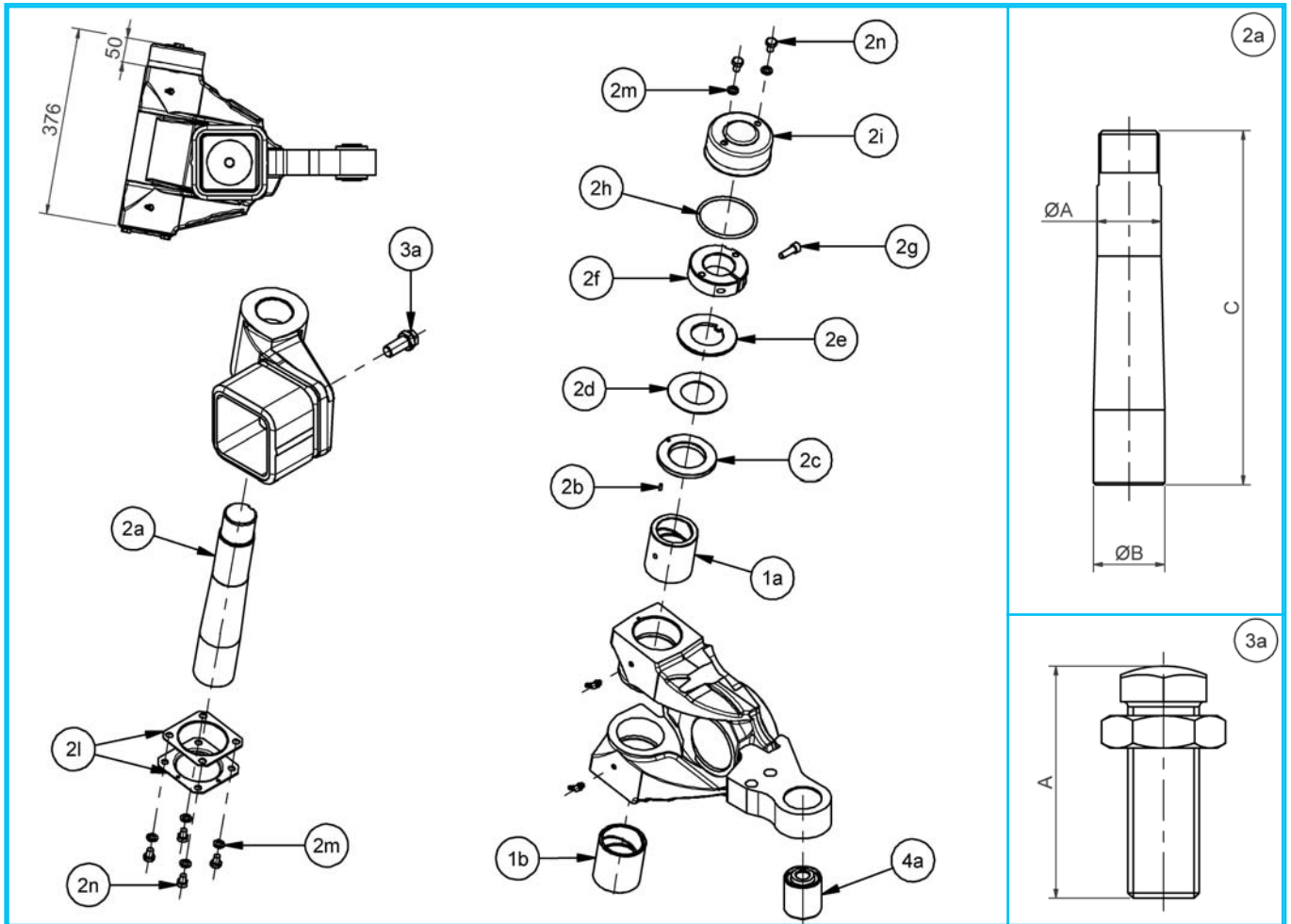
Steering axles - ST -
Power steering axles STC, STJ



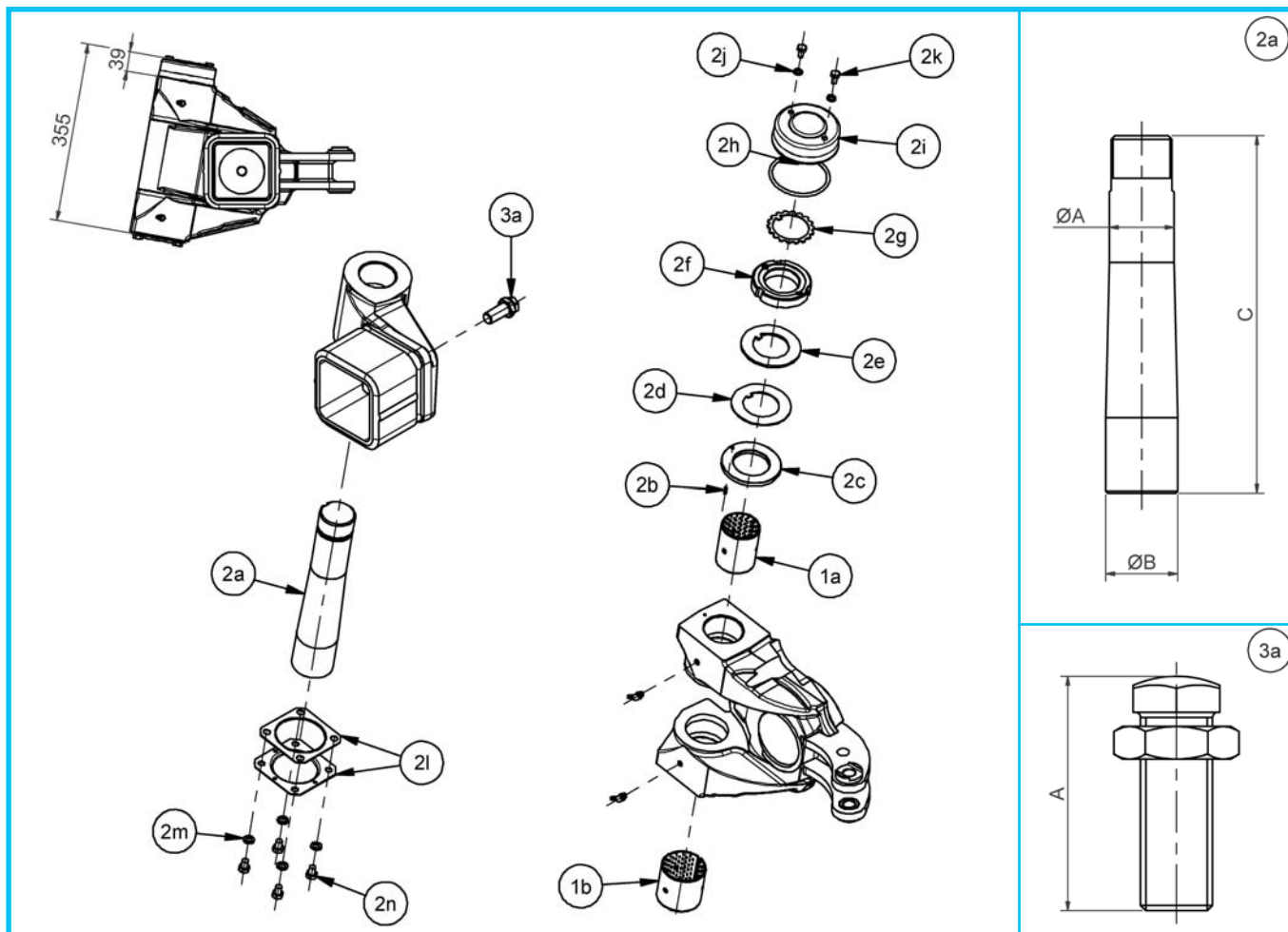
ADR - RC09/2021



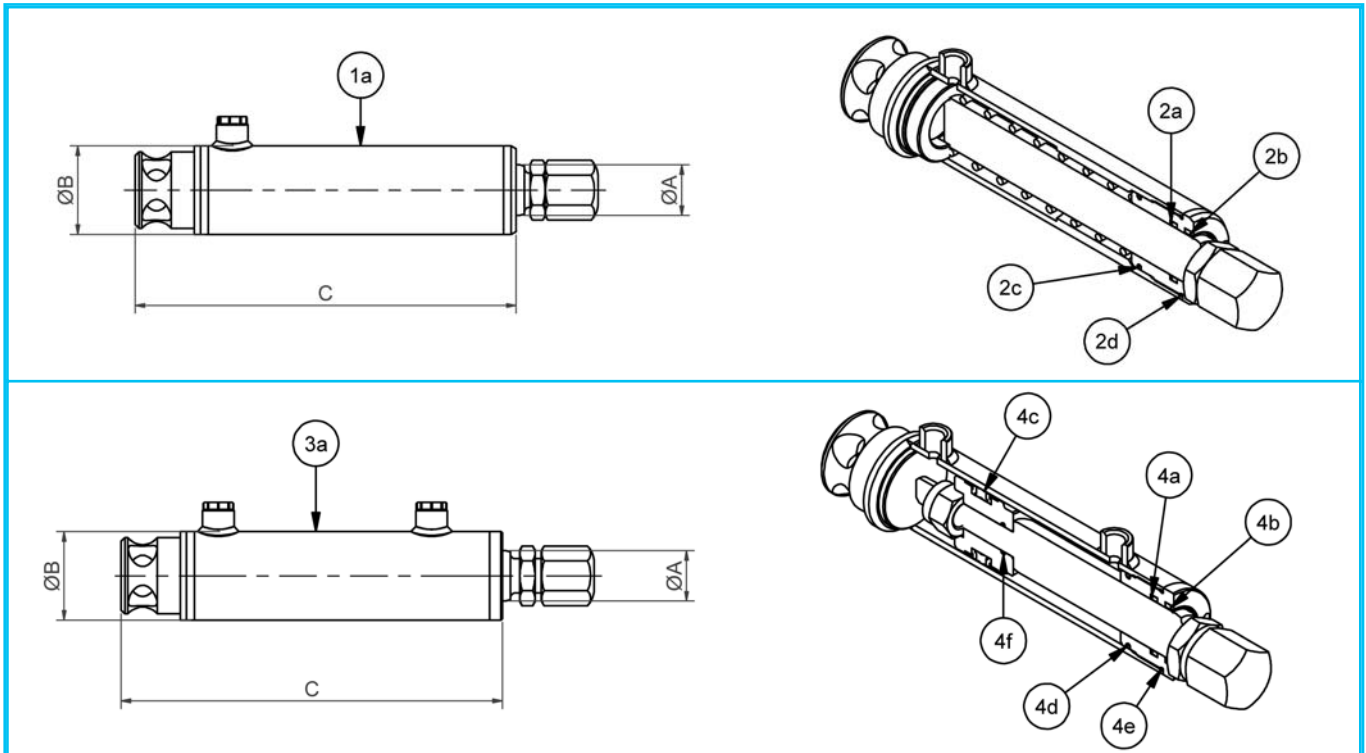
Item	Description	Code	A	B	C	Qty.	Kit code
1a	Bush Ø55/60 L65	772556501	-	-	-	2	9RST01
1b	Bush Ø60/65 L65	772606501	-	-	-	2	
2a	Pivot	83206002	55	60	314	1	9RST06
2b	Elastic pin Ø6 L12	58406	-	-	-	1	
2c	Lower washer Ø57	57D13	-	-	-	1	
2d	Middle washer Ø49	57D12	-	-	-	1	
2e	Upper washer Ø49	57D07	-	-	-	1	
2f	Ring nut M48X2,0	57648D2	-	-	-	1	
2g	Screw M10X1,5 L30	96310B0301	-	-	-	1	
2h	O-ring W5,34 Ø85,09	53108501	-	-	-	1	
2i	Cap	56701	-	-	-	1	
2l	Cap with gasket	56702	-	-	-	1	
2m	Elastic washer Ø10	9830101	-	-	-	5	9RST06
2n	Screw M10X1,5 L14	96110B0141	-	-	-	5	
3a	Bolt M20X1,5	96820B0531	65	-	-	4	9RS101
	Bolt M20X1,5	96820B0800	80	-	-	4	9RST05



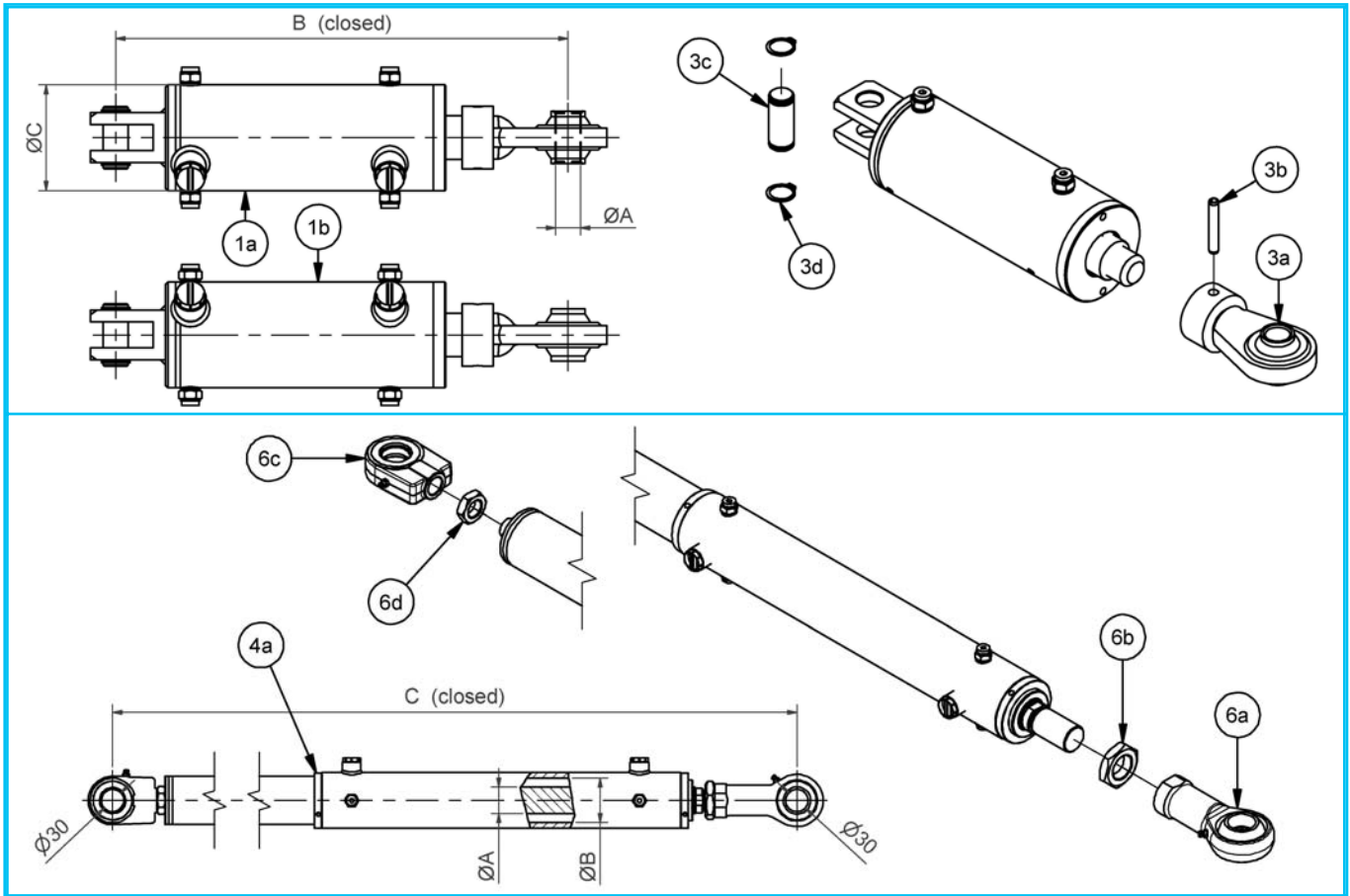
Item	Description	Code	A	B	C	Qty.	Kit code
1a	Bush Ø60/80 L85	771608501	-	-	-	2	9RSW01
1b	Bush Ø69/80 L85	771698501	-	-	-	2	
2a	Pivot	83206902	60	69	368	1	9RSW02
2b	Elastic pin Ø4 L12	58409	-	-	-	1	
2c	Lower washer Ø62	57D09	-	-	-	1	
2d	Middle washer Ø56	57D11	-	-	-	1	
2e	Upper washer Ø56	57D10	-	-	-	1	
2f	Ring nut M55X2,0	57655D2	-	-	-	1	
2g	Screw M10X1,5 L30	96310B0301	-	-	-	1	
2h	O-ring W5,34 Ø91,44	53109101	-	-	-	1	
2i	Cap	56707	-	-	-	1	
2l	Cap with gasket	56708	-	-	-	1	
2m	Elastic washer Ø10	9830101	-	-	-	6	
2n	Screw M10X1,5 L14	96110B0141	-	-	-	6	
3a	Bolt M20X1,5	96820B0531	65	-	-	4	9RS101
	Bolt M20X1,5	96820B0800	80	-	-	4	9RST05
4a	Silent block Ø22/63 L73	8226301	-	-	-	2	9RG002



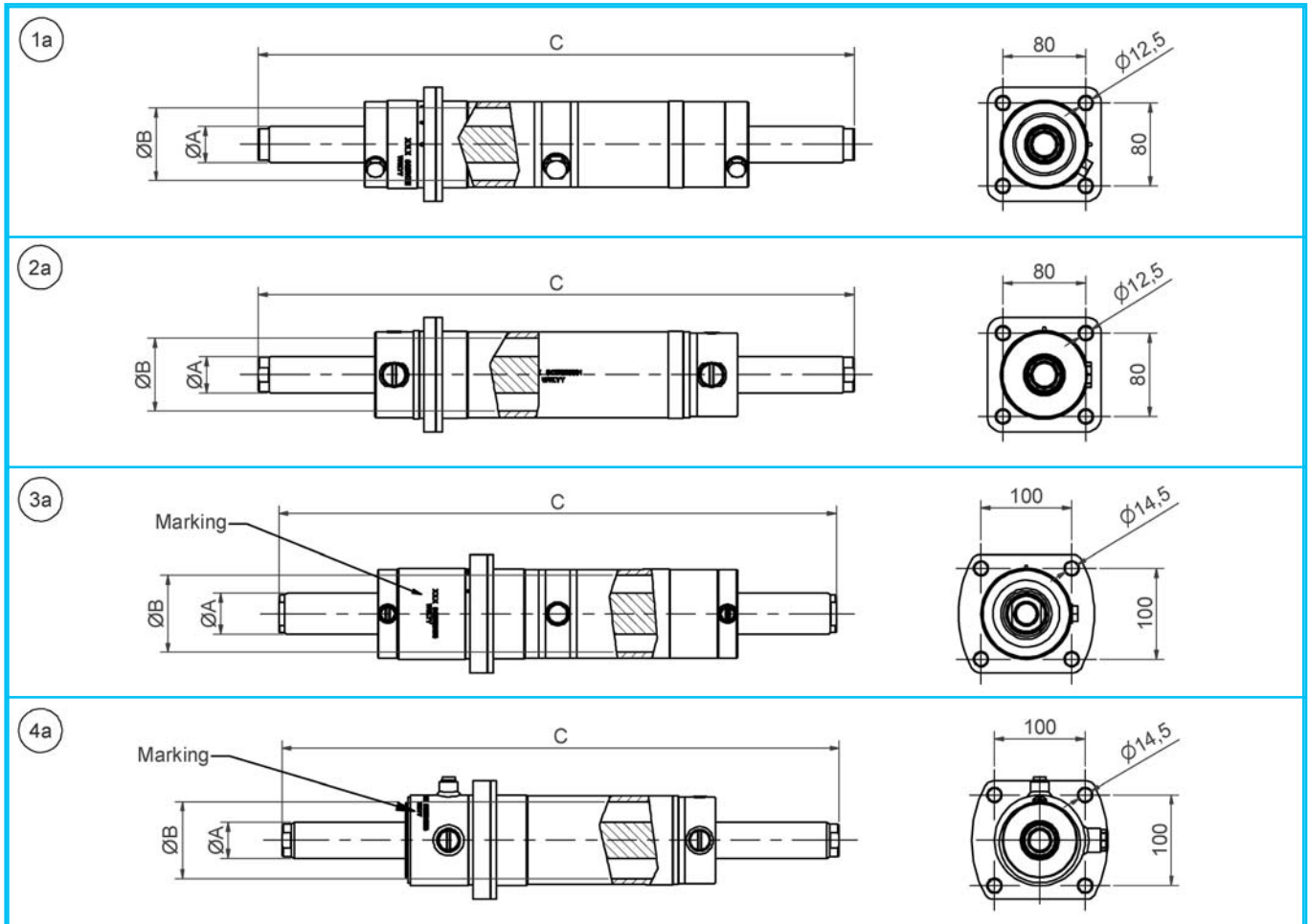
Item	Description	Code	A	B	C	Qty.	Kit code
1a	Bush Ø60/65 L80	772020	-	-	-	2	9RSW04
1b	Bush Ø70/75 L70	772021	-	-	-	2	
2a	Pivot	83207002	60	70	345	1	9RSW05
2b	Elastic pin Ø4 L12	58409	-	-	-	1	
2c	Lower washer Ø61	57D22	-	-	-	1	
2d	Middle washer Ø60	57D23	-	-	-	1	
2e	Upper washer Ø60	57D24	-	-	-	1	
2f	Ring nut M60x1,5	57660B1	-	-	-	1	
2g	Lock washer	98806002	-	-	-	1	
2h	O-ring W5,34 Ø91,44	53109101	-	-	-	1	
2i	Cap	56714	-	-	-	1	
2j	Elastic washer Ø8	9830081	-	-	-	2	
2k	Screw M8x1,25 L16	96108A0161	-	-	-	2	
2l	Cap with gasket	56708	-	-	-	1	
2m	Elastic washer Ø10	9830101	-	-	-	4	
2n	Screw M10x1,5 L14	96110B0141	-	-	-	4	
3a	Bolt M20x1,5	96820B0531	65	-	-	4	9RS101
	Bolt M20x1,5	96820B0800	80	-	-	4	9RST05



Item	Description	Code	A	B	C	Qty.	Kit code
1a	Cylinder, single acting	8116010001	40	70	302	1	8116010001
2a	Rod seal Ø40	-	-	-	-	1	9RU0001
2b	Wiper Ø40	-	-	-	1		
2c	O-ring W3,53 Ø52,4	-	-	-	1		
2d	O-ring W2,62 Ø60,0	-	-	-	1		
3a	Cylinder, double acting	8126010002	40	70	302	1	8126010002
4a	Rod seal Ø40	-	-	-	1	9RU0002	
4b	Wiper Ø40	-	-	-	1		
4c	Piston seal Ø60	-	-	-	1		
4d	O-ring W3,53 Ø52,4	-	-	-	1		
4e	O-ring W2,62 Ø60,0	-	-	-	1		
4f	O-ring W2,62 Ø20,3	-	-	-	1		
3a	Cylinder, double acting	8127010002	50	85	280	1	8127010002
4a	Rod seal Ø50	-	-	-	1	9RU0005	
4b	Wiper Ø50	-	-	-	1		
4c	Piston seal Ø70	-	-	-	1		
4d	O-ring W3,53 Ø63,1	-	-	-	1		
4e	O-ring W2,62 Ø69,5	-	-	-	1		
4f	O-ring W2,62 Ø31,4	-	-	-	1		

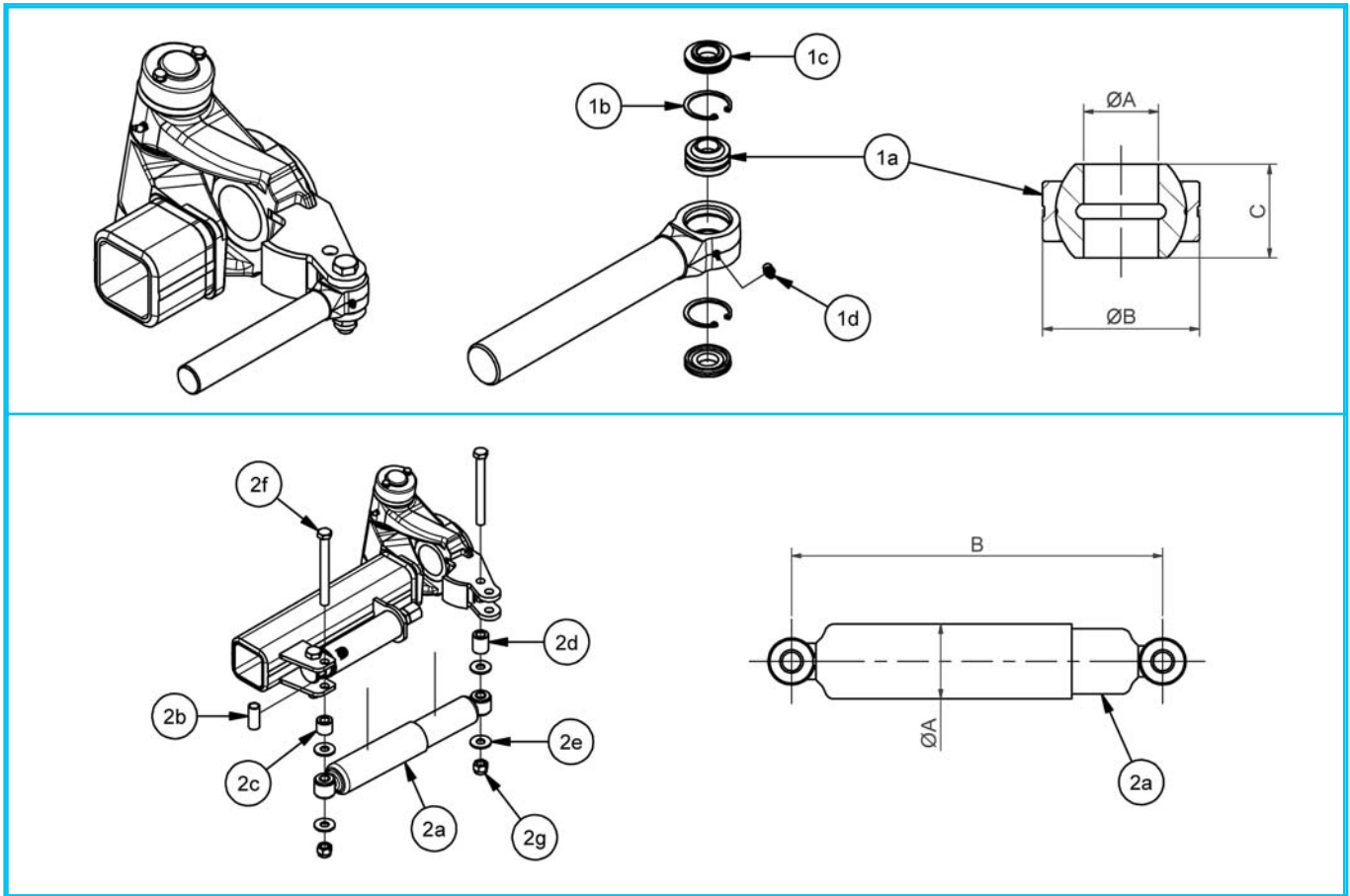


Item	Description	Code	A	B	C	Qty.	Kit code
1a	Cylinder, left side	8127011002	20	363	85	1	8127011002
	Complete set of seals for one cylinder						9RU0003
1b	Cylinder, right side	8127011003	20	363	85	1	8127011003
	Complete set of seals for one cylinder						9RU0003
3a	Ball joint M27x3,0 Ø20	98927F1	-	-	-	1	9RU202
3b	Elastic pin Ø8 L50	58407	-	-	-	1	
3c	Pin Ø20 L50	83102001	-	-	-	1	
3d	Retaining ring Ø20	58501	-	-	-	2	
4a	Cylinder, stroke 500mm (STJ)	8125550002	35	55	1394	1	8125550002
	Complete set of seals for one cylinder						9RU0017
4a	Cylinder, stroke 350mm (SMB)	8126035003	35	60	1090	1	8126035003
	Complete set of seals for one cylinder						9RU0018
4a	Cylinder, stroke 500mm (STB, SWB)	8126050002	35	60	1394	1	8126050002
	Complete set of seals for one cylinder						9RU0018
4a	Cylinder, stroke 350mm	8127035001	35	70	1090	1	8127035001
	Complete set of seals for one cylinder						9RU0024
6a	Ball joint M30x2,0 Ø30	98930D1	-	-	-	1	9RTS002
6b	Thin nut M30X2,0	97230D1	-	-	-	1	
6c	Ball joint M22x1,5 Ø30	98922B1	-	-	-	1	9RTS004
6d	Thin nut M22X1,5	97222B1	-	-	-	1	



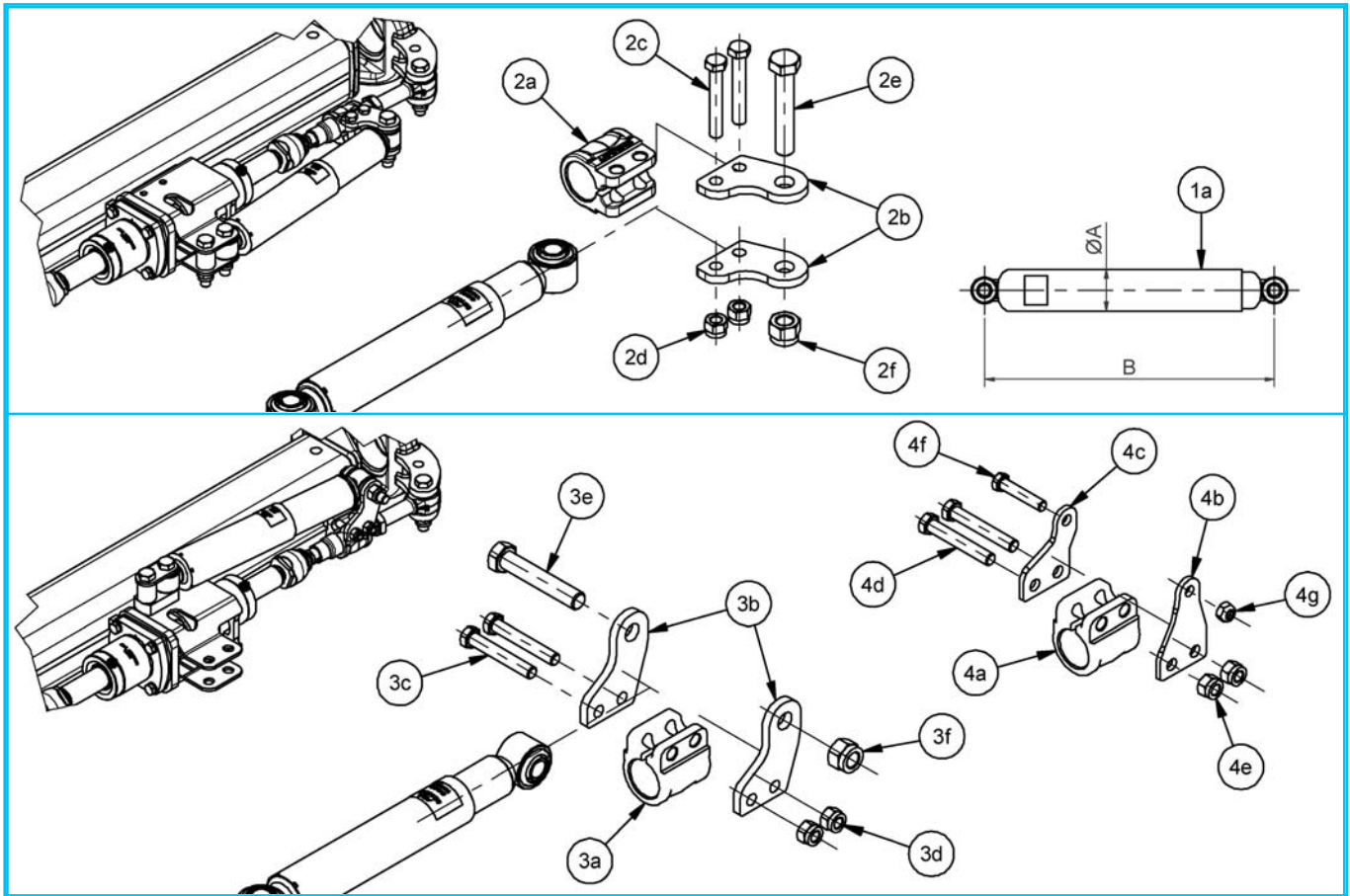
Item	Description	Code	A	B	C	Qty.	Kit code
1a	Cylinder, type SMA-P	8127017901	35	70	575	1	8127017901
	Complete set of seals for one cylinder						
2a	Cylinder, type SMB-Q	8127020301	35	70	575	1	8127020301
	Complete set of seals for one cylinder						
3a	Cylinder, type STA-P, SWA-P	8128520503	45	85	615	1	8128520503
	Complete set of seals for one cylinder						
4a	Cylinder, type STB-Q-J, SWB-Q	8128521503	40	85	615	1	8128521503
	Complete set of seals for one cylinder						

(1) - Communicate the code marked on the cylinder for identifying the correct seals kit.

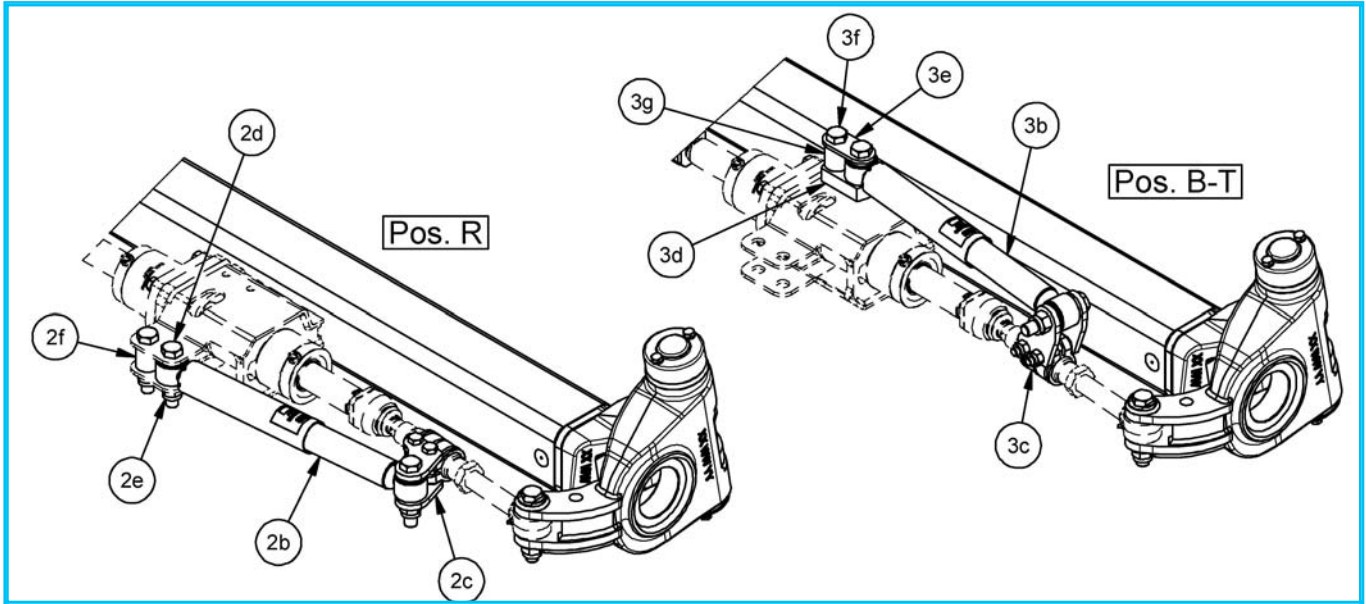


Item	Description	Code	A	B	C	Qty.	Kit code
1a	Ball joint Ø20/42	773017	20	42	25	2	9RG003
1b	Retaining ring Ø42	58505	-	-	-	4	
1c	Spacer	9850212	-	-	-	4	
1d	Grease nipple M8X1,25	98608A1	-	-	-	2	
2a	Shock absorber	8218301	80	397 / 636	-	1	8218301
2b	Spacer Ø21 L60	9850211	-	-	-	1	9RST04
2c	Spacer Ø21 L32	9850201	-	-	-	1	
2d	Spacer Ø21 L45	9850202	-	-	-	1	
2e	Washer Ø20	9812001	-	-	-	4	
2f	Screw M20X2,5 L200	96120E2001	-	-	-	2	
2g	Nut M20X2,5	97420E1	-	-	-	2	

Shock absorbers for steering axles



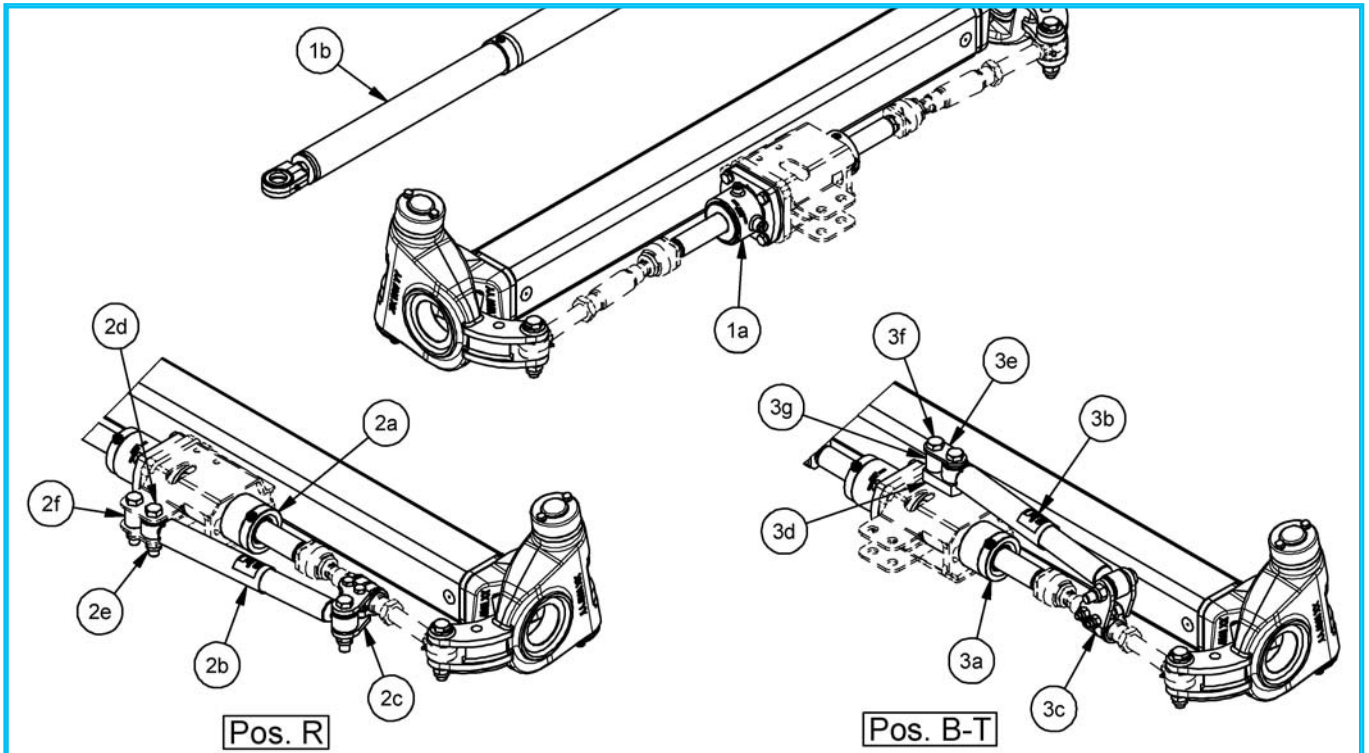
Item	Description	Code	A	B	C	Qty.	Kit code
1a	Shock absorber - 80 kg	8214501	45	310 / 530	-	1	8214501
1a	Shock absorber - 150 kg	8215502	55	396 / 638	-	1	8215502
1a	Shock absorber - 250 kg	8215501	55	396 / 638	-	1	8215501
1a	Shock absorber - 500 kg	8218301	80	396 / 637	-	1	8218301
2a	Support	46A182	-	-	-	1	9RS103
2b	Anchor plate	46A186	-	-	-	2	
2c	Screw M14x2 L90	96114D0901	-	-	-	2	
2d	Nut M14x2	97414D1	-	-	-	2	
2e	Screw M20x2,5 L110	96120E1101	-	-	-	1	
2f	Nut M20x2,5	97420E1	-	-	-	1	
3a	Support	46A182	-	-	-	1	9RS102
3b	Anchor plate	46A183	-	-	-	2	
3c	Screw M14x2 L90	96114D0901	-	-	-	2	
3d	Nut M14x2	97414D1	-	-	-	2	
3e	Screw M20x2,5 L110	96120E1101	-	-	-	1	
3f	Nut M20x2,5	97420E1	-	-	-	1	
4a	Support	46A182	-	-	-	1	9RS104
4b	Anchor plate	46A187	-	-	-	1	
4c	Anchor plate	46A188	-	-	-	1	
4d	Screw M14x2 L90	96114D0901	-	-	-	2	
4e	Nut M14x2	97414D1	-	-	-	2	
4f	Screw M12x1,75 L60	96112C0601	-	-	-	1	
4g	Nut M12x1,75	97512C1	-	-	-	1	(Only for shock absorber 8214501)



Position	Item	Description	Code	Qty.	Kit code
Pos. R	2b	Shock absorber - 150 kg	8215502	1	9RS211
	2c	Support + Anchor plate (46A182 + 46A186)		1	
	2d	Screw M20x2,5 L100	96120E1001	2	
	2e	Nut M20x2,5	97420E1	2	
	2f	Spacer	9850202	1	
Pos. R	2b	Shock absorber - 250 kg	8215501	1	9RS210
	2c	Support + Anchor plate (46A182 + 46A186)		1	
	2d	Screw M20x2,5 L100	96120E1001	2	
	2e	Nut M20x2,5	97420E1	2	
	2f	Spacer	9850202	1	
Pos. R	2b	Shock absorber - 500 kg	8218301	1	9RS209
	2c	Support + Anchor plate (46A182 + 46A186)		1	
	2d	Screw M20x2,5 L100	96120E1001	2	
	2e	Nut M20x2,5	97420E1	2	
	2f	Spacer	9850202	1	
Pos. B-T	3b	Shock absorber - 150 kg	8215502	1	9RS214
	3c	Support + Anchor plate (46A182 + 46A183)		1	
	3d	Spacer	46A172	1	
	3e	Plate	46A173	1	
	3f	Screw M20x2,5 L70	96120E0701	2	
	3g	Spacer	9850202	1	
Pos. B-T	3b	Shock absorber - 250 kg	8215501	1	9RS213
	3c	Support + Anchor plate (46A182 + 46A183)		1	
	3d	Spacer	46A172	1	
	3e	Plate	46A173	1	
	3f	Screw M20x2,5 L70	96120E0701	2	
	3g	Spacer	9850202	1	
Pos. B-T	3b	Shock absorber - 500 kg	8218301	1	9RS212
	3c	Support + Anchor plate (46A182 + 46A183)		1	
	3d	Spacer	46A172	1	
	3e	Plate	46A173	1	
	3f	Screw M20x2,5 L70	96120E0701	2	
	3g	Spacer	9850202	1	

Conversion of type of steering axle

from power steering to self steering axle
from self steering to power steering axle



Conversion to	Item	Description	Code	Qty.	Kit code
SMB or SMQ	1a	Steering cylinder	8127020301	1	9RSM05
	1b	Actuator cylinder, stroke 350mm	8126035003	1	
SMA or SMP [Pos. R]	2a	Locking cylinder	8128520503	1	9RSM06
	2b	Shock absorber - 150 kg	8215502	1	
	2c	Support + Anchor plate (46A182 + 46A186)		1	
	2d	Screw M20x2,5 L100	96120E1001	2	
	2e	Nut M20x2,5	97420E1	2	
	2f	Spacer	9850202	1	
SMA or SMP [Pos. B-T]	3a	Locking cylinder	8128520503	1	9RSM07
	3b	Shock absorber - 150 kg	8215502	1	
	3c	Support + Anchor plate (46A182 + 46A183)		1	
	3d	Spacer	46A172	1	
	3e	Plate	46A173	1	
	3f	Screw M20x2,5 L70	96120E0701	2	
	3g	Spacer	9850202	1	
STB or STQ SWB or SWQ	1a	Steering cylinder	8128521503	1	9RSB10
	1b	Actuator cylinder, stroke 500mm	8126050002	1	
STA or STP SWA or SWP [Pos. R]	2a	Locking cylinder	8128520503	1	9RSB20
	2b	Shock absorber - 500 kg	8218301	2	
	2c	Support + Anchor plate (46A182 + 46A186)		2	
	2d	Screw M20x2,5 L100	96120E1001	2	
	2e	Nut M20x2,5	97420E1	2	
STA or STP SWA or SWP [Pos. B-T]	3a	Locking cylinder	8128520503	1	9RSB18
	3b	Shock absorber - 500 kg	8218301	2	
	3c	Support + Anchor plate (46A182 + 46A183)		2	
	3d	Spacer	46A172	1	
	3e	Plate	46A173	1	
	3f	Screw M20x2,5 L70	96120E0701	2	

Note



A large area of horizontal blue lines provided for writing a note or report.



Note

A series of approximately 33 horizontal blue lines providing a space for handwritten notes.



moving innovation

Copyright © 2021 by A.D.R. S.p.A.

Nessuna parte di questo catalogo può essere riprodotta, memorizzata in un sistema di recupero o trasmessa in qualsiasi forma o con qualsiasi mezzo (elettronico, meccanico, fotocopie, o in altro modo) senza il preventivo consenso scritto di A.D.R. S.p.A. I disegni sono puramente rappresentativi. Possono non corrispondere esattamente alla realtà. A fronte di una continua ricerca tecnologica i dati possono cambiare senza preavviso. Contattare il nostro ufficio commerciale per ulteriori informazioni.

No part of this catalogue may be reproduced, stored in a retrieval system, or transmitted in any form or by any means (electronic, mechanical, photocopying, or otherwise) without the prior written permission of A.D.R. S.p.A. The drawings are purely representative. They could not correspond exactly to the reality. Because of continuous technology research data can change without notice. Please, contact our sales department for further information.

Nichts aus diesem Katalog darf ohne die schriftliche Genehmigung seitens der Firma A.D.R. S.p.A. weder reproduziert, in einem Datenerfassungssystem gespeichert oder in jeglicher Form oder mit jeglichen Mitteln übertragen werden (elektronisch, mechanisch, Fotokopien o.a.). Die Zeichnungen sind rein darstellerisch. Möglicherweise entsprechen sie nicht immer der Realität. Auf Grund ständiger technischer Forschungen können sich die Daten ohne Voranmeldung ändern. Kontaktieren Sie bitte für weitere Informationen unser Verkaufsbüro.

Aucune partie du présent catalogue ne peut être reproduite, enregistrée dans un système de récupération des données ou transmise sous quelque forme que ce soit ou par quelque moyen que ce soit (électronique, mécanique, photocopies, ou d'une autre manière) sans l'accord préalable écrit de la société A.D.R. S.p.A. Les dessins ne sont fournis qu'à titre d'illustration. Ils peuvent ne pas correspondre exactement à la réalité. En raison d'une recherche technologique continue, les données peuvent être modifiées sans préavis. Contactez notre service commercial pour de plus amples informations.

Edition October 2021



To enjoy the advantages of the **“Only Original”** Spare Parts System is easy and fast!



**ADR s.p.A.**

Via Antonio Maria Ceriani, 96 - 21040 Uboldo (VA) ITALY
 Tel. +39 02 961711 - Fax +39 02 96171420
 adr@adraxles.com - www.adraxles.com

**COLAERT ESSIEUX**

11 bis Route Nationale 59189 Steenbecque FRANCE
 Tel. +33 3 28 43 85 50 - Fax +33 3 28 43 68 63
 commercial@colaertessieux.fr - www.colaertessieux.fr

**ADR Polska**

ul. Bieszczadzka 5, 38-540 Zagórz, POLAND
 Tel. +48 13 46 89 333 - Fax +48 13 46 89 368
 atw@atwsystem.pl - www.adrosie.pl

**ADR UK** - Tyremart Agricultural Ltd

Main Road, Long Bennington, Newark, Notts, NG235DJ GREAT BRITAIN
 Tel. +44 1400 28 38 20 - Fax +44 1400 28 31 37
 info@tyremartagri.co.uk - www.adraxles.com

**ADR GEPLASMETAL sa**

Pol. Malpica c/ J n°1 - 50.016 Zaragoza SPAIN
 Tel. +34 976 46 52 54 - Fax. +34 976 57 11 32
 info@adrgeplasmetal.com - www.adrgeplasmetal.com

**ADR Axles USA Inc.**

910 Tryon Hill Drive, Suite 300, Raleigh, N.C. 27603, USA
 Tel. +1 336 480-4234
 adr@adraxlesusa.us - www.adraxles.com

**OMEGA Drives Inc.**

7A-845 Lagimodiere Blvd. Winnipeg, Manitoba R2J 3M2 CANADA
 Tel. +1 204 453 24 77 - Fax +1 204 453 24 78
 info@omegadrives.com - www.omegadrives.com

**ADR EIXOS BRASIL Ltda**

Rua Nelson Colela, 105 Ribeirão Preto SP, CEP: 14072-068, BRASIL
 Tel. +55 16 3617.3079
 info@adreixos.com.br - www.adraxles.com.br

**ADR China** - Qingdao ADR Axles Manufacturing Co., Ltd.

Lingang Road No.2468, Huangdao District, Qingdao City,
 Shandong Province - Post Code 266400 CHINA
 Tel. +86 532 86 19 66 36 - Fax +86 532 86 19 65 01
 info@adrsystem.cn - www.adraxles.cn

**ADR Axles India Pvt. Ltd.**

Plot No-I-10, Khed City Industrial Park City, DTA,
 Village - Kanhersar, Rajguru Nagar, Pune
 410505 | Maharashtra | INDIA
 info@adraxles.in - www.adraxles.in

**ADR Australia Pty Ltd**

1/11 Warrior Place, St. Marys N.S.W 2760 - AUSTRALIA
 Tel. 02 96 23 05 12 - Fax 02 96 23 05 05
 admin@adraust.com.au - www.adraust.com.au

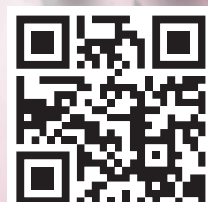
**C.L.M. S.r.l.**

Zona industriale, 26 - 33049 S.Pietro al Natisone (UD) ITALY
 Tel. +39 432 72 78 51 - Fax +39 432 72 78 52
 clm@adraxles.com - www.clmwheels.com

**SAE-SMB INDUSTRIES**

Route de Cliron 08090 Ham-les-Moines FRANCE
 Tél: +33 3 24 59 54 54 Fax: +33 3 24 54 81 58
 contact@sae-smb.fr - www.sae-smb.com

ADR group



www.adraxles.com